



fitted with

work equipment

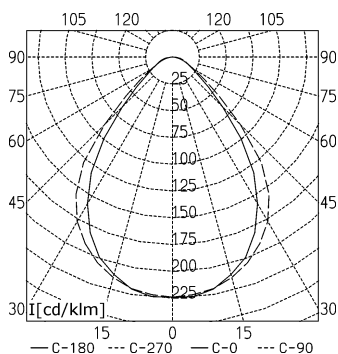
- connected load**
- power consumption**
- glare-free**
- class of protection**
- technology**
- usage**
- luminaire body**
- material
- colour
- tubular sections**
- material
- surface
- colour
- balance of articulation joints**
- weight (net)**
- mains lead**
- fastening**

- 1 x compact fluorescent lamp TC-SEL 11W/840 2G7
- light colour neutral white, 4000 K, Color Rendering Index (CRI) >= 82
- Energy efficiency category A
- electronic ballast in housing
- Energy efficiency index (EEI): A3
- 230-240 V; 50-60 Hz
- approx. 12 W
- structured screen
- II
- switchable
- rocker switch

- plastic
- aluminium coloured anodised

- tubular aluminium section
- anodized
- aluminium coloured anodised
- gas pressure spring
- approx. 1.0 kg
- approx. 3.4 m; European plug style CEE 7/XVII
- table base (accessory), table clamp

distribution of luminous intensity



illuminance

measuring conditions: d=50cm

E_{min}: 239 lx
 E_m: 529 lx
 E_{max}: 810 lx

