



MOTION
COMPOSITES



MANUAL
WHEELCHAIR

OPTIONS AND ACCESSORIES GUIDE



NO MATTER WHAT YOU NEED,
WE'VE GOT YOU COVERED

Our manual wheelchair options and accessories guide lets you explore the numerous choices available to tailor your wheelchair to your specific needs, while also offering elegant enhancements that truly reflects who you are.

GO BEYOND



INDEX

06	07	10	12	13	14	15	16	18	19	21	22	23	24	26
CASTERS	FOOTRESTS/ FOOTPLATES	BACK CANES	BACK UPHOLSTERY	ONE ARM DRIVE	REAR WHEELS	TIRES	HANDRIMS	AXLES	WHEEL LOCKS	ARMRESTS	SIDE GUARDS	POSITIONING BELTS	ACCESSORIES	FRAME COLORS



CASTERS

CA01 →
Composite wheel w/PU tire (1" width)



CA01 (3") CA01 (4") CA01 (5") CA01 (6") CA01 (7") CA01 (8")

CA10 →
Pneumatic casters 6" x 1 1/4"



CA10 (6") CA11 (8")

CA11 →
Pneumatic casters 8" x 1 1/4"

CA14 to CA16 →
Newton UltraCaster Soft-Roll composite
4", 5", 6" x 1 1/2"



CA14 (4") CA15 (5") CA16 (6")

CA17 to CA19 →
Newton UltraCaster Soft-Roll aluminum
4", 5", 6" x 1 1/2"



CA17 (4") CA18 (5") CA19 (6")

OPTION



CA13 →
Carbon fiber Frog Legs
suspension forks – Phase 2



FOOTRESTS / FOOTPLATES

RIGID WHEELCHAIR FOOTRESTS



FP12 ↑
Tubular open loop



FP13 ↑
Tubular with ABS footplate



FP31 ↑
Adjustable angle –
Aluminum (one piece)



FP32 ↑
Adjustable angle – Carbon fiber with
rubber inserts (one piece)



Flip back position



FP15 ↑
Flip back, adjustable angle – Carbon with rubber inserts (one piece)
FP14 Flip back, adjustable angle – Aluminum (one piece)

FR26 ↑
High mount with adjustable angle footplate – Carbon fiber with rubber inserts (one piece)
FR25 High mount with adjustable angle footplate – Aluminum (one piece)

FOLDING WHEELCHAIR FOOTRESTS



FR03 to FR08, FR15 ↑
Swing-in/swing-out footrest
FR01, FR02 Swing away footrest



FR09 ↑
High mount (footplate attached to the hanger with clamps)



FR10 ↑
Elevating legrest with calf pad, 14"-22" length adjustable



FR27 to FR30 ↑
Residual limb support (flat cushion)



FR32, FR33 ↑
Residual limb support (contoured)

FOOTPLATES



FP01 ↑
Standard – Composite



FP02 ↑
Newton adjustable angle – Aluminum



FP03 ↑
Newton adjustable angle – Composite



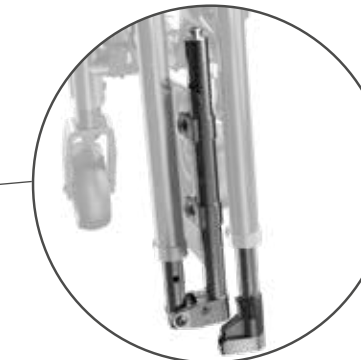
FP04 ↑
Newton adjustable angle – Carbon fiber with rubber inserts



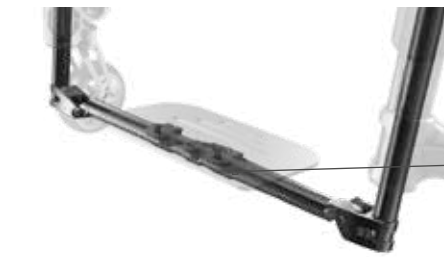
FP05 ↑
Newton adjustable angle extra deep – Aluminum



FP06, FP07 ↑
One piece adjustable angle flip-up



Folded position



FP28, FP29 ↑
One piece auto-folding adjustable angle



Folded Position

FOOTREST/FOOTPLATE ACCESSORIES



FP16 ↑
2" riser



FP08 ↑
Length adjustable heel loop



FP09 ↑
Calf strap



FP30 ↑
Bodypoint Aeromesh padded calf strap

BACK CANES

RIGID WHEELCHAIRS

FOLD DOWN BACKRESTS



BC20 ↑
Locking backrest



BC21 ↑
Ultralight non locking backrest
(not locking in upright or
down position)



BC56 ↑
Depth adjustable back
(provides 3" of depth adjustment)

FOLDING WHEELCHAIRS

DEPTH ADJUSTABLE BACK



BC09 ↑ showed
Not available in the US



BC15 ↑ showed

BACK CANE OPTIONS

BACKREST OPTIONS



← BC57
Standard 3" deep rigidizer bar -
Carbon



← BC57
Standard 3" deep rigidizer bar - Aluminum
BC55 4" deep rigidizer bar - Aluminum

PUSH HANDLE OPTIONS



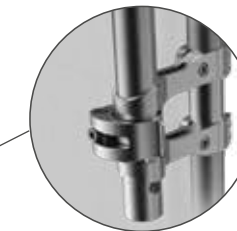
PH05 ↑
Fold down push handles



Fold down position



PH06 ↑
Clamp on height adjustable push handle



Clamp detail

STROLLER HANDLE AND STABILIZER OPTIONS



← PH04
Stroller handle
Not available with the HD option



← PH03
Newton folding stabilizer bar

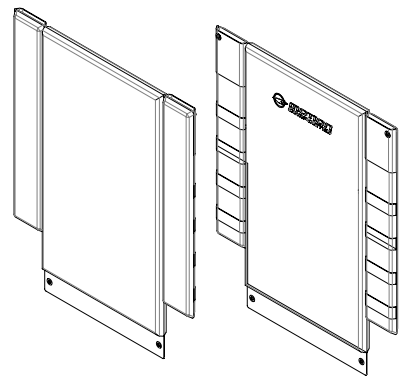


Folded position

For the complete back canes overview, please refer to the compatibility table on page 28.

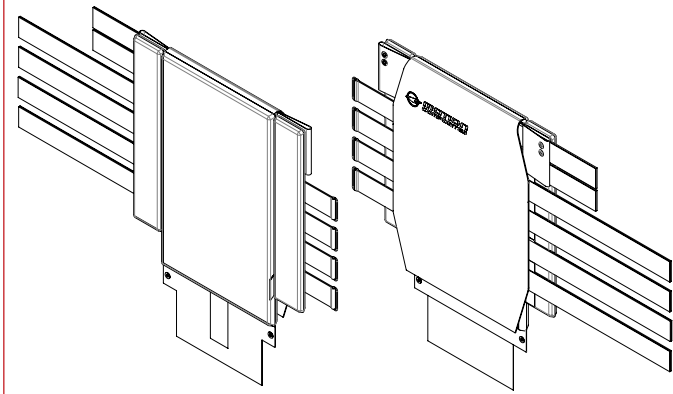


BACK UPHOLSTERY



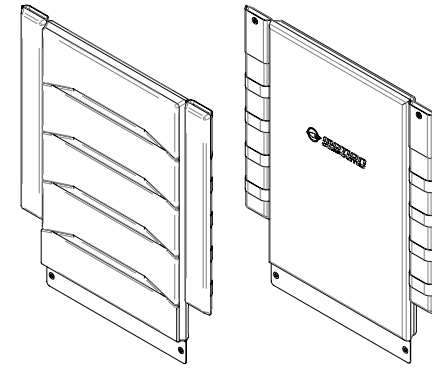
Front Back

BH05 ↑
Slip-on Nylon back upholstery



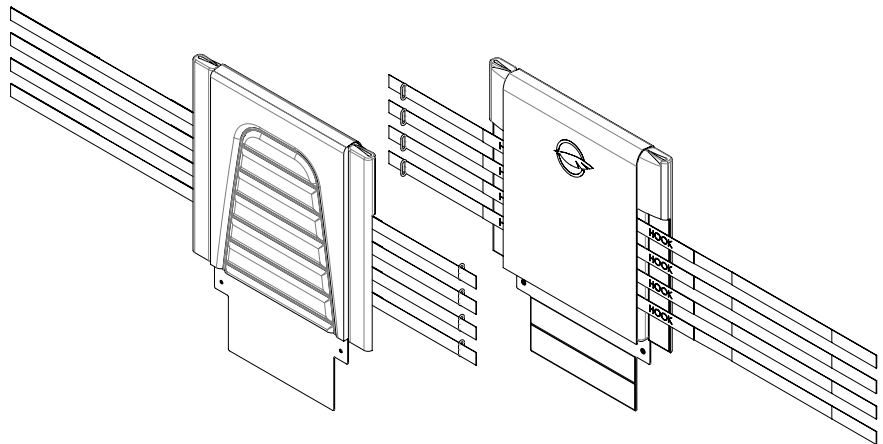
Front Back

BH06 ↑
Adjustable tension Nylon back upholstery



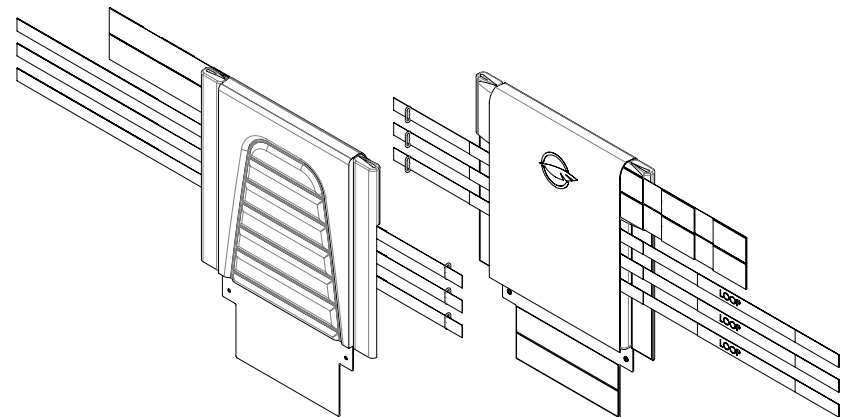
Front Back

BH07 ↑
Slip-on Active-Mesh back upholstery



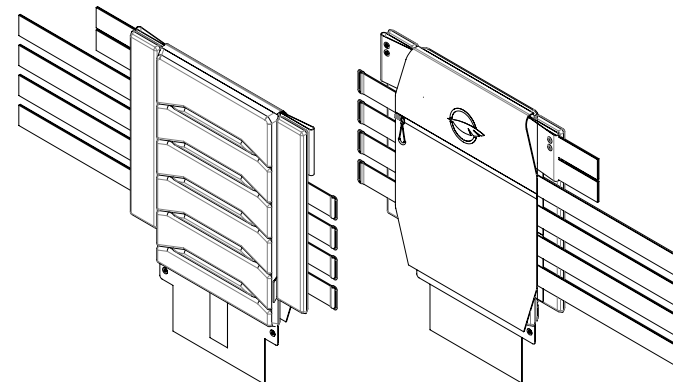
Front Back

BH03 ↑
Slip-on Syntech-Suede back upholstery



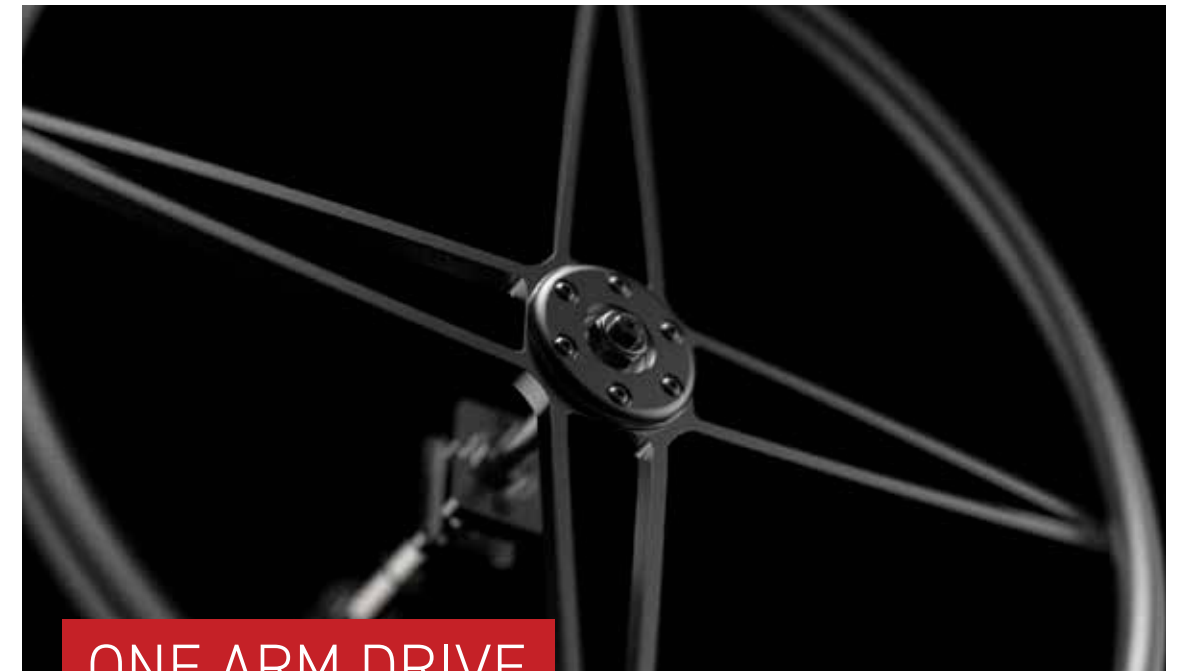
Front Back

BH04 ↑
Adjustable tension Syntech-Suede back upholstery



Front Back

BH08 ↑
Adjustable tension Active-Mesh back upholstery



ONE ARM DRIVE



HR22 ↑
One arm drive 24"



REAR WHEELS



RW01 ↑
Mag



RW02 ↑
Newton One - Spoke wheel



RW03 ↑
Newton Gravity - Ultralight wheel



RW04 ↑
SpinerGY Spox*



RW05 ↑
SpinerGY LX*



RW07 ↑
SpinerGY CLX Carbon Blade*

* Different colors are available for the SpinerGY rear wheels.



TIRES



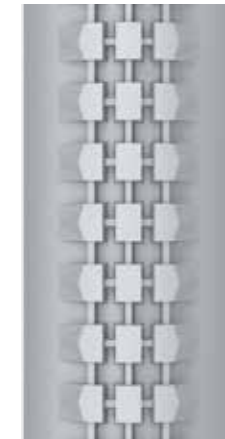
TI01 ↑
Soft Urethane 1 1/4"



TI02 ↑
Soft Urethane -
Knobby 1 3/8"



TI04 ↑
Soft Urethane -
Shox 1"



TI05 ↑
Pneumatic 1 3/8"
TI08 Pneumatic with
Airless insert 1 3/8"




TI06 ↑
Pneumatic HP 1"



TI07 ↑
Pneumatic HP
Schwalbe
Marathon Plus 1"



HANDRIMS

 **HR07 to HR18** →
 Newton Air Grip:
 Black, Sunkissed Orange,
 Burgundy, Sapphire Blue,
 Monster Green, Charcoal,
 Fuchsia, Steel Blue,
 Ferrari Red, Acid Green,
 Electric Purple, Caribbean Blue,
 White, Pink Pearl, Plum Purple,
 Sky Blue, Black Cherry,
 Khaki Green, Desert Sand



HR01 ↑
Aluminum anodized



HR61 ↑
Black aluminum
hard anodized



HR02 ↑
Plastic coated



HR03 ↑
High friction coated



HR05 ↑
Surge LT
HR28 Surge



HR04 ↑
Natural Fit (shown with optional
thumb standard grip (HR23))



HR62 ↑
TOUR H - 1 5/16" oval handrim
with high friction strip



HR63 ↑
NOVA H - 1 1/4" oval handrim
with high friction strip



HR64 ↑
OPTIMUM H - 1 1/8" heart-
shaped handrim



AXLES



AX01 ↑
Quick release axle



AX02 ↑
Permanent axle



AX03 ↑
Quad release axle



AX04 ↑
Amputee adjustable axle plate



WHEEL LOCKS



WL08 ↑
Newton wheel lock – push to lock



WL02 ↑
Pull to lock



WL04 ↑
Newton grade aid push to lock (suggested with pneumatic or high pressure tire)



WL13 ↑
6" removable extension handle for grade-aid and pull to lock



WL14 ↑
6" removable extension handle for Newton push to lock



WL05 ←
Scissor lock



WL06 ↑
Attendant lock (additional set of wheel lock mounted to the back)

ARMRESTS



AR02 ↑
Flip back armrest shown with 14" full length arm pad



AR04 ↑
"T" armrest shown with 14" full length arm pad



AR14 ↑
"T" armrest shown with 14" full length arm pad



AR05 ↑
Swing-away armrest with tubular arm pad



AR06 ↑
Swing-away armrest with 10" desk length arm pad



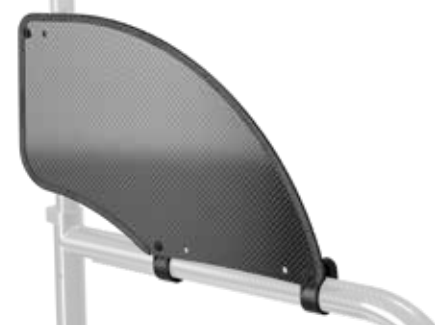
AR07 ↑
Locking flip-up armrest

* Most of these armrests are available with the 10" desk length arm pad and with 14" full length arm pad. Please check the availability table on page 30.

SIDE GUARDS



SG01 ↑
Plastic side guards (removable)



SG02 ↑
Carbon fiber side guards (fixed)



SG03 ↑
Carbon fiber side guards (removable)



SG06 ↑
Plastic fender side guards (removable)



SG04 ↑
Carbon fiber fender side guards (removable)

OPTION



SG07 ↑
Side guard clip

POSITIONING BELTS



SB01 ↑
Velcro adjustable



SB02 ↑
Auto buckle



SB05 ↑
BodyPoint Hip Belt - 2 point padded



SB06 ↑
BodyPoint Hip Belt - 4 point padded



SB08 ↑
BodyPoint EVOFLEX® Positioning Belt Rehab latch and Band Clamps

ACCESSORIES



AC03 ↑
Anti tippers



AC27 ↑
Tip assist



AC06 ↑
Cane carrier



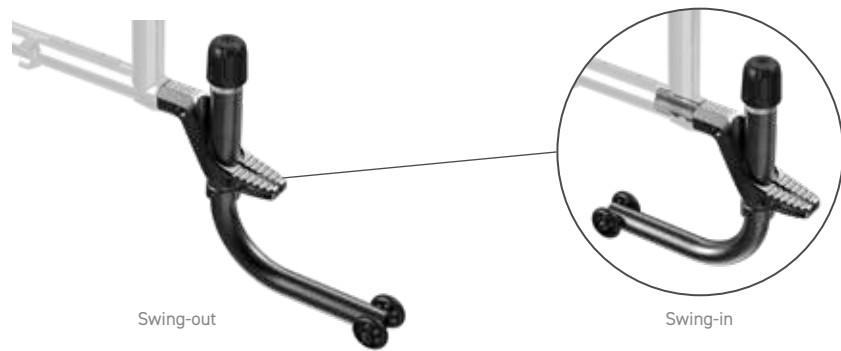
AC07 ↑
Oxygen tank holder - D & E type (left)



AC08 ↑
Spoke guards (pair)



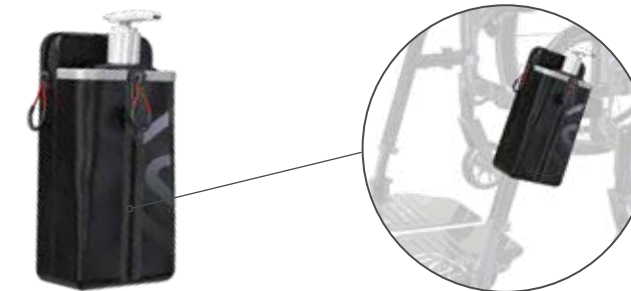
AC09 ↑
Footrest neoprene impact guard (pair) - shown in red



AC29 ↑
Swing away anti-tipper



AC10 ↑
Seat pouch



AC30 ↑
Newton sanitizing multi-purpose pouch



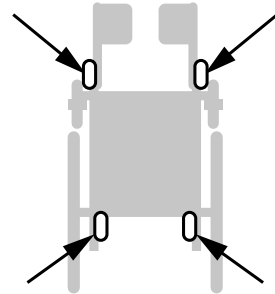
AC26 ↑
BodyPoint mobility bag



AC04 ↑
Transit tie down (unoccupied)



Rear



Tie down location



AC23 ↑
Newton backpack

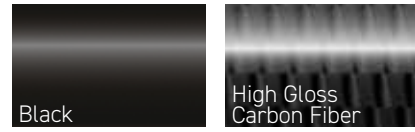


AC13 ↑
Tool kit



AC16 ↑
Motion Composites polo shirt

FRAME COLORS



Black or High Gloss Carbon Fiber
(if carbon fiber frame)



*The above frame colors are available for all wheelchair models except the Apex A

Custom color
Motion Composites can match any desired color.

ACCENT COLORS

* Available on Apex and Veloce only.



Black



Sunkissed Orange



Fuchsia



Ferrari Red



Acid Green



White



Sky Blue

COMPATIBILITY TABLE

■ AVAILABLE ■ NOT AVAILABLE

APEX VELOCE HELIO C2 HELIO A7 HELIO A6 MOVE¹ HELIO KIDS¹

CASTERS

CA01	Composite wheel w/PU tire 3", 4", 5", 6", 7", 8" x 1"	■	■	■	■	■	■	■
CA10	Pneumatic casters 6" x 1½"	■	■	■	■	■	■	■
CA11	Pneumatic casters 8" x 1½"	■	■	■	■	■	■	■
Ⓞ CA14 to CA16	Newton UltraCaster Soft-Roll composite 4", 5", 6" x 1½"	■	■	■	■	■	■	■
Ⓞ CA17 to CA19	Newton UltraCaster Soft-Roll aluminum 4", 5", 6" x 1½"	■	■	■	■	■	■	■

CASTER OPTIONS

CA12	Caster pin lock	■	■	■	■	■	■	■
CA13	Carbon fiber Frog Legs suspension forks Pase 2	■	■	■	■	■	■	■

FOOTRESTS/FOOTPLATES

Rigid wheelchair – Footrests

FP12	Tubular open loop	■	■	■	■	■	■	■
FP13	Tubular with ABS footplate	■	■	■	■	■	■	■
FP31	Adjustable angle – Aluminum (one piece)	■	■	■	■	■	■	■
FP32	Adjustable angle – Carbon fiber with rubber inserts (one piece)	■	■	■	■	■	■	■
FP14	Flip back, adjustable angle – Aluminum (one piece)	■	■	■	■	■	■	■
FP15	Flip back, adjustable angle – Carbon fiber with rubber inserts (one piece)	■	■	■	■	■	■	■
FR25	High mount with adjustable angle footplate – Aluminum (one piece)	■	■	■	■	■	■	■
FR26	High mount with adjustable angle footplate – Carbon fiber with rubber inserts (one piece)	■	■	■	■	■	■	■

¹ Not available in USA.
Note: The availability of options and accessories may vary depending on your region. Refer to the order form.

Folding wheelchair – Footrests

		APEX	VELOCE	HELIO C2	HELIO A7	HELIO A6	MOVE	HELIO KIDS ¹
FR01, FR02	Swing away footrest	■	■	■	■	■	■	■
FR03 to FR08, FR15	Swing-in/swing-out footrest	■	■	■	■	■	■	■
FR09	High mount (footplate attached to the hanger with clamps)	■	■	■	■	■	■	■
FR10	Elevating legrest with calf pad, 14"-22" length adjustable	■	■	■	■	■	■	■
FR27 to FR30	Residual limb support (flat cushion)	■	■	■	■	■	■	■
FR32, FR33	Residual limb support (contour cushion)	■	■	■	■	■	■	■

Footplates

		APEX	VELOCE	HELIO C2	HELIO A7	HELIO A6	MOVE	HELIO KIDS ¹
FP01	Standard – Composite	■	■	■	■	■	■	■
FP02	Newton adjustable angle – Composite	■	■	■	■	■	■	■
FP03	Newton adjustable angle – Aluminum	■	■	■	■	■	■	■
FP04	Newton adjustable angle – Carbon fiber with rubber inserts	■	■	■	■	■	■	■
FP05	Newton adjustable angle extra deep – Aluminum	■	■	■	■	■	■	■
FP06, FP07	One piece adjustable angle flip-up – Aluminum, carbon fiber with rubber inserts	■	■	■	■	■	■	■
FP28, FP29	One piece auto-folding adjustable angle – Aluminum, carbon fiber with rubber inserts	■	■	■	■	■	■	■

FOOTPLATE ACCESSORIES

		APEX	VELOCE	HELIO C2	HELIO A7	HELIO A6	MOVE	HELIO KIDS ¹
FP16	2" riser	■	■	■	■	■	■	■
FP08	Length adjustable heel loop	■	■	■	■	■	■	■
FP09	Calf strap	■	■	■	■	■	■	■
FP30	Bodypoint Aeromesh padded calf strap	■	■	■	■	■	■	■

BACK CANES

Fixed angle back – with integrated fixed height push handles

		APEX	VELOCE	HELIO C2	HELIO A7	HELIO A6	MOVE	HELIO KIDS ¹
BC58	Straight aluminum back cane	■	■	■	■	■	■	■
BC01	8° bend aluminum back cane	■	■	■	■	■	■	■

Adjustable angle back – with integrated fixed height push handles

		APEX	VELOCE	HELIO C2	HELIO A7	HELIO A6	MOVE	HELIO KIDS ¹
BC02	8° bend aluminum back cane	■	■	■	■	■	■	■

Fixed angle back – fixed height without option

		APEX	VELOCE	HELIO C2	HELIO A7	HELIO A6	MOVE	HELIO KIDS ¹
BC03	Straight carbon fiber back cane	■	■	■	■	■	■	■
BC04	8° bend carbon fiber back cane	■	■	■	■	■	■	■

Fixed angle back – height adjustable with options

		APEX	VELOCE	HELIO C2	HELIO A7	HELIO A6	MOVE	HELIO KIDS ¹
BC06	Straight carbon fiber back cane height adjustable	■	■	■	■	■	■	■
BC08	8° bend carbon fiber back cane height adjustable	■	■	■	■	■	■	■
BC11	Straight aluminum back cane height adjustable	■	■	■	■	■	■	■
BC12	8° bend aluminum back cane height adjustable	■	■	■	■	■	■	■

Adjustable angle back – height adjustable with options

		APEX	VELOCE	HELIO C2	HELIO A7	HELIO A6	MOVE	HELIO KIDS ¹
BC13	Adjustable angle, straight aluminum back cane	■	■	■	■	■	■	■
BC14	Adjustable angle, 8° bend aluminum back cane	■	■	■	■	■	■	■
BC09	Angle adjustable, straight carbon fiber back cane	■	■	■	■	■	■	■
BC10	Angle adjustable, 8° bend carbon fiber back cane	■	■	■	■	■	■	■

Adjustable back – depth and angle adjustable with options

		APEX	VELOCE	HELIO C2	HELIO A7	HELIO A6	MOVE	HELIO KIDS ¹
BC15	Straight aluminum back cane	■	■	■	■	■	■	■
BC16	8° bend aluminum back cane	■	■	■	■	■	■	■

Fold down backrest

		APEX	VELOCE	HELIO C2	HELIO A7	HELIO A6	MOVE	HELIO KIDS ¹
BC20	Locking backrest	■	■	■	■	■	■	■
BC21	Ultralight non locking backrest (not locking in upright and down position)	■	■	■	■	■	■	■

Adjustable angle fold down backrest, fixed adjustable without options

		APEX	VELOCE	HELIO C2	HELIO A7	HELIO A6	MOVE	HELIO KIDS ¹
BC22	Straight back canes	■	■	■	■	■	■	■
BC30	Fixed height without push handle	■	■	■	■	■	■	■

BACK CANE OPTIONS

Backrest options

		APEX	VELOCE	HELIO C2	HELIO A7	HELIO A6	MOVE	HELIO KIDS ¹
BC57	Standard 3" deep rigidizer bar – Carbon or aluminum	■	■	■	■	■	■	■
BC55	4" Deep aluminum rigidizer bar	■	■	■	■	■	■	■
BC56	Depth adjustable back (provides 3" of depth adjustment)	■	■	■	■	■	■	■

Push handle options

		APEX	VELOCE	HELIO C2	HELIO A7	HELIO A6	MOVE	HELIO KIDS ¹
PH01	Push handles	■	■	■	■	■	■	■
PH05	Fold down push handles	■	■	■	■	■	■	■
PH06	Clamp on height adjustable push handles	■	■	■	■	■	■	■

¹ Not available in USA.
Note: The availability of options and accessories may vary depending on your region. Refer to the order form.

APEX VELOCE HELIO C2 HELIO A7 HELIO A6 MOVE¹ HELIO KIDS¹

Stroller handle and stabilizer bar

PH04	Stroller handle (not available with the HD option)	■	■	■	■	■	■	■
☒ PH03	Newton folding stabilizer bar	■	■	■	■	■	■	■

BACK UPHOLSTERY

BH05	Slip-on Nylon back upholstery	■	■	■	■	■	■	■
BH06	Adjustable tension Nylon back upholstery	■	■	■	■	■	■	■
BH03	Slip-on Syntech-Suede back upholstery	■	■	■	■	■	■	■
BH04	Adjustable tension Syntech-Suede back upholstery	■	■	■	■	■	■	■
BH07	Slip-on Active-Mesh back upholstery	■	■	■	■	■	■	■
BH08	Adjustable tension Active-Mesh back upholstery	■	■	■	■	■	■	■

ONE ARM DRIVE

HR22	One arm drive 24"	■	■	■	■	■	■	■
------	-------------------	---	---	---	---	---	---	---

REAR WHEELS

RW01	Mag	■	■	■	■	■	■	■
☒ RW02	Newton One – spoke wheel	■	■	■	■	■	■	■
☒ RW03	Newton Gravity – ultralight wheel	■	■	■	■	■	■	■
RW04	Spinergy Spox	■	■	■	■	■	■	■
RW05	Spinergy LX	■	■	■	■	■	■	■
RW07	Spinergy CLX Carbon Blade	■	■	■	■	■	■	■

TIRES

TI01	Soft Urethane 1½"	■	■	■	■	■	■	■
TI02	Soft Urethane Knobby 1¾"	■	■	■	■	■	■	■
TI04	Soft Urethane – Shox 1"	■	■	■	■	■	■	■
TI05	Pneumatic 1¾"	■	■	■	■	■	■	■
TI08	Pneumatic with Airless insert 1¾"	■	■	■	■	■	■	■
TI06	Pneumatic HP 1"	■	■	■	■	■	■	■
TI07	Pneumatic HP – Schwalbe Marathon Plus 1"	■	■	■	■	■	■	■

APEX VELOCE HELIO C2 HELIO A7 HELIO A6 MOVE¹ HELIO KIDS¹

HANDRIMS

HR01	Aluminum anodized	■	■	■	■	■	■	■
☒ HR07 to HR18	Newton Air Grip <i>Black, Sunkissed Orange, Burgundy, Sapphire Blue, Monster Green, Charcoal, Fuchsia, Steel Blue, Ferrari Red, Acid Green, Electric Purple, Caribbean Blue, White, Pink Pearl, Plum Purple, Sky Blue, Black Cherry, Khaki Green, Desert Sand</i>	■	■	■	■	■	■	■
HR02	Plastic coated	■	■	■	■	■	■	■
HR03	High friction coated	■	■	■	■	■	■	■
HR28	Surge	■	■	■	■	■	■	■
HR05	Surge LT	■	■	■	■	■	■	■
HR04	Natural Fit (shown with optional thumb standard grip HR23)	■	■	■	■	■	■	■
HR61	Black aluminum hard anodized	■	■	■	■	■	■	■
HR62	TOUR H - 1 5/16" oval handrim with high friction strip	■	■	■	■	■	■	■
HR63	NOVA H - 1 1/4" oval handrim with high friction strip	■	■	■	■	■	■	■
HR64	OPTIMUM H - 1 1/8" heart-shaped handrim	■	■	■	■	■	■	■

AXLES

AX01	Quick release axle	■	■	■	■	■	■	■
AX02	Permanent axle	■	■	■	■	■	■	■
AX03	Quad release axle	■	■	■	■	■	■	■
AX04	Amputee adjustable axle plate	■	■	■	■	■	■	■

WHEEL LOCKS

☒ WL08	Newton wheel lock – push to lock	■	■	■	■	■	■	■
WL02	Pull to lock	■	■	■	■	■	■	■
☒ WL04	Newton grade aid push to lock (suggested with pneumatic or high pressure tire)	■	■	■	■	■	■	■
WL13	6" removable extension handle for grade-aid and pull to lock	■	■	■	■	■	■	■
WL14	6" removable extension handle for Newton push to lock	■	■	■	■	■	■	■
WL05	Scissor Lock	■	■	■	■	■	■	■
WL06	Attendant Lock (additional set of wheel lock mounted to the back)	■	■	■	■	■	■	■

¹ Not available in USA. ² Not available in Canada. Note: The availability of options and accessories may vary depending on your region. Refer to the order form.

		APEX	VELOCE	HELIO C2	HELIO A7	HELIO A6	MOVE ¹	HELIO KIDS ¹
ARMRESTS								
AR01	Height adjustable flip back armrest (convertible to "T" armrest) 10" desk length arm pad	■	■	■	■	■ ²	■	■
AR02	Height adjustable flip back armrest (convertible to "T" armrest) 14" full length arm pad	■	■	■	■	■ ²	■	■
AR03/AR13	Height adjustable "T" armrest, 10" desk length arm pad	■	■	■	■	■	■	■
AR04/AR14	Height adjustable "T" armrest, 14" full length arm pad	■	■	■	■	■	■	■
AR05	Height adjustable swing-away armrest, tubular arm pad	■	■	■	■	■	■	■
AR06	Height adjustable swing-away armrest, 10" desk length arm pad	■	■	■	■	■	■	■
AR07	Locking flip-up armrest	■	■	■	■	■	■	■
AR12	14" full length armrest gel pad	■	■	■	■	■	■	■
SIDE GUARDS								
SG01	Plastic side guards (removable)	■	■	■	■	■	■	■
SG02	Carbon fiber side guards (fixed)	■	■	■	■	■	■	■
SG03	Carbon fiber side guards (removable)	■	■	■	■	■	■	■
SG06	Plastic fender side guards (removable)	■	■	■	■	■	■	■
SG04	Carbon fiber fender side guards (removable)	■	■	■	■	■	■	■
SG07	Side guards clip	■	■	■	■	■	■	■
POSITIONING BELTS								
SB01	Velcro adjustable	■	■	■	■	■ ²	■	■
SB02	Auto buckle	■	■	■	■	■	■	■
SB04	Bodypoint Hip Belt – 2 point not padded	■	■	■	■	■ ²	■	■
SB05	BodyPoint Hip Belt – 2 point padded	■	■	■	■	■	■	■
SB06	BodyPoint Hip Belt – 4 point padded	■	■	■	■	■	■	■
SB08	BodyPoint EVOFLEX® Positioning Belt Rehab latch and Band Clamps	■	■	■	■	■	■	■
HEADRESTS								
AC01	Profiled headrest	■	■	■	■	■	■	■
AC28	Headrest mounting hardware with stabilizer bar	■	■	■	■	■	■	■

¹ Not available in USA. ² Not available in Canada. Note: The availability of options and accessories may vary depending on your region. Refer to the order form.

		APEX	VELOCE	HELIO C2	HELIO A7	HELIO A6	MOVE ¹	HELIO KIDS ¹
ACCESSORIES								
AC03	Anti tippers	■	■	■	■	■	■	■
AC29	Swing away anti-tipper	■	■	■	■	■	■	■
AC27	Tip assist	■	■	■	■	■	■	■
AC04	Transit tie down (unoccupied)	■	■	■	■	■	■	■
AC05	WC-19 transit tie down w/Q'straint belt	■	■	■	■	■	■	■
AC06	Cane carrier	■	■	■	■	■	■	■
AC07	Oxygen tank holder – D & E type (left)	■	■	■	■	■	■	■
AC08	Spoke guards (pair)	■	■	■	■	■	■	■
AC09	Footrest neoprene impact guard (pair) – Available with various APEX A color frames	■	■	■	■	■	■	■
AC10	Seat pouch	■	■	■	■	■	■	■
AC30	Newton sanitizing multi-purpose pouch	■	■	■	■	■	■	■
AC26	BodyPoint mobility bag	■	■	■	■	■	■	■
AC12	Velcro closing strap	■	■	■	■	■	■	■
FRAME COLORS								
FC01	Black or carbon fiber black (if carbon fiber frame)	■	■	■	■	■	■	■
FC03	Sunkissed Orange, Burgundy, Sapphire Blue, Monster Green, Charcoal, Fuchsia, Steel Blue, Ferrari Red, Acid Green, Electric Purple, Caribbean Blue, White, Pink Pearl, Plum Purple, Sky Blue, Black Cherry, Khaki Green, Desert Sand (not available on Apex A)	■	■	■	■	■	■	■
FC10	Highlight color Ferrari Red	■	■	■	■	■	■	■
FC11	Highlight color White	■	■	■	■	■	■	■
FC12	Highlight color Black	■	■	■	■	■	■	■
FC13	Highlight color Sunkissed Orange	■	■	■	■	■	■	■
FC14	Highlight color Sky Blue	■	■	■	■	■	■	■
FC15	Highlight color Fuchsia	■	■	■	■	■	■	■
FC16	Highlight color Acid Green	■	■	■	■	■	■	■
FC99	Custom color	■	■	■	■	■	■	■

¹ Not available in USA. ² Not available in Canada. Note: The availability of options and accessories may vary depending on your region. Refer to the order form.

GO BEYOND!

Who we are: passionate innovators pushing the boundaries of what is possible. **What we do:** combine leading-edge engineering with innovative materials to create movement. **What makes us proud:** having our ultralight wheelchairs echo the love of life their users demonstrate each day.

Through our unique approach and distinct attitude, our aim is to enhance lives, nourish a sense of freedom and revolutionize the way people see wheelchairs.

LEARN MORE To learn and find more information regarding our products, options and accessories, visit our website at motioncomposites.com



T 1 (866) 650-6555

F 1 (888) 966-6555

motioncomposites.com

