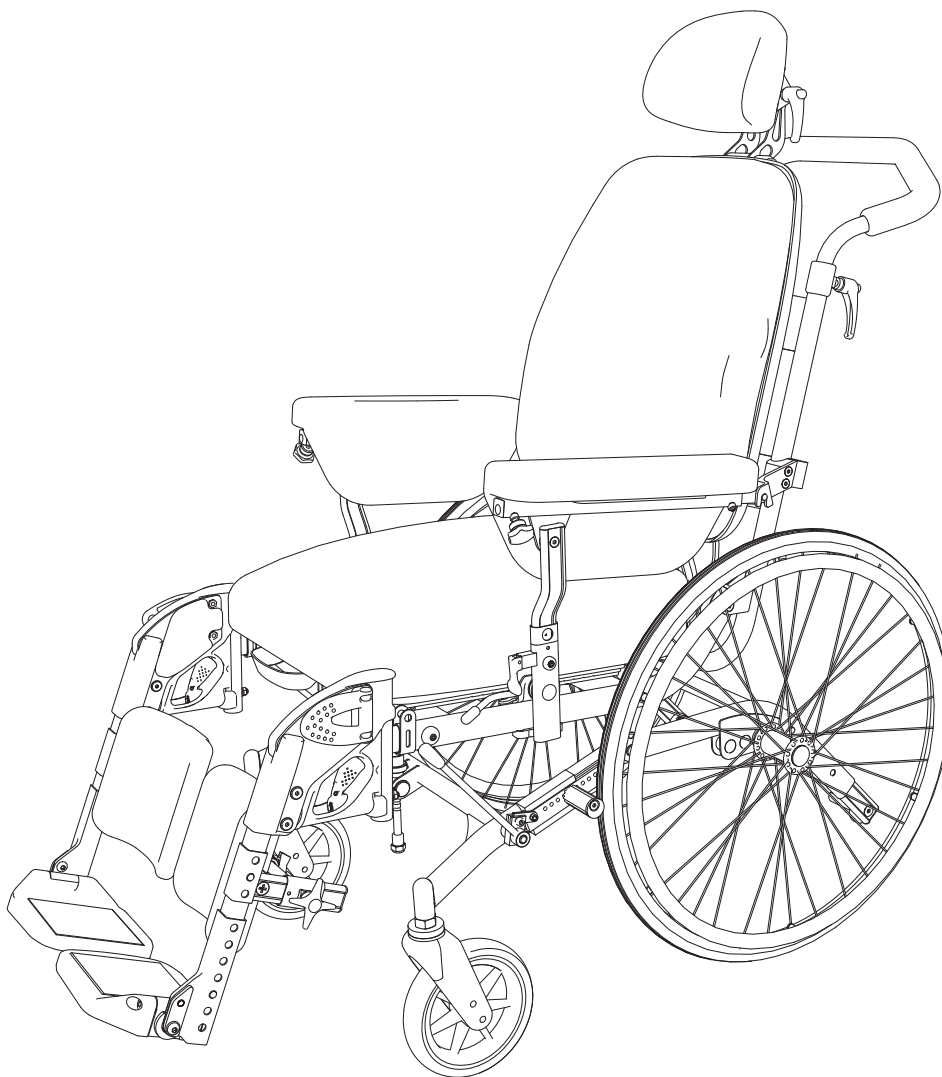


# CIRRUS4



Cirrus 4  
Cirrus 4 K  
Cirrus 4 X

**Kapittelinnndeling:**

1. Ramme
2. Reguleringsmekanisme
3. Benstøtte
4. Sete
5. Rygg
6. Armlene/sidestøtte
7. Hjul
8. Bremsør
9. Tilbehør

**Merknad / Avvik:**

Ingen

**Chapter classification:**

1. Chassis
2. Adj. Mechanism
3. Leg rest
4. Seat
5. Backrest
6. Armrest/side support
7. Wheel
8. Brakes
9. Accessories

**Note / Exceptions:**

None

**Bestilling av deler:**

Når du bestiller bør du også spesifisere prod.nr. for rullestolen.

When you place your order you should also specify prod.no. (S/N) for the wheelchair.

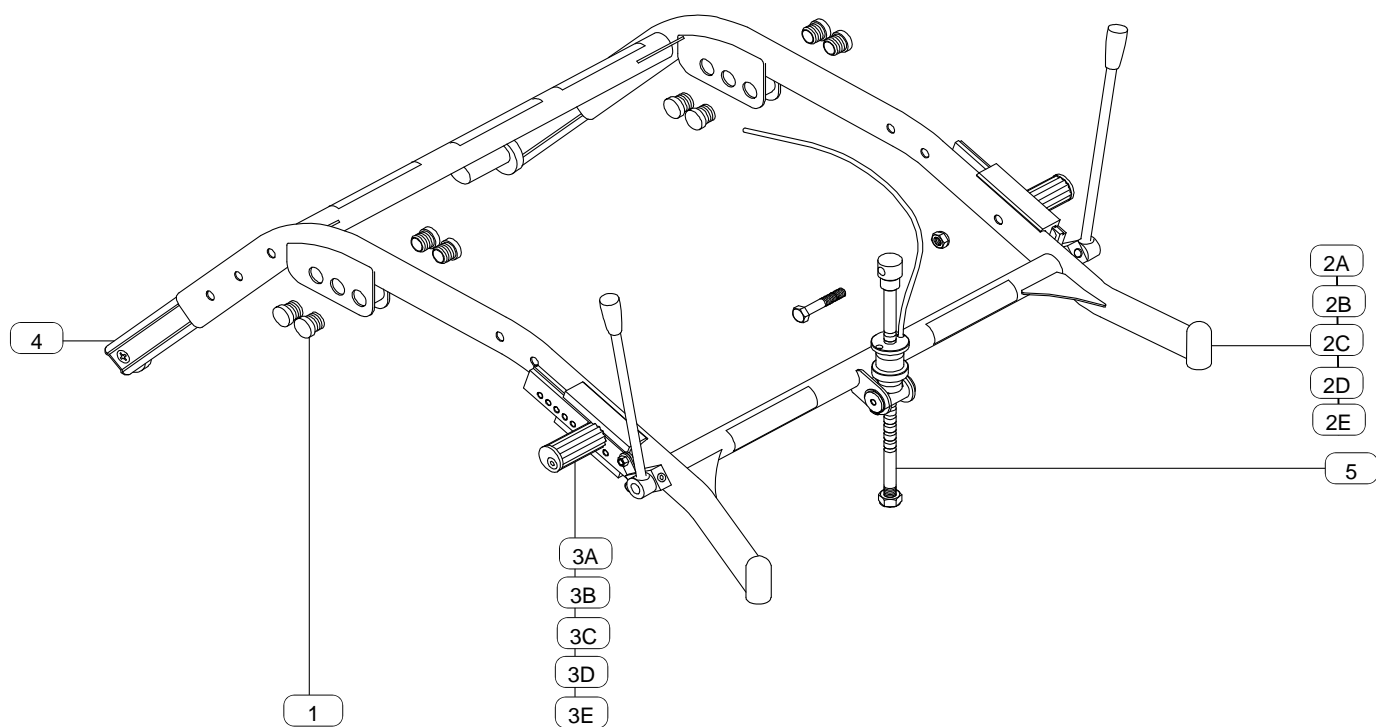
**Utskrift:**

Siden det er brukt gråtoner i dette dokumentet er det viktig at utskriften blir sendt til skriveren som gråtone (eller farge). Hvis man velger svart/hvitt blir gråtone rastret, det vil bli meget utydelig.

**Printing:**

Since this document contains grayscale you should print as grayscale (or color). If you select black/white the output would be of poor quality for the objects in grayscale.

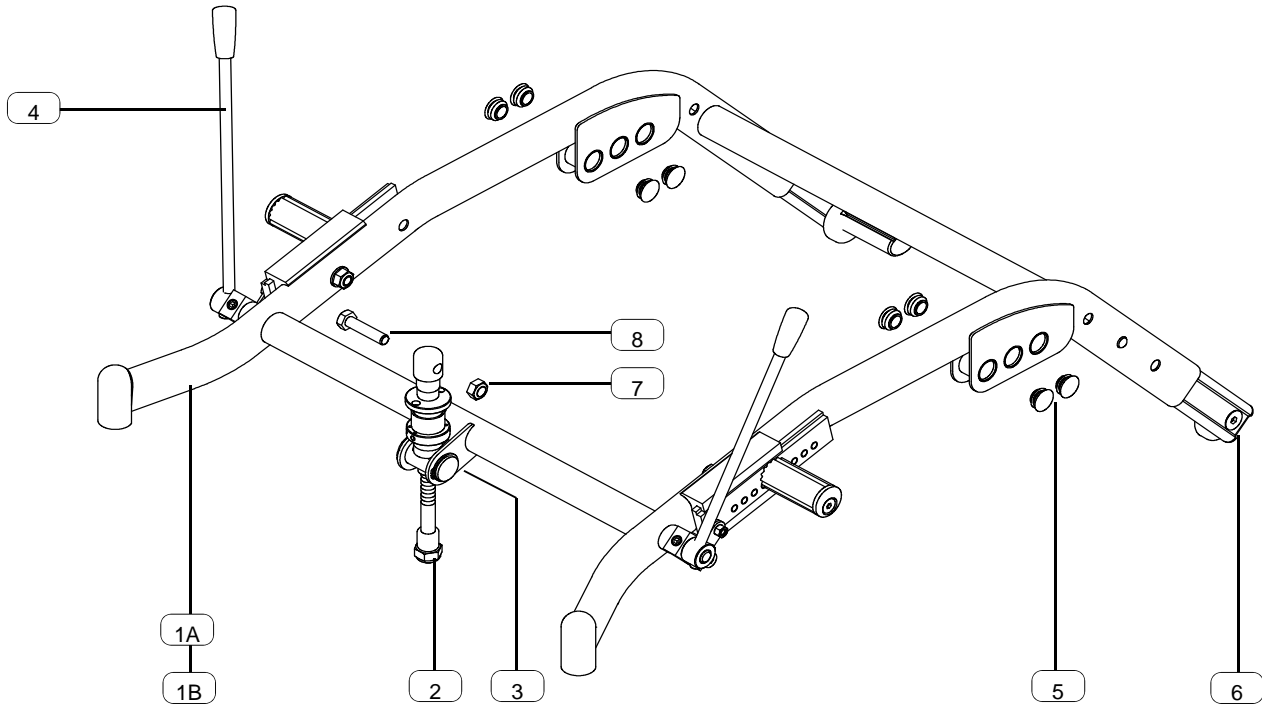
Kap./Chap.	Beskrivelse	Description	Side/Page
<b>1.0</b>	<b>Ramme</b>	<b>Frame</b>	<b>4</b>
1.1	Understell/Ramme	Frame	4
1.2	Understell/Ramme KID-Short	Frame KID-Short	5
<b>2.0</b>	<b>Reguleringsmekanisme</b>	<b>Adj. mechanism</b>	<b>6</b>
2.1	Reguleringsmekanisme	Adj. mechanism	6
<b>3.0</b>	<b>Benstøtte</b>	<b>Leg rest</b>	<b>7</b>
3.1	Feste for henger	Attachment for hanger	7
3.2	Hengere, vinkelstillbare, firkantrør	Hangers, angle adj. square tube	8
3.2.1	Leggstøtte, firkantrør	Calf support, square tube	9
3.2.2	Fotplate for firkantrør	Footplate for square tube	10
3.2.3	Fotplate X	Footplate X	11
3.3.	Henger, fast, justerbar 70°, 80° og 90°	Hanger, rigid, adjustable 70°, 80° og 90°	12
3.3.1	Fotplate for runde rør	Footplate for round tube	13
3.3.2	Fotplate, dybdejusterbar for runde rør	Footplate, depth adj. for round tube	14
<b>4.0</b>	<b>Sete</b>	<b>Seat</b>	<b>15</b>
4.1	Seteramme enhet	Seat frame unit	15
4.2	Seteramme KID-Short	Seat frame KID-Short	16
4.3	Seteplate m/pute	Seat plate w/cushion	17
<b>5.0</b>	<b>Rygg</b>	<b>Backrest</b>	<b>18</b>
5.1	Ryggramme-enhet	Backrest unit	18
5.2	Ryggplate m/pute	Backrest shell w/cushion	19
5.4	Ryggplate med pute KID-Short	Backrest shell w/cushion KID-Short	20
5.5	Kjørehåndtak	Push handles	21
5.6	Velcroygg	Velcro back	22
<b>6.0</b>	<b>Armlene/sidestøtte</b>	<b>Armrest/side support</b>	<b>23</b>
6.1	Armlene	Armrest	23
6.2	Armlene Hemiplegi	Armrest Hemiplegia	25
6.3	Armlene, fast, avtagbart	Armrest, rigid, detachable	26
<b>7.0</b>	<b>Hjul</b>	<b>Wheel</b>	<b>27</b>
7.1	Drivhjul, komplett	Drive wheel, complete	27
7.2	Gaffel med hjul 7"	Wheel fork w/wheel	28
7.3	Eikebeskyttere	Spoke guards	29
7.4	Transportundersstell	Transport chassis	30
7.5.1	Trommelbremse hjul	Wheels with drumbrake	31
7.5.2	Deler til trommelbrems	parts for drumbrake	32
<b>8.0</b>	<b>Bremser</b>	<b>Brakes</b>	<b>33</b>
8.1	Bremsemekanisme	Wheel lock mech.	33
<b>9.0</b>	<b>Tilbehør</b>	<b>Accessories</b>	<b>35</b>
9.1	Nakkestøtter	Headrests	35
9.1.1	Nakkestøtte Basic	Headrest Basic	36
9.1.3	Nakkestøtte Avansert	Headrest Advanced	37
9.2	Adapter framflytt rygg 5 cm	Kit spacer backrest (forw. 5 cm)	38
9.3	El-tilt sete og rygg	Powered tilt seat and back	39
9.4	Rygg kyfose m/sidestøtte	Backrest w/lat.support	40
9.5.1	Sidestøtte - stor	Side support - large	41
9.5.2	Sidestøtte - liten	Side support - small	42
9.6	Abduksjonskloss, liten	Abduction pommel, small	43
9.7	Hoftebelte	Positioning belt	44
9.8	Hel leggstøtte	Whole calf rest	45
9.9	Hel fotplate	Whole foot plate	46
9.10.	Bord	Tray	47
9.11	Byggesett hjul	Kit for wheels	48
9.12	Forhøyningsett, + ledsagerbrems	Kit for seat height ext.	49
9.13	Amputasjonsstøtte	Amputation support	50
9.14	Elektrisk og manuell pumpe	Electric inflator and hand pump	51
9.15	Seteveske	Front pouch	52
9.16	Inkontinestrek	Incontinence cover	53



Pos	Ant/Qty	Art.No.	Beskrivelse	Description	EAN* 7070582	Note
1-5	1	B100306	Understell kompl. Smal	Chassis compl. Narrow	+ 033171	S
1-5	1	A100306	Understell kompl. Bred	Chassis compl. Wide	+ 032655	S
1-5	1	AX100306	Understell kompl. Ekstra bred	Chassis compl. Extra Wide	+ 033645	S
1-5	1	XB100306	Understell kompl. X-65	Chassis compl. X-65	+ 043460	S
1-5	1	XB105306	Understell kompl. X-70	Chassis compl. X-70	+ 043477	S
1	8 <sup>1)</sup>	A100001	Plastpropp	Plastic plug	+ 015603	S
2A	1	B110306	Understellsramme, Smal	Chassis, Narrow	+ 033164	
2B	1	A110306	Understellsramme, Bred	Chassis, Wide		
2C	1	AX110306	Understellsramme, Ekstra bred	Chassis, Extra Wide		
2D	1	XB110306	Understellsramme, X-65	Chassis, X-65		
2E	1	XB115306	Understellsramme, X-70	Chassis, X-70	+ 043491	
3A	1	B123000	Bremsemek. kompl. Smal/Kid/Short	Brake mech. Compl. Narrow/Kid/Short	+ 016426	S
3B	1	A123000	Bremsemek. kompl. Bred	Brake mech. Compl. Wide	+ 015719	S
3C	1	AX123000	Bremsemek. kompl. Ekstra bred	Brake mech. compl. Extra Wide	+ 016358	S
3D	1	XB123000	Bremsemechanisme kompl. X-65	Brake mech. compl. X-65	+ 043507	S
3E	1	XB124000	Bremsemechanisme kompl. X-70	Brake mech. compl. X-70	+ 043514	S
4	1	A130010	Anti-tipp komplett HØ+VE	Anti-tip compl. RHS+LHS	+ 015764	S
5	1 <sup>2)</sup>	A920100	Reg.mek. sete u/wire	Adjustment mech. seat wo/wire	+ 042821	S

**Note:**

- 1) Selges kun i antall á 10 stk. Only for sale in qty of 10 pcs  
 2) X-stoler har 2x reg.mek X-chairs have 2x Adjustment mech.



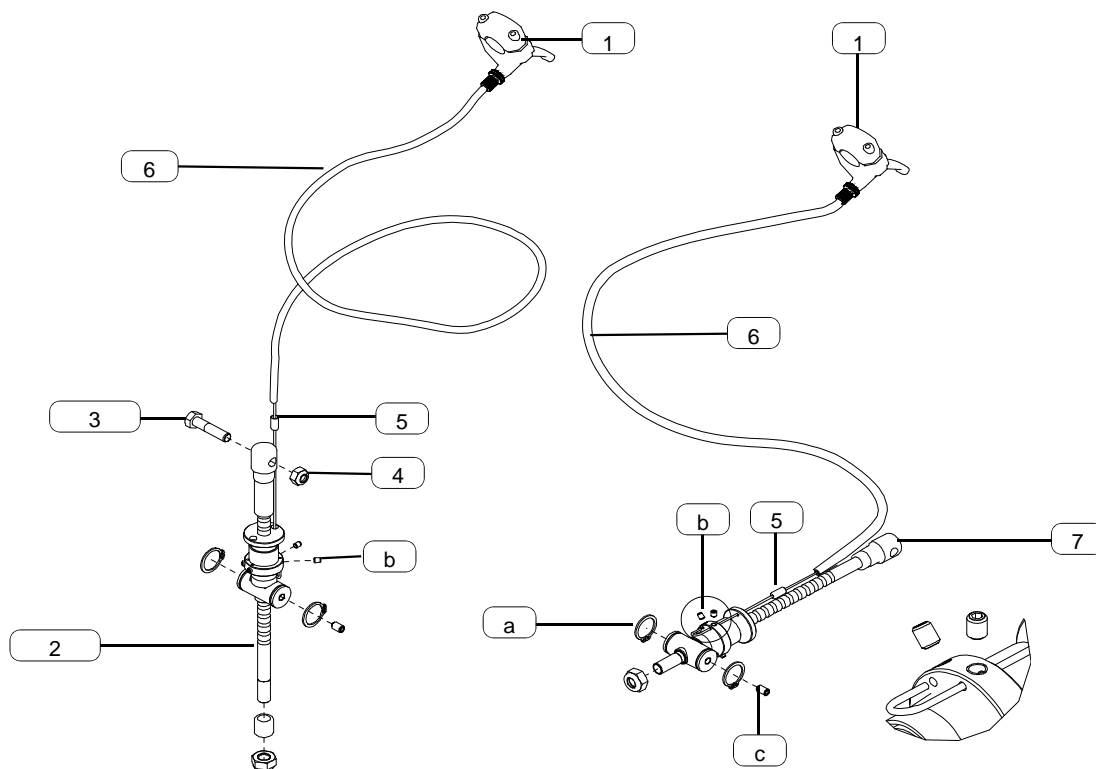
Pos	Ant/Qty	Art.No.	Beskrivelse	Description	EAN* 7070582	Note
1A,2-8	1	E100304	Understell komplett, gul Cirrus K	Chassis complete, yellow Cirrus K	+ 043255	S
1B,2-8	1	E100306	Understell komplett, grå Cirrus K/Short	Chassis complete, grey Cirrus K/Short	+ 034079	S
1A	1	E110304	Understellsramme, gul Cirrus K	Chassis, yellow Cirrus K	+ 031184	
1B	1	E110306	Understellsramme, grå Cirrus K/Short	Chassis, grey Cirrus K/Short	+ 034062	
2	1	E920100	Reg. mek. sete u/wire	Adjustment mech. seat wo/wire	+ 018086	S
3	2	A910010	Låsering A20-041, aksel	Retaining ring A20-041, shaft		DIN471
4	1	B123000	Bremsemek. kompl. Smal/Kid/Short	Brake mech. Compl. Narrow/Kid/Short	+ 016426	S
5	4 <sup>1)</sup>	A100001	Plastpropp	Plastic plug	+ 015603	S
6	2	E130010	Anti-tip komplett HS/VS	Anti-tip complete RHS/LHS	+ 017980	S
7	1	A200012	Låsemutter M8 Nylock Elz.	Lock nut M8 Nylock Elz.		DIN985
8	1	0578-35	Sekskantskrue M8x35	Hexagon screw M8x35		DIN933

**Note:**

1)

Selges kun i antall á 10 stk.

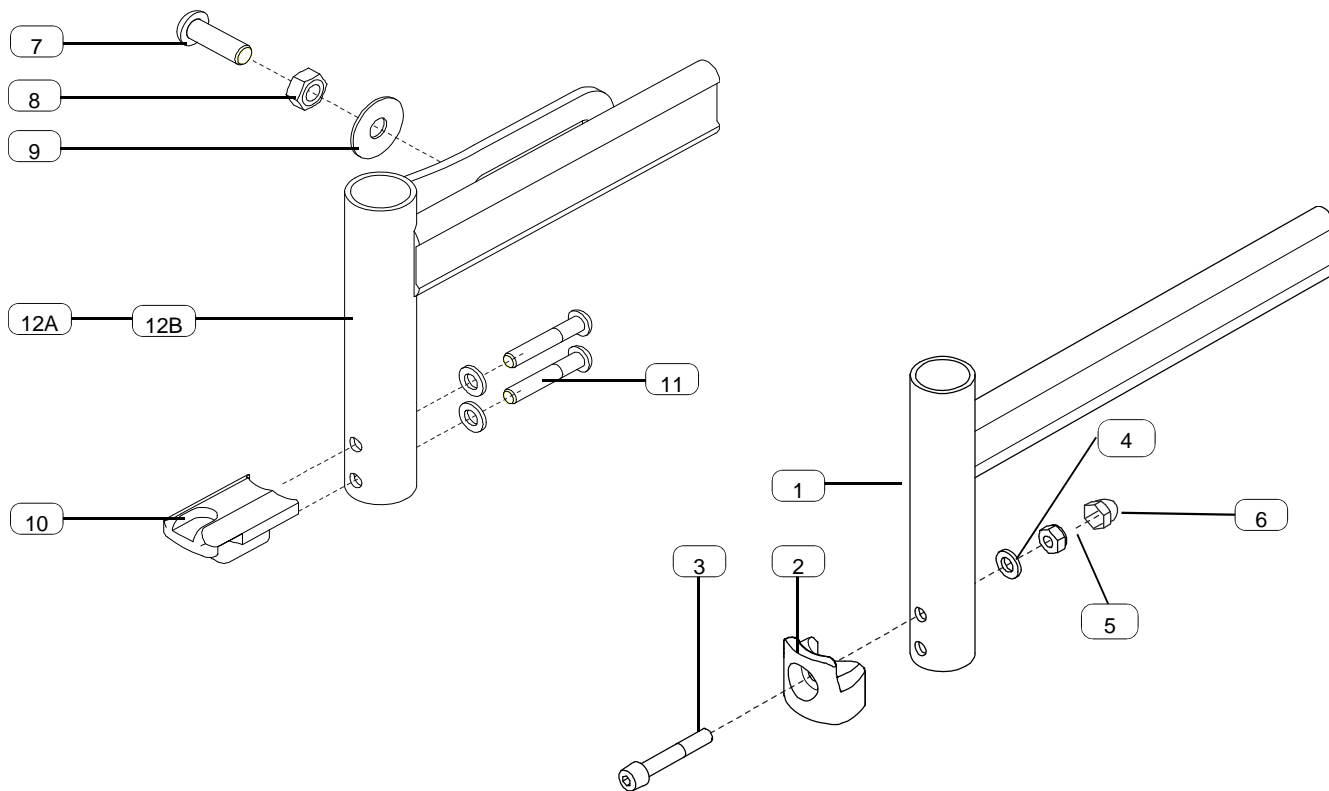
Only for sale in qty of 10 pcs



Pos	Ant/Qty	Art.No.	Beskrivelse	Description	EAN* 7070582	Note
1,5-6,b	2	X210002	Reguleringspaker, kjørebøyle	Adjusting mechanism, pushbar	+ 021963	S
1-6	1	A920000	Reguleringmek. sete, kompl.	Adjustment mech. seat, compl.	+ 016266	S
1,5-7	1	A910000	Reguleringsmek. rygg, kompl.	Adjustment mech. backrest, compl.	+ 016242	S
1	1	3405200	Utløserhendel med klemme	Release handle with clamp	+ 032525	S
2	1 <sup>1)</sup>	A920100	Reg.mek. sete u/wire	Adjustment mech. seat wo/wire	+ 042821	S
2	1 <sup>2)</sup>	E920100	Reg. mek. sete u/wire	Adjustment mech. seat wo/wire	+ 018086	S
3	1	A920018	Seksk.skrue M8x35 Elz.	Hex. headed screw M8x35 Elz.		DIN931
4	1	A200012	Låsemutter M8 Nylock Elz.	Lock nut M8 Nylock Elz.		
5	2	A920116	Endehylse for spiralwire	End sleeve for wire		
6	1	A925016	Wire og strømppe	Wire and casing	+ 016273	S
7	1	A910100	Reg.mek.	Adjustment mechanism	+ 042814	S
a	2	A910010	<u>a-c: Inkludert i pos 2 og 7</u> Låsering A20-041, aksel	<u>a-c: Included in pos 2 and 7</u> Retaining ring A20-041, shaft		DIN471
b	2	A910008	Settskrue M4x5 hul ende	Set screw M4x5 cup point		DIN916
c	1	A910028	Settskrue M6x10 hul ende	Set screw M6x10 cup point		DIN916

**Note:**

- 1) Passer ikke Kid/Short Not applicable to Kid/Short  
 2) Kid/Short Kid/Short



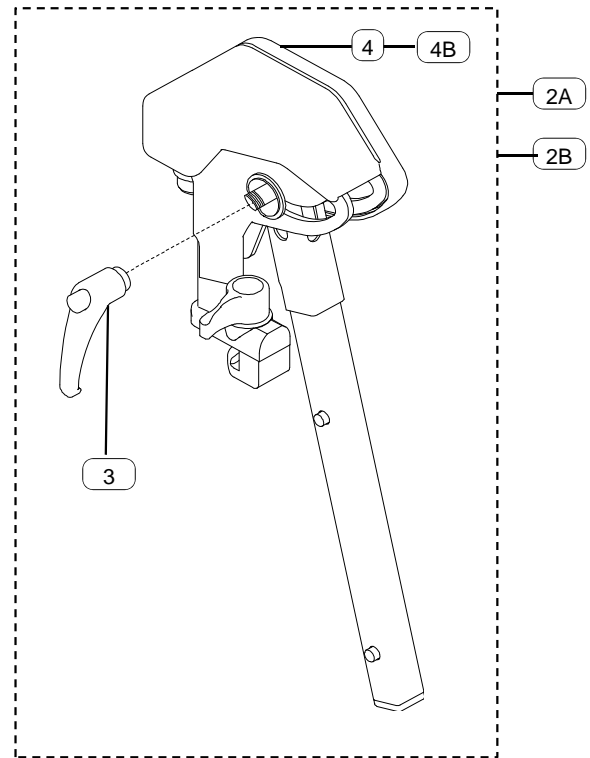
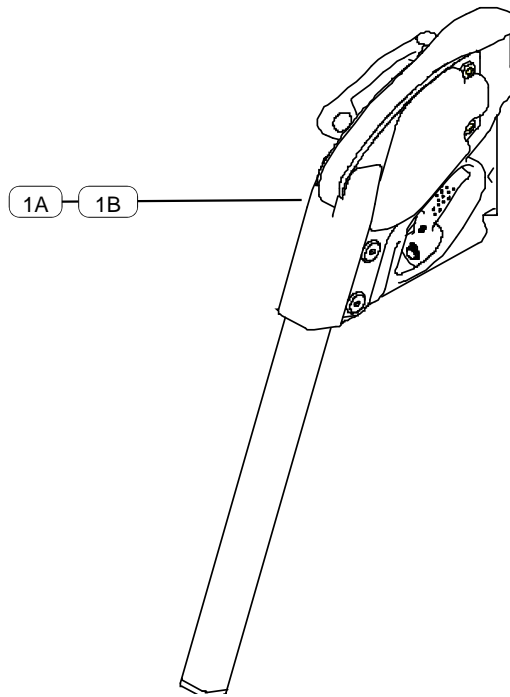
Pos	Ant/Qty	Art.No.	Beskrivelse	Description	EAN* 7070582	Note
1-6	1	3413005	Feste for henger komplett	Bracket for leg support complete	+ 041602	S
7-12A	1 <sup>1)</sup>	A410110	Innstikk komplett HØ	Attachment for hanger complete RHS	+ 032457	S
7-11,12B	1 <sup>1)</sup>	A410210	Innstikk komplett VE	Attachment for hanger complete LHS	+ 033980	S
2-6	2	3013050	Innfestingsbrakett benstøtte - sett	Fixation bracket leg rest - set	+ 038398	S
1	1	3413101	Feste for henger	Bracket for leg support		
2	1	3013780	Feste for henger	Fixing for hanger		
3	1	3013737	Bolt for innfesting M6x37	Bolt for fixation M6x37		
4	1	A230006	Underlagsskive Ø6 Elz.	Washer Ø6 Elz.	+ 015832	DIN125
5	1	A200006	Låsemutter M6 Nylock Elz.	Lock nut M6 Nylock Elz.		DIN985
6	1	CA340006	Mutterhette M6	Nut cap M6		
7	1	5146211	UNB Skrue M8x25 Linse	Socket screw M8x25 Lens		ISO7380
8	1	317-8	Mutter M8	Nut M8		
9	1	97119	Underlagsskive M8 (8,4x25x1,5) Elz.	Washer M8 (8,4x25x1,5) Elz.		DIN522
10	1	3103310	Låsebrakett for henger	Locking bracket for legrest	+ 002221	S
11	1	86998	UNB Skrue M6x40 Linse Elz.	Socket screw M6x40 Lens Elz.		ISO7380
12A	1	A410120	Innstikk HØ	Attachment for hanger RHS		
12B	1	A410220	Innstikk VE	Attachment for hanger LHS		

**Note:**

1)

Passer ikke X 65 og X 70

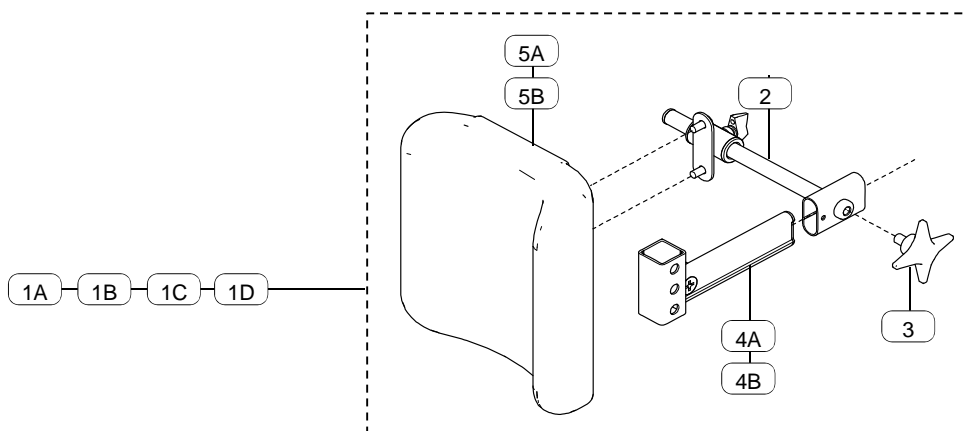
Not applicable to X 65 and X 70



Pos	Ant/Qty	Art.No.	Beskrivelse	Description	EAN* 7070582	Note
1A	1	3013502	Henger, vinkelstillbar firkantør HØ	Hanger, angle adj. square tube RHS	+ 038428	S
1B	1	3013512	Henger, vinkelstillbar firkantør VE	Hanger, angle adj. square tube LHS	+ 038442	S
2A	1	A410100	Henger vinkelstillbar benstøtte HØ	Toggle joint angle adj. legrest RHS	+ 033058	S
2B	1	A410200	Henger vinkelstillbar benstøtte VE	Toggle joint angle adj. legrest LHS	+ 033065	S
3	1	96022	Låsehendel	Lock handle	+ 015122	S
4A	1	A410140	Deksel HØ	Cap RHS	+ 036950	S
4B	1	A410240	Deksel VE	Cap LHS	+ 036707	S

**Note**      Leggpute for begge - se kapittel 3.2.2      Calf Support for these hangers - see chapter 3.2.2

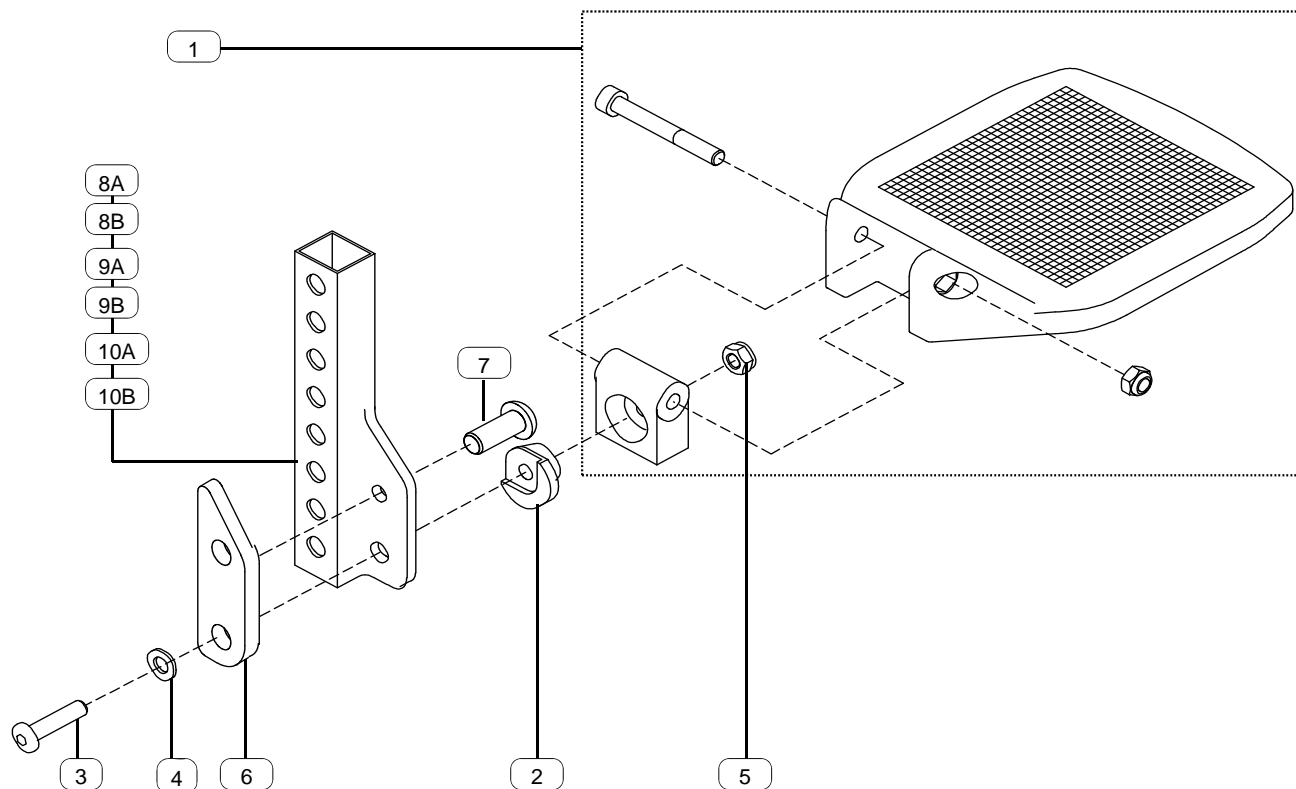




Pos	Ant/Qty	Art.No.	Beskrivelse	Description	EAN* 7070582	Note
1A	1	CX531150	Leggstøtte Smal, kompl. HØ	Calf support, Narrow, Compl. RHS	+ 017812	S
1B	1	CX531250	Leggstøtte Smal, kompl. VE	Calf support, Narrow, Compl. LHS	+ 017836	S
1C	1 <sup>1)</sup>	CX501150	Leggstøtte Bred, X-bred,X, kompl. HØ	Calf supp. Wide, X-wide, X, Compl. RH	+ 017768	S
1D	1 <sup>1)</sup>	CX501250	Leggstøtte Bred, X-bred,X, kompl. VE	Calf supp. Wide, X-wide,X, Compl. LH	+ 017782	S
2	1	CX500055	Feste leggstøtte komplett, svart	Slider calf pad complete, black	+ 017720	S
3	1	A241004	Låseratt RS ø60 M8x12	Locking wheel RS ø60 M8x12	+ 015900	S
4A	1	X502150	Regulering leggstøtte svart HØ	Adjustment for calf rest RHS	+ 022090	S
4B	1	X502250	Regulering leggstøtte svart VE	Adjustment for calf rest LHS	+ 022113	S
5A	1	110534	Legggpute stor, svart	Calf pad, wide, black	+ 000692	S
5B	1	110541	Legggpute liten, svart	Calf pad, narrow, black	+ 000708	S

**Note:**

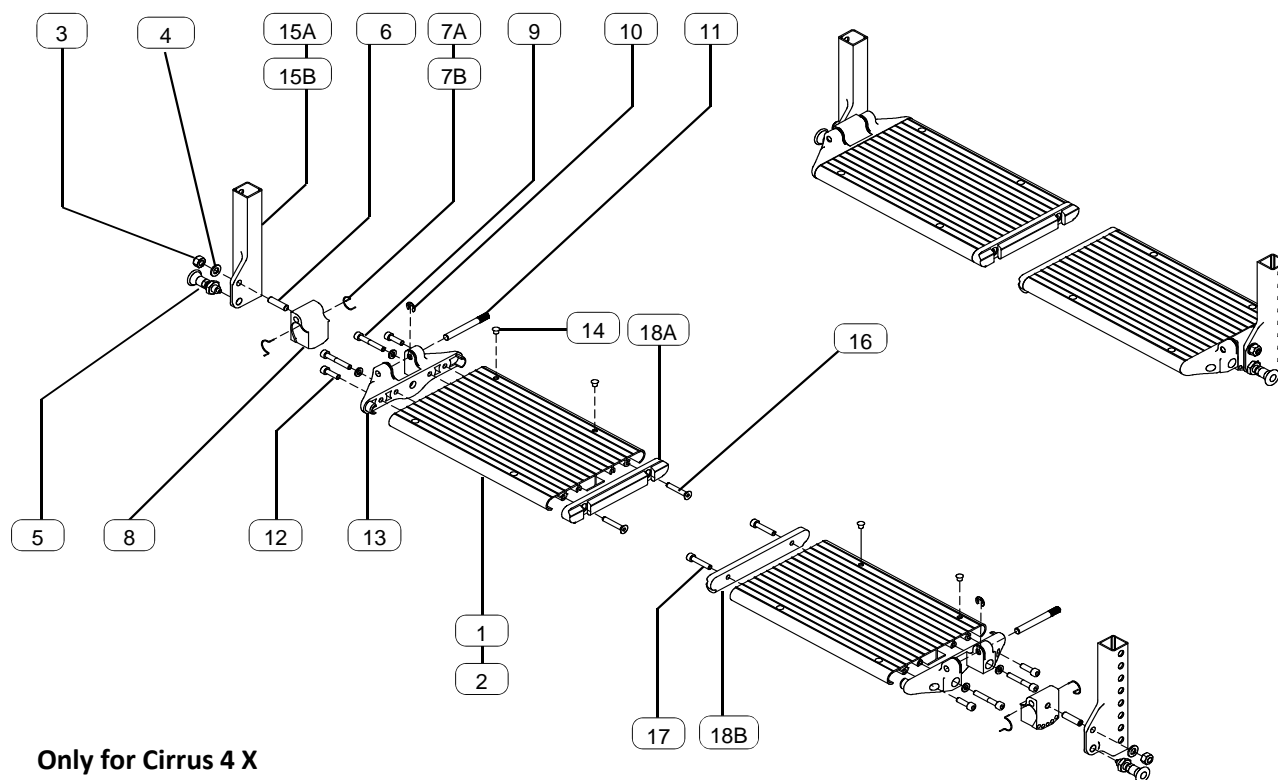
- 1) Leggstøtte BRED brukes på BRED, EKST Only for sale in qty of 10 pcs  
Calf support WIDE is used on WIDE, EXTRA WIDE, X 65 and X 70 model



Pos	Ant/Qty	Art.No.	Beskrivelse	Description	EAN* 7070582	Note
1B-8	1 <sup>1)</sup>	110600	Fotbrett plast vstb SB39 HØ	Board angle adjustabl SW39 RHS	+ 000937	S
1B-8	1 <sup>1)</sup>	110601	Fotbrett plast vstb SB39 VE	Board angle adjustabl SW39 LHS	+ 000944	S
1D-8	1 <sup>2)</sup>	110606	Fotbrett plast vstb SB48 HØ	Board angle adjustabl SW48 RHS	+ 000999	S
1D-8	1 <sup>2)</sup>	110607	Fotbrett plast vstb SB48 VE	Board angle adjustabl SW48 LHS	+ 001002	S
1F-8	1	110610	Fotbrett plast vstb, xbred HØ	Footboard angle adj. X-Wide, RHS	+ 001033	S
1F-8	1	110611	Fotbrett plast vstb, xbred VE	Footboard angle adj. X-Wide, LHS	+ 001040	S
1B	1	84762	Fotplate plast vstb 160mm	Footplate a.adj. Plastic 160mm		
1D	1	84765	Fotplate plast vstb 200mm	Footplate plastic angle adj. 200mm		
1F	1	84767	Fotplate plast vstb 230mm	Footplate plastic angle adj. 230mm		
2	1	84771	Låsekon, flat	Locking device	+ 028115	S
3	1	97196	Skrue M8x35 Elz.	Screw M8x35 Elz.		ISO7380
4	1	A120020	U.skive ø8	Washer ø8		DIN125
5	2	A200012	Låsemutter M8 nylock Elz.	Lock nut M8 nylock Elz.		DIN985
6	1	3003798	Avstiver benstøtte	Strutting for legrest		
7	1	X120005	UNB Skrue M8x12 Linse Elz.	Socket screw M8x12 Lens Elz.		ISO7380
8A	1	110532	Sleiderør, HØ	Slider, RHS	+ 000678	S
8B	1	110533	Sleiderør, VE	Slider, LHS	+ 000685	S
9A-9B	1	CX430015	Forlengerrør fotpl. +6cm kompl. HØ+VE	Ext.tube, footpl. +6cm compl. RHS+LHS	+ 017539	S
9A	1	CX430115	Forlengerrør fotpl. +6cm, HØ	Ext. tube, foot plate +6cm, RHS	+ 017553	S
9B	1	CX430215	Forlengerrør fotpl. +6cm, VE	Ext. tube, foot plate +6cm, LHS	+ 017577	S
10A-10B	1	CX431015	Forlengerrør fotpl. +10cm kpl. HØ+VE	Ext.tube,footpl. +10cm compl.RHS+LHS	+ 017591	S
10A	1	CX431115	Forlengerrør fotpl. +10cm, HØ	Ext. tube, foot plate +10cm, RHS	+ 017614	S
10B	1	CX431215	Forlengerrør fotpl. +10cm, VE	Ext. tube, foot plate +10cm, LHS	+ 017638	S

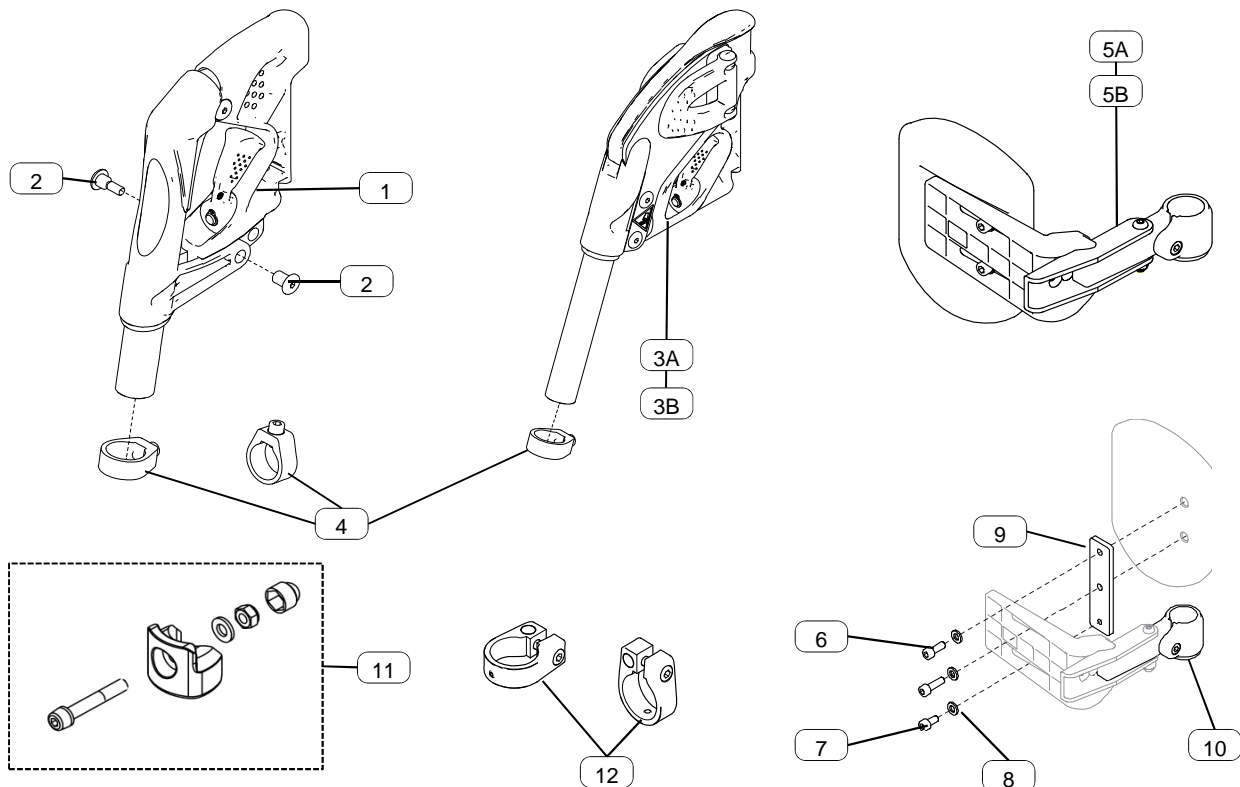
**Note:**

- 1) Smal  
Narrow
- 2) Bred  
Wide



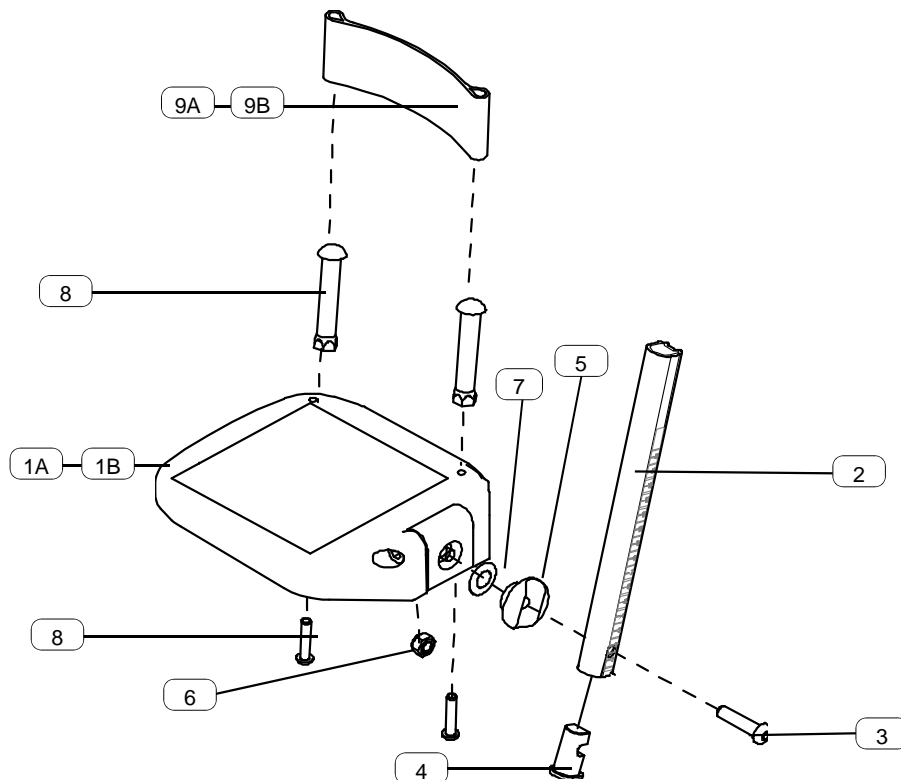
Only for Cirrus 4 X

Pos	Ant/Qty	Art.No.	Beskrivelse	Description	EAN* 7070582	Note
1,3-18A	1	XB735000	Fotbrett SB65 HØ	Footplate SW65 RHS	+ 043705	S
1,3-18B	1	XB835000	Fotbrett SB65 VE	Footplate SW65 LHS	+ 043729	S
2,3-18A	1	XB745000	Fotbrett SB70 HØ	Footplate SW70 RHS	+ 043712	S
2,3-18B	1	XB845000	Fotbrett SB70 VE	Footplate SW70 LHS	+ 043736	S
1	1	XB735050	Fotbrett alu SB65	Footplate alu SW65		
2	1	XB745050	Fotbrett alu SB70	Footplate alu SW70		
3	1	A200012	Låsemutter M8 Nylock Elz.	Lock nut M8 Nylock Elz.		DIN985
4	1	A120020	Underlagsskive M8 Elz.	Washer M8 Elz.		DIN125
5	1	A710003	Innstillingsbolt	Adjusting screw	+ 016228	S
6	1	5113409	Settskrue M8x30 A2	Set screw M8x30 A2		DIN916
7A	1	CA710013	Fjær for endestykke HØ	Spring for end piece RHS	+ 016839	S
7B	1	CA710014	Fjær for endestykke VE	Spring for end piece LHS	+ 016846	S
8	1	110542	Justeringskloss	Adjustment block		
9	2	CA710009	UNB Skrue M6x40 Syl. Elz.	Socket screw M6x40 Cyl. Elz.		DIN912
10	1	97144	Sporrytter A7 Elz.	Circlip A7 Elz.		DIN6799
11	1	CA710010	Hengslebolt	Hinge bolt	+ 016822	S
12	2	CA710015	UNB Skrue M6x20 Syl. Elz.	Socket screw M6x20 Cyl. Elz.		DIN912
13	2	87004	Endefeste plast	End-piece	+ 012862	S
14	4	87014	Propp for plate sort plast B10-6-5,4	Plug for plate black B10-6-5,4	+ 012886	S
15A	1	110532	Sleiderør, HØ	Slider, RHS	+ 000678	S
	1	110533	Sleiderør, VE	Slider, LHS	+ 000685	S
16	2	97224	UNB Skrue M6x35 Senk Elz.	Screw M6x35 countersunk Elz.		DIN7991
17	1	97166	UNB Skrue M6x30 Syl. Elz.	Socket screw M6x30 Cyl. Elz.		DIN912
18A	1	3003815	Låsing til fotbrett X HØ	Click lock for footplate X RHS		
18B	1	3003816	Låsing til fotbrett X VE	Click lock for footplate X LHS		



Pos	Ant/Qty	Art.No.	Beskrivelse	Description	EAN* 7070582	Note
1	1 <sup>1)</sup>	3013200	Henger rundt rør 70°, 80°, 90° H=V	Hanger round tube 70°, 80°, 90° RHS=LHS	+ 038404	S
2		3013210	Vinkeljusteringskrue	Angle adjustment screw	+ 045075	S
3A	1	3013501	Henger, vinkelstillbar rundt rør HØ	Hanger, angle adj. round tube RHS	+ 038411	S
3B	1	3013511	Henger, vinkelstillbar rundt rør VE	Hanger, angle adj. round tube LHS	+ 038435	S
4	1	3013779	Klemme komplett	Clamp complete		S
5A	1	3013550	Leggstøtte, SB 36-39 HØ=VE	Calf support, SW 36-39 RHS=LHS	+ 038459	S
5B	1	3013551	Leggstøtte, SB 42-51 HØ=VE	Calf support, SW 42-51 RHS=LHS	+ 038466	S
6-9	1	3013552	Adapter for leggpute, sett	Adaptor for calf support, set		S
6	2	0836-16	Skrue M6x16 Elz	Screw M6x16 Elz		DIN912
7	1	A230006	Underlagsskive Ø6 Elz.	Washer Ø6 Elz.	+ 015832	DIN125
8	1	A120013	UNB skrue M6x12 syl Elz.	Hex.h cap screw M6x12 Elz.		DIN912
9	1	3013795	Adapter for leggpute	Adaptor for calf support	+ 039463	
10	1	3013752	Festeklemme for legpad	Clamp for calf support		S
11	1 <sup>2)</sup>	3013050	Innfestingsbrakett benstøtte - sett	Fixation bracket leg rest - set	+ 038398	S
12	1 <sup>3)</sup>	3013729	Klemme komplett	Fixation clamp complete		S

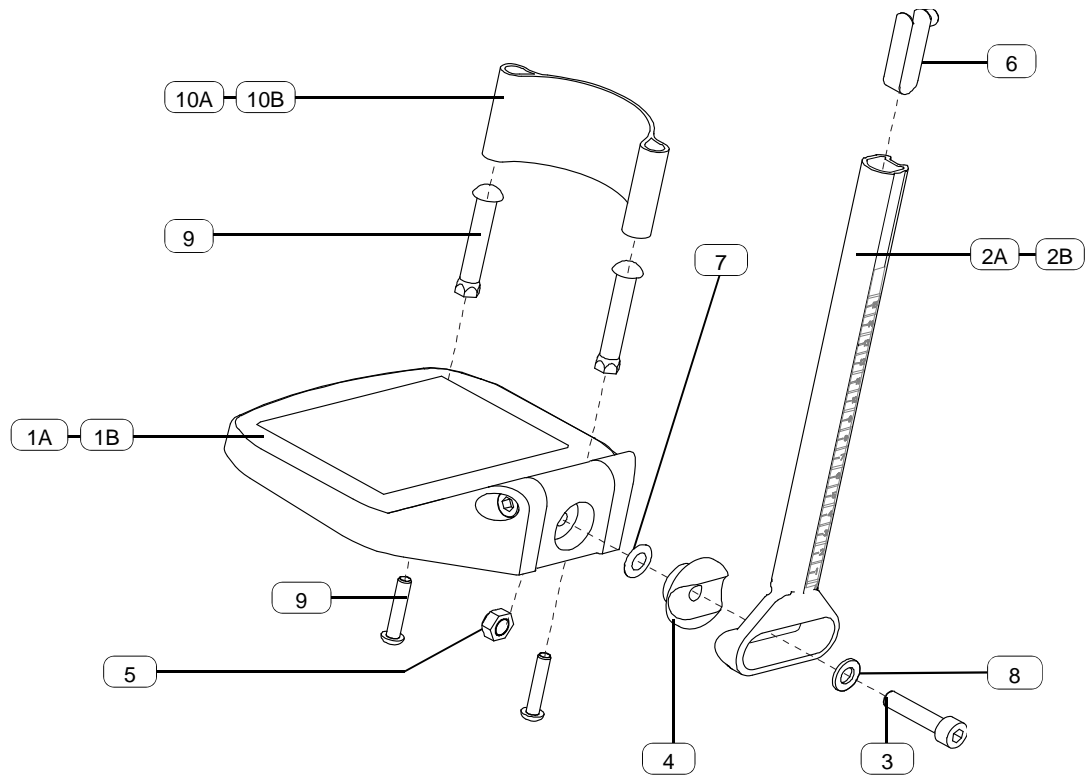
- 1) Inkluderer pos 2  
Includes pos 2
- 2) Set av 2 - komplett behov per stol  
Set of 2 - Complete for a wheelchair
- 3) Klemme for eldre versjon av henger med skrue inn fra siden  
Clamp for older version with bolt inserted from the side



Pos	Ant/Qty	Art.No.	Beskrivelse	Description	EAN* 7070582	Note
1A-7	1**	3003406	Fotplate vinkeljusterbar SB42 HØ	Footplate angle adjustable SW42 RHS	+ 026296	S
1A-7	1**	3003407	Fotplate vinkeljusterbar SB42 VE	Footplate angle adjustable SW42 LHS	+ 026302	S
1B-7	1***	3003410	Fotplate vinkeljusterbar SB48 HØ	Footplate angle adjustable SW48 RHS	+ 026739	S
1B-7	1***	3003411	Fotplate vinkeljusterbar SB48 VE	Footplate angle adjustable SW48 LHS	+ 026746	S
1A-9A	1**	3003418	Fotplate vinkeljust. hælbånd SB42 HØ	Footplate angle heel strap SW42 RHS	+ 026340	S
1A-9A	1**	3003419	Fotplate vinkeljust. hælbånd SB42 VE	Footplate angle heel strap SW42 LHS	+ 026357	S
1B-9B	1***	3003422	Fotplate vinkeljust. hælbånd SB48 HØ	Footplate angle heel strap SW48 RHS	+ 026388	S
1B-9B	1***	3003423	Fotplate vinkeljust. hælbånd SB48 VE	Footplate angle heel strap SW48 LHS	+ 026395	S
1A	1**	84763	Fotplate plast vstb 170mm	Footplate a.adj. Plastic 170mm		
1B	1***	84765	Fotplate plast vstb 200mm	Footplate a.adj. Plastic 200mm		
2	1	3003771	Sleiderør	Slider height adjustable		S
3	1	87007	UNB Skruer M8x45 Linse Elz.	Socket screw M8x45 Lens Elz.		ISO7380
4	1	3003770	Lås for sleiderør	Lock slider	+ 039791	S
5	1	84773	Låsekon m/radius (plastbrett)	Locking cone radius (footpl. plastic)	+ 028139	S
6	1	A200012	Låsemutter M8 Nylock Elz.	Lock nut M8 Nylock Elz.		DIN985
7	1	97317	Fjærskive 18x8,2x0,8	Spring washer		DIN2098
8	2	3003799	Festestolpe m/skrue til hælbånd	Pin with screw for heel strap	+ 039821	S
9A	1	51553	MNL3160-N	Heel strap for 170 mm footpl.		
	1	51555	Hælbånd for 200 mm fotplate	Heel strap for 200 mm footpl.		
8,9A	1	51543	Hælbånd komplett for 170 mm fotplate	Heel strap complete for 170 mm footpl.	+ 046041	S
8,9B	1	51545	Hælbånd komplett for 200 mm fotplate	Heel strap complete for 200 mm footpl.	+ 046065	S

**Note:**

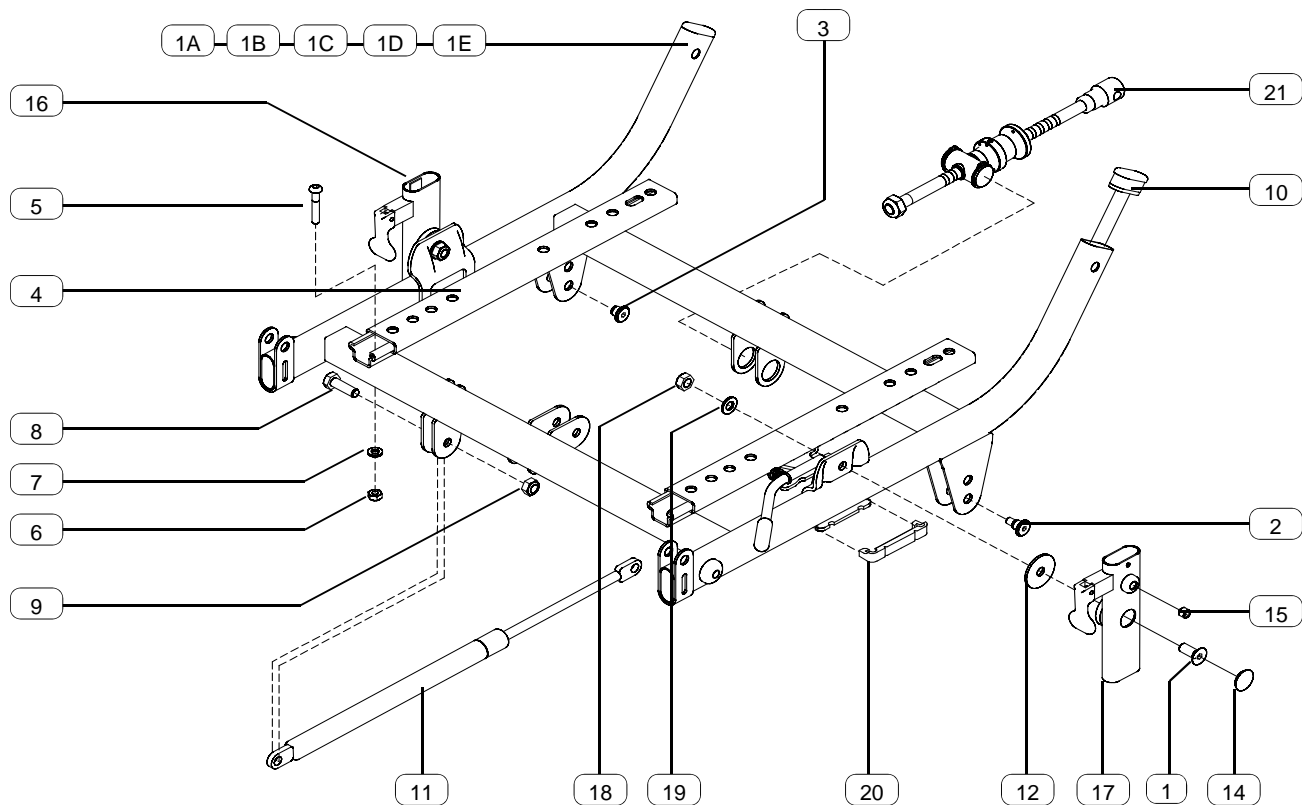
\*\* Smal Narrow  
 \*\*\* Bred Wide



Pos	Ant/Qty	Art.No.	Beskrivelse	Description	EAN* 7070582	Note
1A,2A-8	1**	3003456	Fotplate vinkel dybde SB42 HØ	Footplate angle depth SW 42 R	+ 030194	S
1A,2B-8	1**	3003457	Fotplate vinkel dybde SB42 VE	Footplate angle depth SW 42 L	+ 030200	S
1B,2A-8	1***	3003460	Fotplate vinkel dybde SB48 HØ	Footplate angle depth SW 48 R	+ 030231	S
1B,2B-8	1***	3003461	Fotplate vinkel dybde SB48 VE	Footplate angle depth SW 48 L	+ 030248	S
1A,2A-10A	1**	3003468	Fotplate vinkel dybde hælbånd SB42 H	Footplate angle depth heelstr. SW42 R	+ 030316	S
1A,2B-10A	1**	3003469	Fotplate vinkel dybde hælbånd SB42 V	Footplate angle depth heelstr. SW42 L	+ 030323	S
1B,2A-10B	1***	3003472	Fotplate vinkel dybde hælbånd SB48 H	Footplate angle depth heelstr. SW48 R	+ 030354	S
1B,2B-10B	1***	3003473	Fotplate vinkel dybde hælbånd SB48 V	Footplate angle depth heelstr. SW48 L	+ 030361	S
2A,6	1	3003793	Sleiderør m/dybdejust.snappl.H	Slider depth adj. W. snap lock RHS	+ 046140	S
2B,6	1	3003794	Sleiderør m/dybdejust.snappl.V	Slider depth adj. W. snap lock LHS	+ 046157	S
1A	1	84763	Fotplate plast vstb 170mm	Footplate a.adj. Plastic 170mm		
1B	1	84765	Fotplate plast vstb 200mm	Footplate a.adj. Plastic 200mm		
2A	1	3003775	Innvendig sleiderrør dybdejusterb. HØ	Inner sliding tube depth adj. RHS	+ 030989	
2B	1	3003776	Innvendig sleiderrør dybdejusterb. VE	Inner sliding tube depth adj. LHS	+ 030996	
3	1	97196	Skrue M8x35 Elz.	Screw M8x35 Elz.		ISO7380
4	1	84773	Låsekon m/radius (plastbrett)	Locking cone radius (footpl. plastic)	+ 028139	S
5	1	A200012	Låsemutter M8 Nylock Elz.	Lock nut M8 Nylock Elz.		DIN985
	2	A433000	Snapplås, komplett	Snap lock, complete	+ 016198	
7	1	97317	Fjærskive 18x8,2x0,8	Spring washer		DIN2098
8	1	A120020	Underlagsskive M8 Elz.	Washer M8 Elz.		DIN125
9	2	3003799	Festestolpe m/skrue til hælbånd	Pin with screw for heel strap	+ 039821	S
10A	1	51553	MNL3160-N	Heel strap for 170 mm footpl.		
10B	1	51555	Hælbånd for 200 mm fotplate	Heel strap for 200 mm footpl.		
9,10A	1	51543	Hælbånd komplett for 170 mm fotplate	Heel strap complete for 170 mm footpl.	+ 046041	S
9,10B	1	51545	Hælbånd komplett for 200 mm fotplate	Heel strap complete for 200 mm footpl.	+ 046065	S

**Note:**

\*\* Smal Narrow  
 \*\*\* Bred Wide

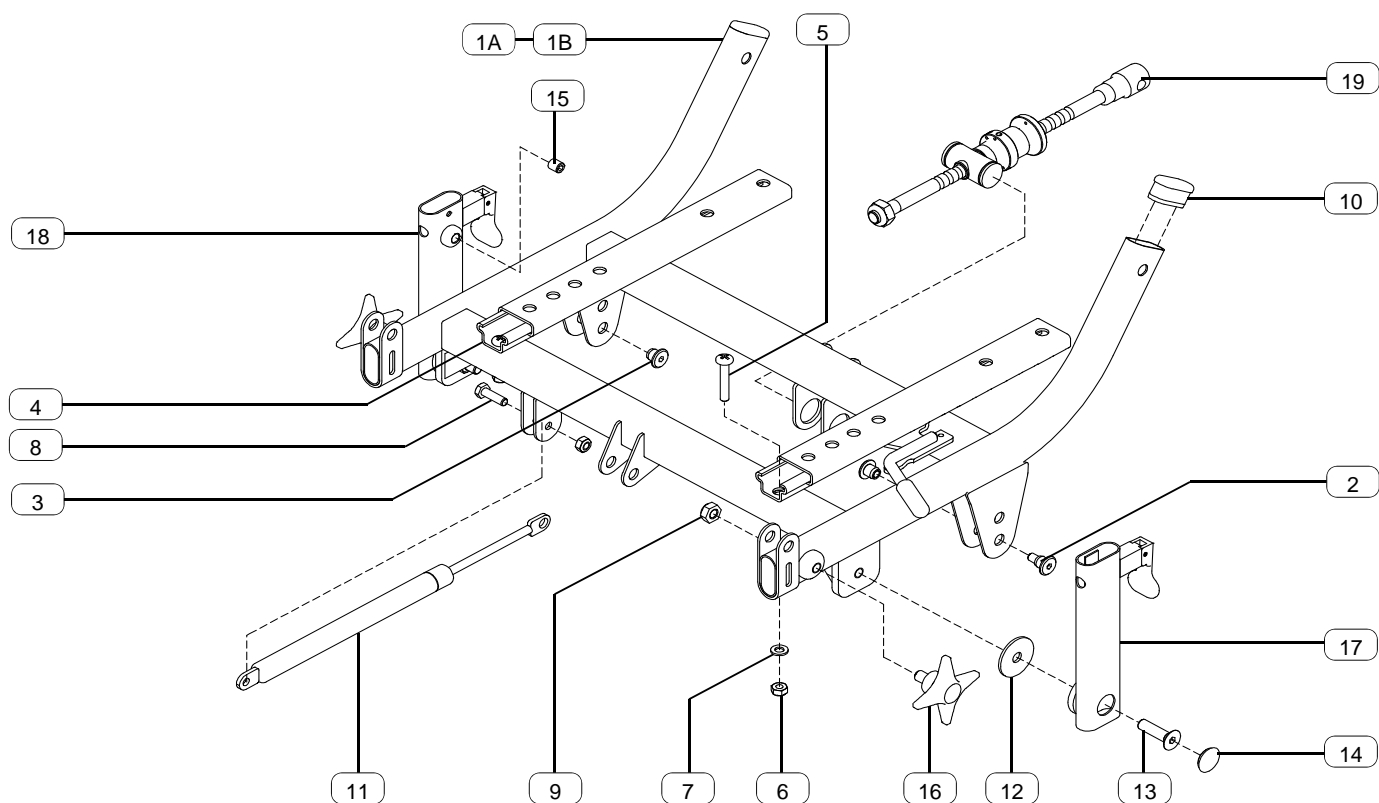


Pos	Ant/Qty	Art.No.	Beskrivelse	Description	EAN* 7070582	Note
1A,12-21	1	B226100	Seteramme med armlenefeste, Smal	Seat frame w/armrest fixation Narrow	+ 042883	S
1B,12-21	1	A226100	Seteramme med armlenefeste, Bred	Seat frame w/armrest fixation Wide	+ 042685	S
1C,12-21	1	AX226100	Seteramme m/armlenefeste ekstra bred	Seat frame w.armrest fixation Ex. Wide	+ 042845	S
1D,12-21	1	XB226100	Seteramme m/armlenefeste X-65	Seat frame w.armrest fixation X-65	+ 043521	S
1E,12-21	1	XB227100	Seteramme m/armlenefeste X-70	Seat frame w.armrest fixation X-70	+ 043545	S
1A	1	B226306	Seteramme smal	Seat frame Narrow	+ 033188	
1B	1	A226306	Seteramme bred	Seat frame Wide	+ 032679	
1C	1	AX226306	Seteramme ekstra bred	Seat frame Extra wide	+ 033652	
1D	1	XB226306	Seteramme X-65	Seat frame X-65	+ 043538	
1E	1	XB227306	Seteramme X-70	Seat frame X-70	+ 043552	
2	2 <sup>1)</sup>	A400010	M5x12 ISO 7380	M5x12 ISO 7380	+ 016044	S
3	2 <sup>1)</sup>	A200003	Møbelmutter M6	Furniture nut M6	+ 015771	
4	1	A200004	Justeringskinne for sete	Seat-slide unit	+ 015788	S
5	4	A200005	Pan.skrue M6x35 poz/Elz.	Cheese head screw M6x35 Elz.		DIN985
6	4	A200006	Sikringsmutter M6, nylock	Keeper nut M6, nylock		DIN985
7	4	A230006	Underlagsskive ø6	Washer ø6	+ 015832	DIN125
8	1	A200010	Seksk.skrue M8x25 Elz.	Hex. headed screw M8x25 Elz.		DIN933
9	3	A200012	Sikringsmutter M8, nylock	Keeper nut M8, nylock		DIN985
10	2 <sup>1)</sup>	A200013	Plastpropp	Plastic plug	+ 015801	S
11	1	A200009	Gassfjær nr. 084603	Gas spring no. 084603	+ 015795	S
12	2	92116	Plastskive Ø30/ø8 Sort	Plastic washer Ø30/ø8 Black	+ 014125	
	2	89020	UNB Skruer M8x20 Senk Elz.	Screw M8x20 countersunk Elz.		DIN7991
14	2 <sup>1)</sup>	A224005	Plastpropp**	Plastic plug**	+ 025824	S
15	2	A223004	Settskrue M8x8 A2	Set screw M8x8 A2		DIN916
16	1	CA224105	Armlenefeste HØ	Armrest tube RHS	+ 042906	S
17	1	CA224205	Armlenefeste VE	Armrest tube LHS	+ 042913	S
18	1	A200012	Låsemutter M8 Nylock Elz.	Lock nut M8 Nylock Elz.		DIN985
19	2	A120020	Underlagsskive M8 Elz.	Washer M8 Elz.		DIN125
20	2	A220036	Foring, plast	Bushing, plastic		
21	2 <sup>2)</sup>	A910100	Reg.mek.	Adjustment mechanism	+ 042814	S

**Note:**

- 1) Selges kun i antall á 10 stk.  
 2) X-stoler har 2 X reg.mek

- Only for sale in qty of 10 pcs  
 X-chairs have 2 X Adjustment mech.

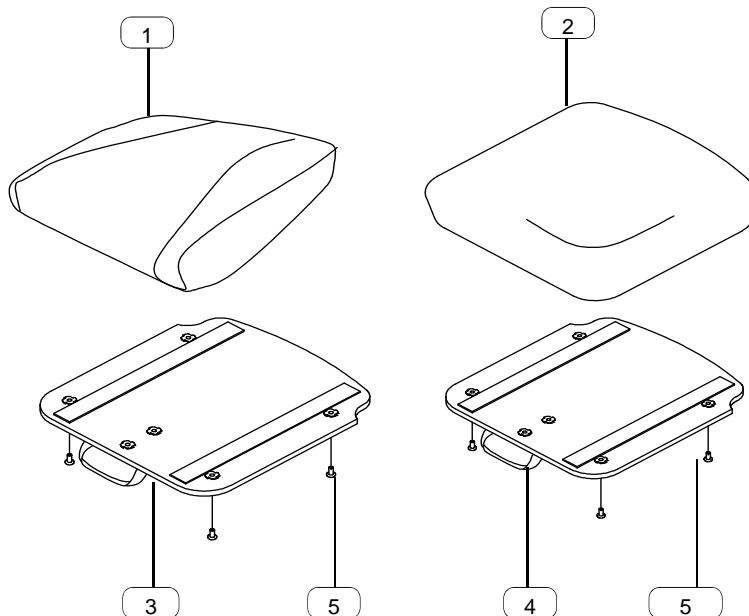


Pos	Ant/Qty	Art.No.	Beskrivelse	Description	EAN* 7070582	Note
1A	1	E226304	Seteramme, gul Cirrus K	Seat frame, yellow Cirrus K	+ 043293	S
1B	1	E226306	Seteramme, grå Cirrus K/Short	Seat frame, grey Cirrus K/Short	+ 043316	S
2	2 <sup>1)</sup>	A400010	M5x12 ISO 7380	M5x12 ISO 7380	+ 016044	S
3	2	A200003	Møbelmutter M6	Furniture nut M6	+ 015771	
4	2	A200004	Justeringsskinne for sete	Seat-slide unit	+ 015788	S
5	4	A200005	Pan.skrue M6x35 poz/Elz.	Cheese head screw M6x35 Elz.		DIN7985
6	5	A200006	Låsemutter M6 Nylock Elz.	Lock nut M6 Nylock Elz.		DIN985
7	4	A230006	Underlagsskive Ø6 Elz.	Washer Ø6 Elz.	+ 015832	DIN125
8	1	E200010	Sekskantskrue M6x20 Elz.	Hexagon screw M6x20 Elz.		DIN933
9	2	A200012	Låsemutter M8 Nylock Elz.	Lock nut M8 Nylock Elz.		DIN985
10	2 <sup>1)</sup>	A200013	Plastpropp	Plastic plug	+ 015801	S
11	1	E200009	Gassdemper	Gas damper		
12	2	92116	Plastskive Ø30/ø8 Sort	Plastic washer Ø30/ø8 Black	+ 014125	S
13	2	X970025	Skrue M8x30 Elz.	Screw M8X30 Elz		DIN7991
14	2 <sup>1)</sup>	A224005	Plastpropp**	Plastic plug**	+ 025824	S
15	2	A223004	Settskrue M8x8 A2	Set screw M8x8 A2		DIN916
16	2	A241004	Låseratt RS ø60 M8x12	Locking wheel RS ø60 M8x12	+ 015900	S
17	1	CA223205	Armlenefeste VE	Armrest tube LHS	+ 016525	S
18	1	CA223105	Armlenefeste HØ	Armrest tube RHS	+ 016501	S
19	1	A910100	Reg.mek.	Adjustment mechanism	+ 042814	S

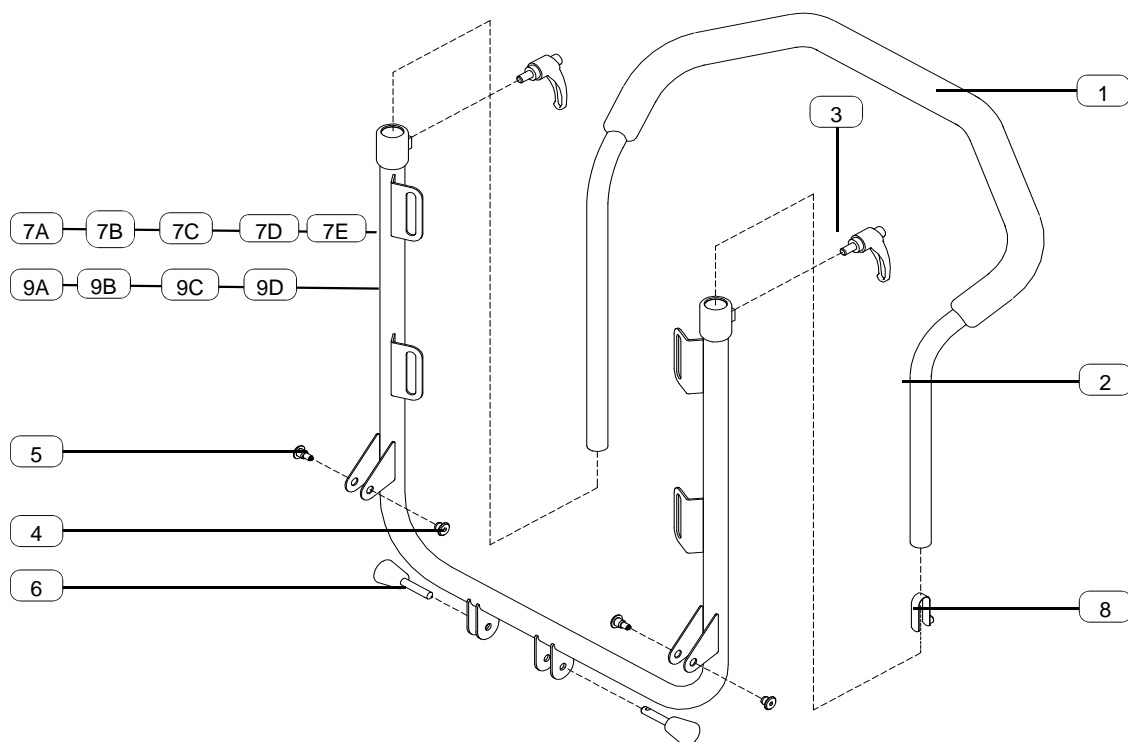
**Note:**

1) Pakke med 10 stk. Package 10 pcs.

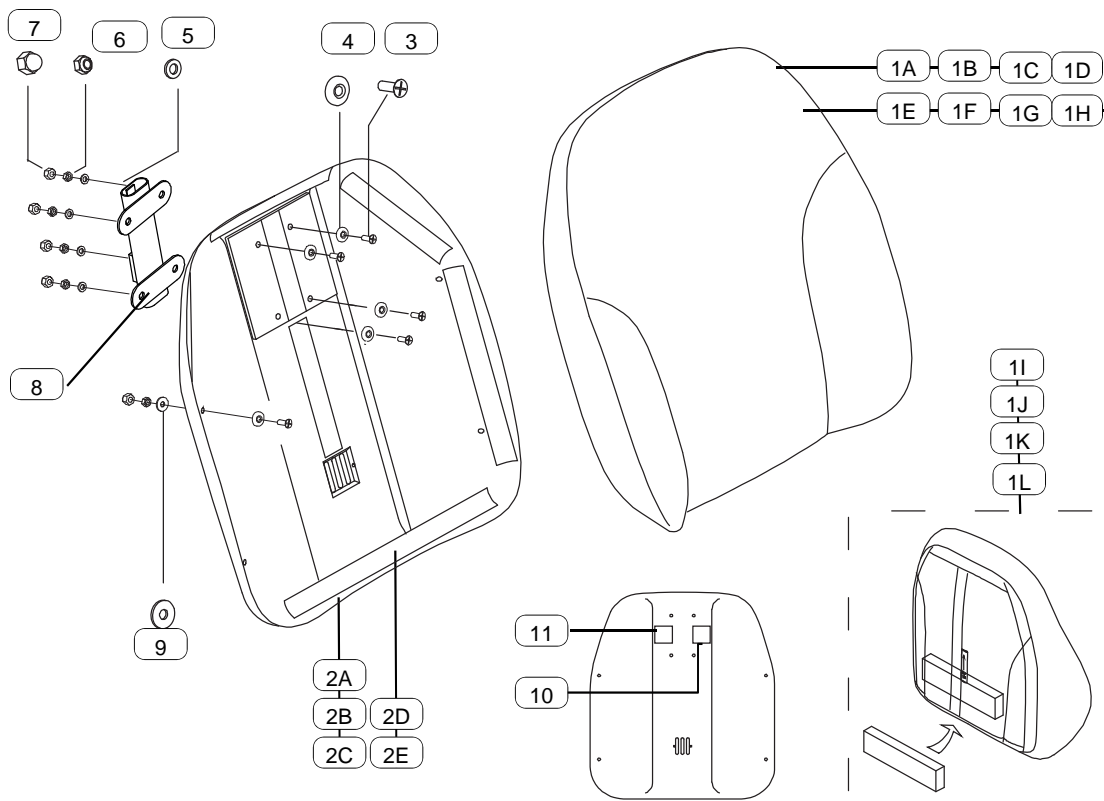




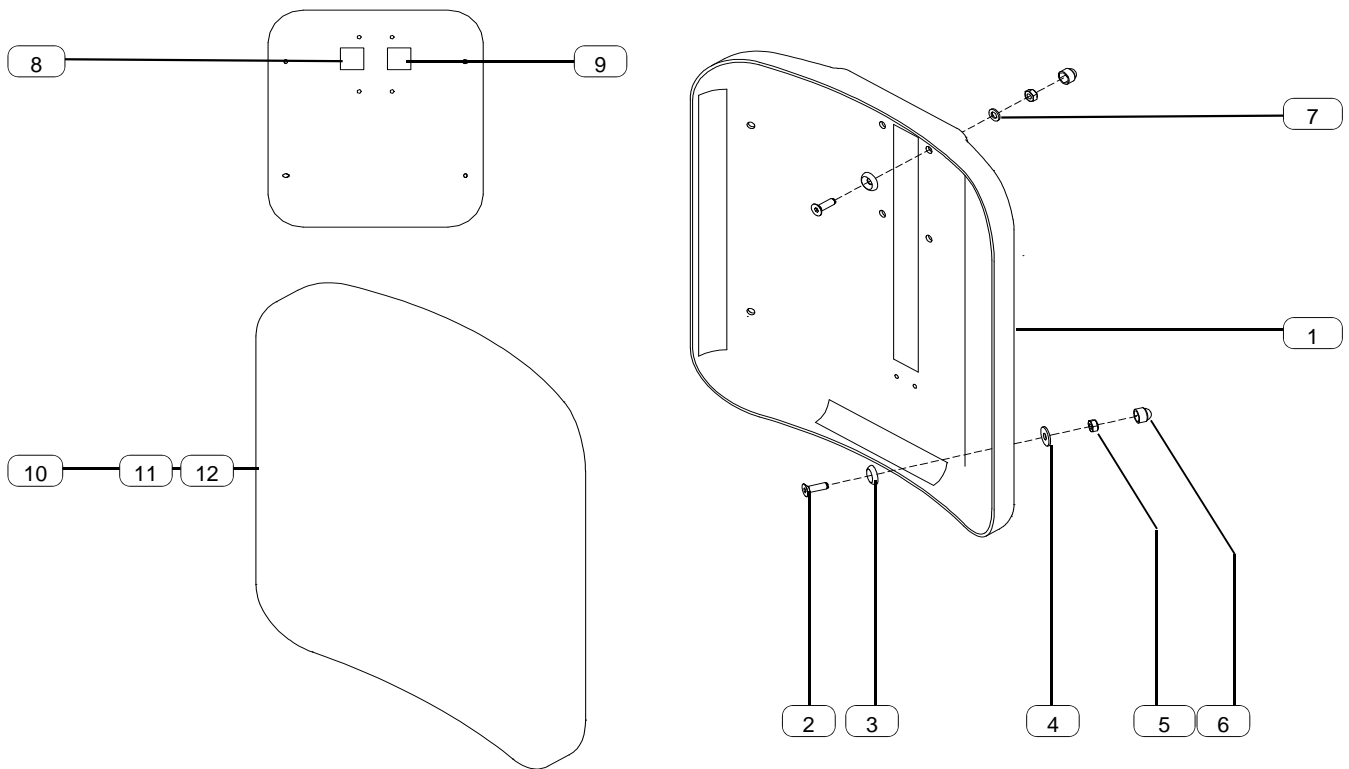
Pos	Ant/Qty	Art.No.	Beskrivelse	Description	EAN* 7070582	Note
1	1	CB230355	Pute, sete, skai std smal	Cushion, seat, vinyl, Narrow	+ 033782	S
1	1	CB230377	Pute, sete, Trevira std smal	Cushion, seat, Trevira, Narrow	+ 033799	S
1	1	CA230355	Pute, sete, skai std bred	Cushion, seat, vinyl Wide	+ 033706	S
1	1	CA230377	Pute, sete, Trevira std bred	Cushion, seat, Trevira Wide	+ 033713	S
1	1	AX230377	Pute sete Trevira std X-bred, Trevira	Cushion, seat Trevira grey X-Wide	+ 038817	S
1	1	AX230355	Setepute X-Bred, 52cm, C4 skai	Cushion, seat Vinyl X-Wide		S
1	1	XB230377	Pute, sete Trevira grå, X-65	Cushion, seat, Trevira, X-65	+ 043576	S
1	1	XB235377	Pute, sete Trevira grå, X-70	Cushion, seat, Trevira, X-70	+ 043590	S
2	1	CE230377	Pute, sete Trevira grå, Short	Cushion, seat, Trevira grey, Short	+ 043019	S
2	1	CE230355	Pute, skai grå, Short	Cushion, seat, Vinyl grey, Short	+ 043002	S
2	1	CE230380	Pute, sete, Trevira sort KID	Cushion, seat, Trevira black KID	+ 017164	S
3	1	CB230003	Seteplate finér smal	Seat plate plywood Narrow	+ 016907	S
3	1	CA230003	Seteplate finér bred	Seat plate plywood Wide	+ 016549	S
3	1	AX230003	Seteplate finér Ekstra bred	Seat plate, plywood X-Wide	+ 037216	S
3	1	XB230003	Seteplate finér X-65	Seat plate plywood X-65	+ 043569	S
3	1	XB235003	Seteplate finér X-70	Seat plate plywood X-70	+ 043583	S
4	1	CE230003	Seteplate finér KID/Short	Seat plate plywood KID/Short	+ 017140	S
5	4	X460007	Maskinskrue M6x12 pan/poz Elz.	Screw M6x12 pan/poz Elz.	+ 022052	DIN7985



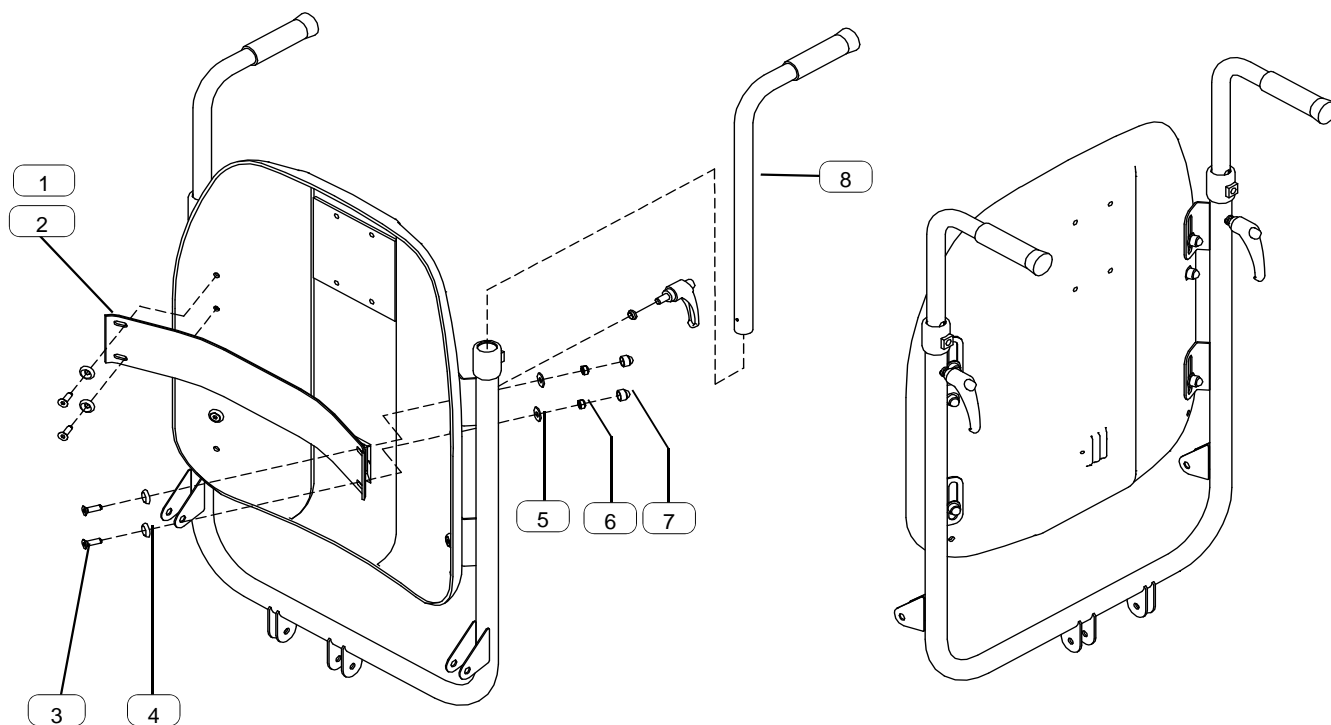
Pos	Ant/Qty	Art.No.	Beskrivelse	Description	EAN* 7070582	Note
1,2A-6,7A,8	1	CB300306	Ryggramme-enhet Smal komplett	Backrest unit Narrow complete	+ 033805	S
1,2B-6,7B,8	1	CA300306	Ryggramme-enhet bred, kompl.	Backrest unit wide, compl.	+ 033720	S
1,2C-6,7C,8	1	AX300306	Ryggramme-enh. ekstra bred, kompl.	Backrest unit extra wide, compl.	+ 033676	S
1,2D-6,7D,8	1	XB300306	Ryggramme-enh. X-65 komplett	Backrest unit X-65 complete	+ 043637	S
1,2E-6,7E,8	1	XB305306	Ryggramme-enh. X-70 komplett	Backrest unit X-70 complete	+ 043651	S
1,2A,8	1	B300110	Kjørebøyle, smal/KID/short, komplett	Push bar, narrow/KID/Short, complete	+ 033690	S
1,2B,8	1	A300110	Kjørebøyle, bred, komplett	Push bar, wide, complete	+ 033638	S
1,2C,8	1	AX300110	Kjørebøyle, ekstra bred, komplett	Push bar, extra wide, complete	+ 033669	S
1,2D,8	1	XB300110	Kjørebøyle X-65 komplett	Push bar X-65 complete	+ 043620	S
1,2E,8	1	XB305110	Kjørebøyle X-70 komplett	Push bar X-70 complete	+ 043644	S
1	1	X212000	Polstring, kjørebøyle	Foam, push bar	+ 021970	S
2A	1	B300106	Kjørebøyle, smal/KID/short, u/snaplås	Pushbar narr./KID/short wo/snap lock		
2B	1	A300106	Kjørebøyle, bred, u/snaplås	Push bar, wide, wo/snap lock		
2C	1	AX300106	Kjørebøyle, ekstra bred, u/snaplås	Push bar, extra wide, wo/snap lock		
2D	1	XB300106	Kjørebøyle X-65 u snaplås	Push bar X-65 wo/snap lock		
2E	1	XB305106	Kjørebøyle X-70 u snaplås	Push bar X-70 wo/snap lock		
3	2	X120006	Låsehendel	Locking handle	+ 021840	S
4	2 <sup>1)</sup>	A400010	M5x12 ISO 7380	M5x12 ISO 7380	+ 016044	S
5	2 <sup>1)</sup>	A200003	Møbelmutter M6	Furniture nut M6	+ 015771	
6	2	A320000	Festetapp, reg.mek.	Connection pin, adjustm. mech.	+ 015979	S
7A	1	B330306	Ryggramme, smal	Backrest frame, narrow	+ 033195	
	1	A330306	Ryggramme, bred	Backrest frame, wide	+ 032686	
7C	1	AX330306	Ryggramme, ekstra bred	Backrest frame, extra wide	+ 033683	
7D	1 <sup>2)</sup>	XB330306	Ryggramme X-65	Backrest frame X-65	+ 043668	
7E	1 <sup>2)</sup>	XB335306	Ryggramme X-70	Backrest frame X-70	+ 043675	
8	2 <sup>1)</sup>	A433000	Snaplås, komplett	Snap lock, complete	+ 016198	S
9A	1	E330303	Ryggramme KID/Short, Svart	Backrest frame KID/Short, Black		
9B	1	E330304	Ryggramme KID/Short, Gul	Backrest frame KID/Short, Yellow		
9C	1	E330305	Ryggramme KID/Short, Rød	Backrest frame KID/Short, Red		
9D	1	E330306	Ryggramme KID/Short, Grå	Backrest frame KID/Short, Grey		
Notes	1)		Selges kun i antall á 10 stk.	Only for sale in qty of 10 pcs		
	2)		X-stoler har 2 X reg.mek	X-chairs have 2 X Adjustment mech.		



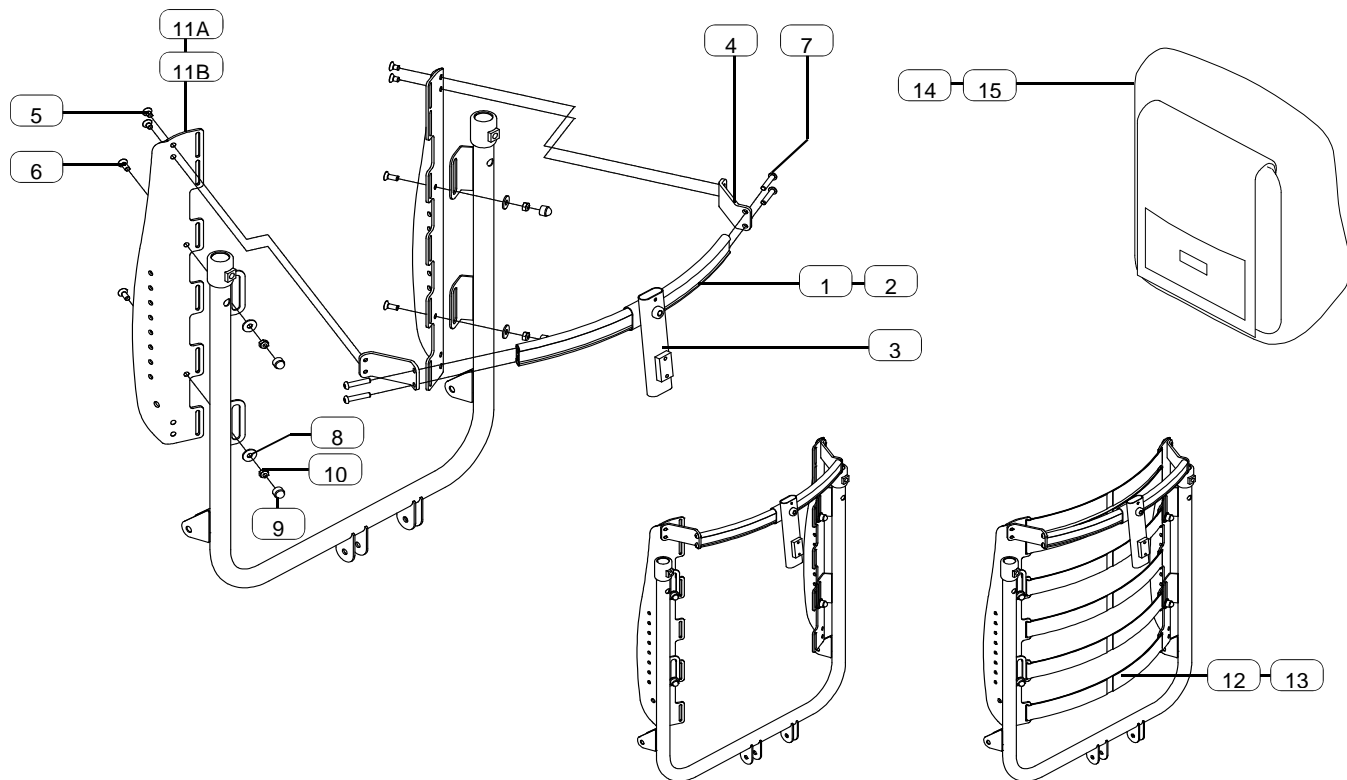
Pos	Ant/Qty	Art.No.	Beskrivelse	Description	EAN* 7070582	Note
1A	1	CB340355	Ryggpute skai Smal	Cushion vinyl Narrow	+ 033829	S
1B	1	CB340377	Ryggpute Trevira, Smal	Cushion Trevira Narrow	+ 033836	S
1C	1	CA340355	Ryggpute skai Bred	Cushion vinyl Wide	+ 033744	S
1D	1	CA340377	Ryggpute Trevira Bred	Cushion Trevira Wide	+ 033751	S
1E	1	AX340355	Ryggpute skai X-bred	Cushion vinyl X-wide	+ 038336	S
1F	1	AX340377	Ryggpute Trevira X-bred	Cushion Trevira X-wide	+ 042869	S
1G	1	XB340377	Ryggpute Trevira X-65	Cushion Trevira X-65	+ 043682	S
1H	1	XB345377	Ryggpute Trevira X-70	Cushion Trevira X-70	+ 043699	S
1I	1	CA341555	Ryggpute kyfose små sidest Skai bred	Cushion kyph. small lat.supp Vinyl wide	+ 035984	S
1J	1	CB341555	Ryggpute kyfose små sidest Skai smal	Cushion kyph.small lat.supp Vinyl Nar.	+ 036004	S
1K	1	CA341577	Ryggpute kyfose små sidest Trev bred	Cushion kyph. small lat.supp Trev wide	+ 035991	S
1L	1	CB341577	Ryggpute kyfose små sidest Trev smal	Cushion kyph.small lat.supp Trev Nar.	+ 036011	S
2A,3-11	1	CB340110	Ryggplate m/skruer og velcro Smal	Backrest shell w/screws & velcro Narr.	+ 033812	S
2B,3-11	1	CA340110	Ryggplate m/skruer og velcro Bred	Backrest shell w/screws & velcro Wide	+ 033737	S
2C,3-11	1	AX340110	Ryggplate m/skruer og velcro X-bred	Backrest shell w/screws & velcro X-wide	+ 042852	S
2D,3-11	1	XB340110	Ryggplate m/skruer og velcro X-65	Backrest shell/w/screws & velcro X-65		S
2E,3-11	1	XB345110	Ryggplate m/skruer og velcro X-70	Backrest shell/w/screws & velcro X-70		S
3-8	1	A931015	Feste hendel/nakkestøtte kpl sett	Fixation handle/headrest set	+ 016334	S
2A	1	CB340003	Ryggplate, ABS m/velcro Smal	Backrest shell, ABS w/velcro Narrow		
2B	1	CA340003	Ryggplate, ABS m/velcro Bred	Backrest shell, ABS w/velcro Wide		
2C	1	AX340003	Ryggplate aluminium ekstra bred	Backrest plate aluminium extra wide		
2D	1	XB340003	Ryggplate aluminium X-65	Backrest plate aluminium X-65		
	1	XB345003	Ryggplate aluminium X-70	Backrest plate aluminium X-70		
3	8	CA230004	Senkskrue M6x20 Elz.	Countersunk screw M6x20 Elz.		DIN7991
4	8	CA230007	Underlagsskive ø6	Washer ø6	+ 016556	
5	4	A230006	Underlagsskive M6	Washer M6	+ 015832	DIN125
6	8	A200006	Sikringsmutter M6 nylock	Keeper nut M6 nylock		DIN985
7	8	CA340006	Mutterhette M6	Nut cap M6		
8	1	A931315	Feste for justeringhendel	Bracket, adj. handle		
9	4	A340005	Skjermeskive ø6xø18x1,5	Washer ø6xø18x1,5		DIN9021
10	1 <sup>1)</sup>	A340010	Piktogram "Setetilt"	Pictogram "Seat adjustment"	+ 016006	S
11	1 <sup>1)</sup>	A340011	Piktogram "Ryggtilt"	Pictogram "Backrest adjustment"	+ 016013	S
Note:	1)		Selges kun i antall á 10 stk.	Only for sale in qty of 10 pcs		



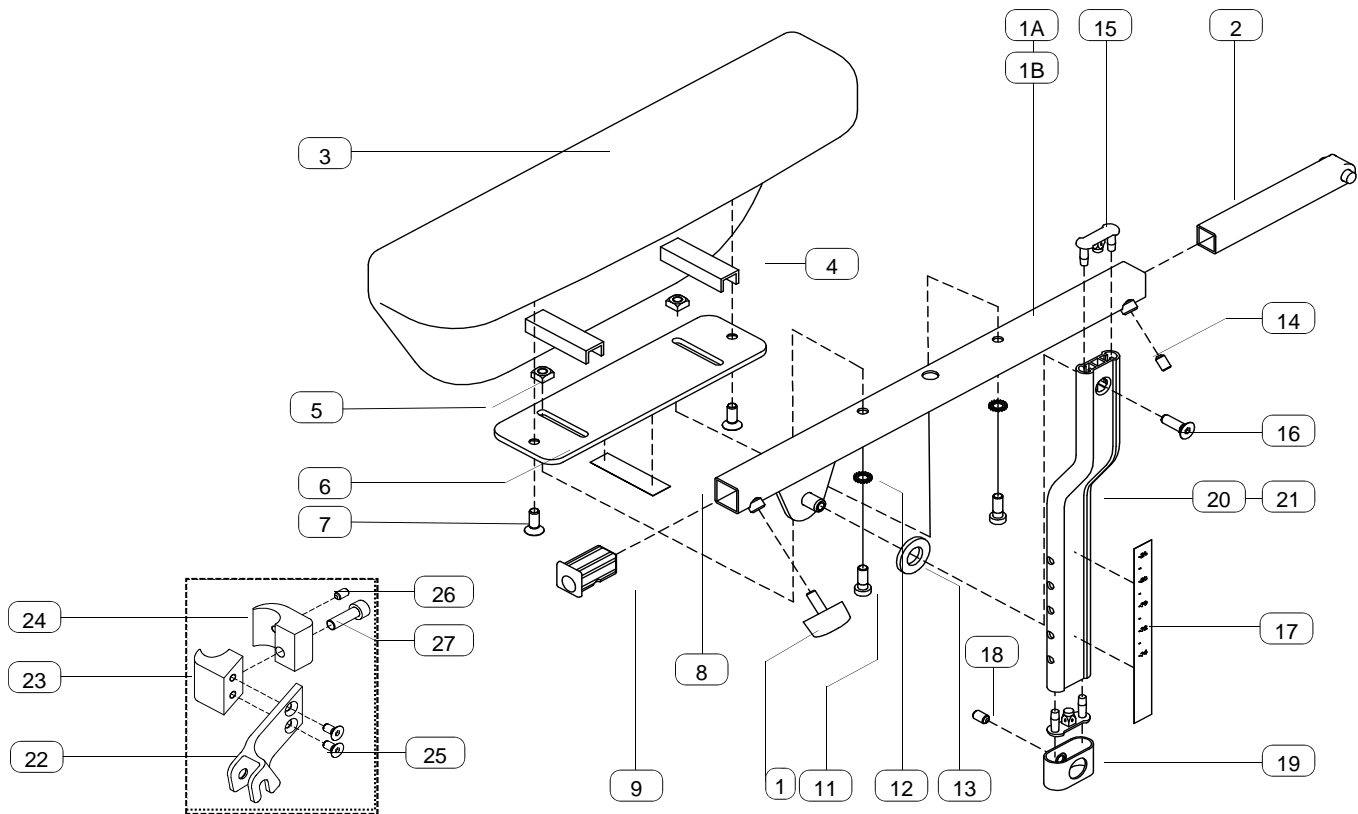
Pos	Ant/Qty	Art.No.	Beskrivelse	Description	EAN* 7070582	Note
1-9	1	CE340110	Ryggplate plast med festemateriell	Backrest shell w/fixing devices	+ 043026	S
1	1	CE340004	Ryggplate svart, Cirrus K	Backrest shell black, Cirrus K		
2	8	CA230004	Senkskrue M6x20 Elz.	Countersunk screw M6x20 Elz.		DIN7991
3	8	CA230007	Underlagsskive	Washer	+ 016556	
4	4	A340005	Underlagsskive M6 Elz.	Washer M6 Elz.		DIN9021
5	8	A200006	Låsemutter M6 Nylock Elz.	Lock nut M6 Nylock Elz.		DIN985
6	8	CA340006	Mutterhette M6	Nut cap M6		
7	4	A230006	Underlagsskive Ø6 Elz.	Washer Ø6 Elz.	+ 015832	DIN125
8	1	A340010	Piktogram "Setetilt"	Pictogram "Seat adjustment"	+ 016006	S
9	1	A340011	Piktogram "Ryggtilt"	Pictogram "Backrest adjustment"	+ 016013	S
10	1	CE340377	Pute, rygg, Trevira grå, Short	Cushion back, Trevira grey, Short	+ 043040	S
11	1	CE340380	Ryggpute, svart, Cirrus K	Cushion back, black Cirrus K	+ 017195	S
12	1	CE340355	Pute, rygg, skai grå, Short	Cushion back, Vinyl grey, Short	+ 043033	S



Pos	Ant/Qty	Art.No.	Beskrivelse	Description	EAN* 7070582	Note
1, 3-8	1	A300500	Kjørehåndtak med tverrør, bred	Push handles with cross bar, wide	+ 042692	S
2, 3-8	1	B300500	Kjørehåndtak med tverrør, smal	Push handles with cross bar, narrow	+ 042890	S
1	1	A300510	Tverrør for kjørehåndtak, bred	Cross bar for push handles, wide		
2	1	B300510	Tverrør for kjørehåndtak, smal	Cross bar for push handles, narrow		
3	4	CA230004	Senkskrue M6x20 Elz.	Countersunk screw M6x20 Elz.		DIN7991
4	4	CA230007	Underlagsskive	Washer	+ 016556	S
5	4	A340005	Underlagsskive M6 Elz.	Washer M6 Elz.		DIN9021
6	4	A200006	Låsemutter M6 Nylock Elz.	Lock nut M6 Nylock Elz.		DIN985
7	4	CA340006	Mutterhette M6	Nut cap M6		
8	2	3005501	Kjørehåndtak	Push handle	+ 039913	S



Pos	Ant/Qty	Art.No.	Beskrivelse	Description	EAN* 7070582	Note
1,3-12,14	1	CA300400	Velcroygg, bred komplett, Trevira	Velcro backrest, wide compl., Trevira	+ 034581	S
2-11,13,15	1	CB300400	Velcroygg, smal komplett, Trevira	Velcro backrest, narrow compl. Trevira	+ 034598	S
1	1	CA300417	Tverrprofil, bred	Cross profile, wide		
2	1	CB300417	Tverrprofil, smal	Cross profile, narrow		
3	1	CA300420	Feste for hodestøtte	Attachment bracket for headrest		
4	2	CA300413	Festebrakett for tverrprofil	Attachment bracket for cross profile		
5	4	5 121 607	UNB Skrue M6x10 Senk Sort	Screw M6x10 countersunk Black		DIN7991
6	4	97 171	UNB Skrue M5x16 Elz.	Socket screw M6x16 Elz		DIN7991
7	8	86 998	UNB Skrue M6x40 Linse Elz.	Socket screw M6x40 Lens Elz.		ISO7380
8	4	A340005	Underlagsskive M6 Elz.	Washer M6 Elz.		DIN9021
9	4	CA340006	Mutterhette M6	Nut cap M6		
10	4	A200006	Låsemutter M6 Nylock Elz.	Lock nut M6 Nylock Elz.		DIN985
11A	1	CA300411	Festeskinne for velcrostropper HØ	Attachment rail for velcro straps RHS		
11B	1	CA300412	Festeskinne for velcrostropper VE	Attachment rail for velcro straps LHS		
12	4	CA300430	Velcrostropp, bred	Velcro strap, wide		
13	4	CB300430	Velcrostropp, smal	Velcro strap, narrow		
14	1	CA300387	Velcropute bred, Trevira	Velcro cushion wide, Trevira	+ 037025	S
15	1	CB300387	Velcropute smal, Trevira	Velcro cushion narrow, Trevira	+ 038893	S



Pos	Ant/Qty	Art.No.	Beskrivelse	Description	EAN* 7070582	Note
1A-20	1	CA243015	Armlene u. hengsle HØ	Armrest without hinge RHS	+ 035960	S
1B-20	1	CA243025	Armlene u. hengsle VE	Armrest without hinge LHS	+ 035977	S
1A-19,21	1	XB243015	Armlen u/hengsle X-65-70 HØ	Armrest wo/hinge X65-70 RHS	+ 043606	S
1B-19,21	1	XB243025	Armlen u/hengsle X-65-70 VE	Armrest wo/hinge X65-70 LHS	+ 043613	S
1A	1	A240150	Festerør armlen HØ	Fixation tube armrest RHS		
1B	1	A240250	Festerør armlen VE	Fixation tube armrest LHS		
2	1	A242230	Koblingsrør m/snoplås	Connection tube w/snap lock	+ 015948	S
3	1	CA240050	Pads armlen	Pad armrest		
4	2	A240055	Ledeskinne for mutter	Check rail for nut		
5	2	97 197	Firkantmutter M6 Elz	Nut M6 Elz		DIN557
6	1	A240060	Feste for armlenepads	Fixation for armrest pad		
7	2	CA340007	UNB Skruer M6x16 Senk Elz.	Screw M6x16 countersunk Elz.		DIN7991
8	1	96 855	Breddeskala merke	Width scale label		
9	1 <sup>1)</sup>	A240021	Plastpropp	Plastic plug	+ 039623	S
10	1	A520005	Vingeskrue	Wing screw		S
11	2	97 220	Skruer M6x16 Lav Elz.	Screw M6x16 Low Elz.		DIN7984
12	2	429-6	Tannskive M6	Grooved washer M6		
13	1	92 200	Skive for trinse Ø25/Ø13	Washer for roller Ø25/Ø13		
14	1	A910028	Settskrue M6x10 hul ende	Set screw M6x10 cup point		DIN916
15	2 <sup>1)</sup>	A240020	Plastpropp	Plastic plug	+ 015870	S
16	1	CA230004	Senkskrue M6x20 Elz.	Countersunk screw M6x20 Elz.		DIN7991
	1	96 854	Høydeskala merke	Height scale label		
18	1	97 338	Settskrue M6x8	Set screw M6x8		DIN916
19	1	A240065	Memory-hylse	Memory sleeve		
20	1	CA240006	Alu-profil	Alu-profile	+ 016594	S
21	1	XB240006	Alu-profil kompakt	Alu-profile compact		

**Note:**

1) Selges kun i antall á 10 stk. Only for sale in qty of 10 pcs

**Fortsetter neste side**

**Continues next page**

Pos	Ant/Qty	Art.No.	Beskrivelse	Description	EAN* 7070582	Note
22B,23A,24A-27	1	E243035	Bakre hengsel kompl., HØ	Rear hinge complete, RHS	+ 043323	S
22A,23B,24B-27	1	E243045	Bakre hengsle kompl., VE	Rear hinge complete, LHS	+ 043330	S
22A	1	E242111	Gaffel HØ	Fork RHS		
22B	1	E242112	Gaffel VE	Fork LHS		
23A	1	A242115	Feste HØ	Clamp RHS		
23B	1	A242116	Feste VE	Clamp LHS		
24A	1	A242117	Klemme HØ	Mounting clamp RHS		
24B	1	A242118	Klemme VE	Mounting clamp LHS		
25	2	CX160003	UNB Skrue M6x12 Senk Elz.	Screw M6x12 countersunk Elz.		DIN7991
26	1	A910028	Settskrue M6x10 hul ende	Set screw M6x10 cup point		DIN916
27	1	A242105	UNB Skrue M8x25 Syl. Elz.	Socket screw M8x25 Cyl. Elz.		DIN912
22A,23A,24A-27	1 <sup>2)</sup>	E242035	Bakre hengsel kompl., HØ	Rear hinge complete, RHS	+ 018017	S
22B,23B,24B-27	1 <sup>2)</sup>	E242045	Bakre hengsle kompl., VE	Rear hinge complete, LHS	+ 018024	S

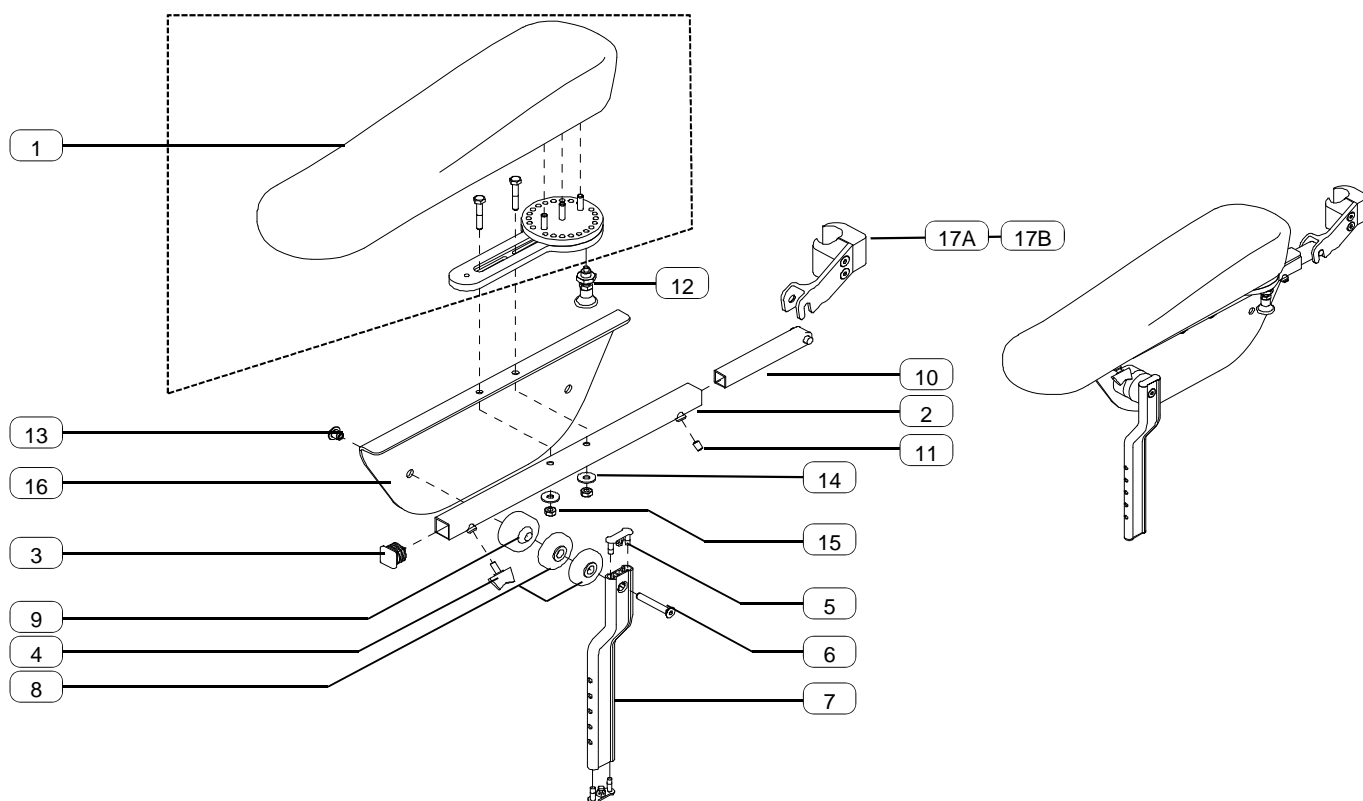
**Note:**

2)

Passer Kid/Short

Applicable to Kid/Short





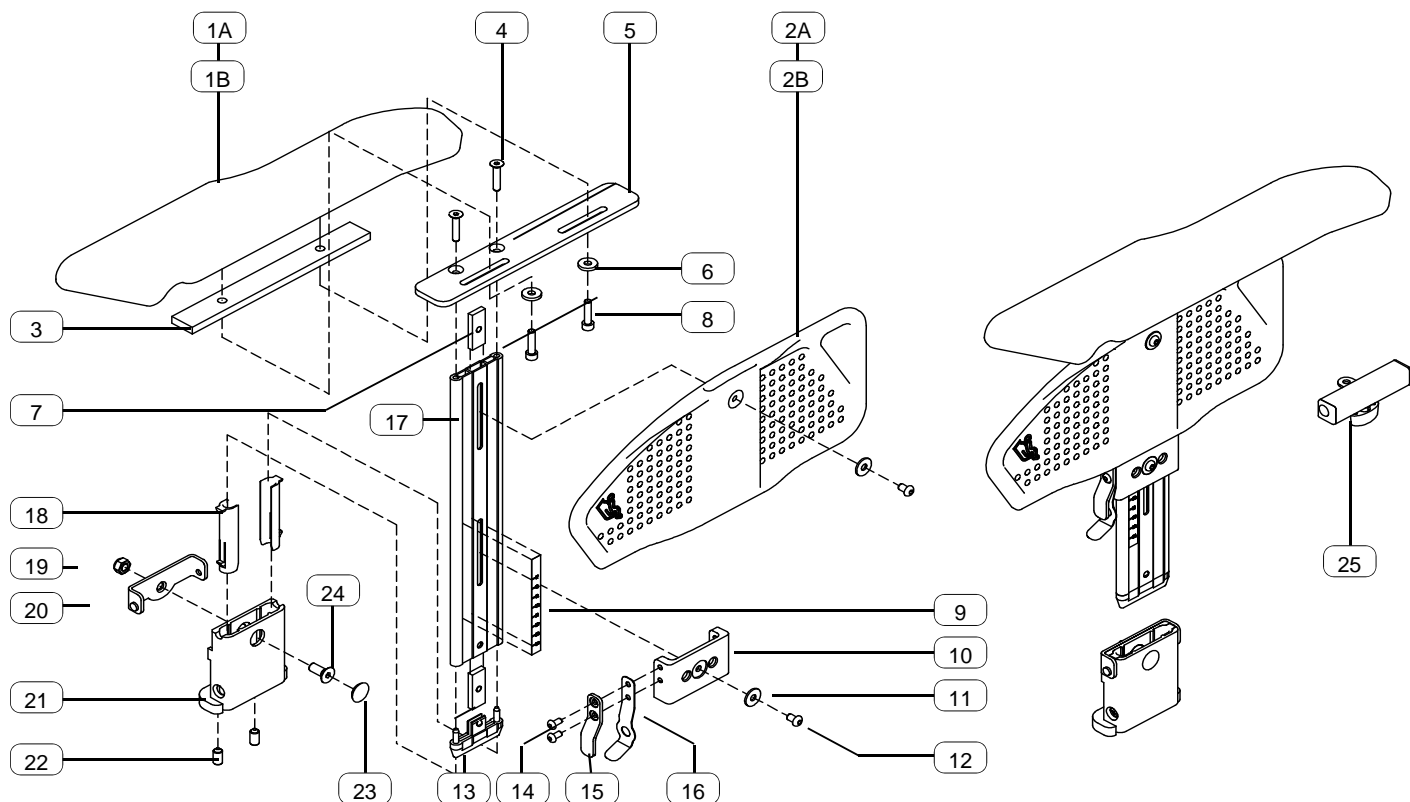
Pos	Ant/Qty	Art.No.	Beskrivelse	Description	EAN* 7070582	Note
1-16,17A	1	CA242515	Armlene Hemiplegi HØ	Armrest hemiplegia RHS	+ 035762	S
1-16,17B	1	CA242525	Armlene Hemiplegi VE	Armrest hemiplegia LHS	+ 035779	S
1	1	3006160	Armlenepad hemiplegi HS=VS	Armrest pad hemiplegia RHS=LHS	+ 046164	S
2	1	CA242550	Festerør HØ=VE	Fixation tube RHS=LHS		
3	1 <sup>1)</sup>	A240012	Plastpropp	Plastic plug	+ 015863	S
4	1	A520005	Vingskrue	Wing screw		S
5	2 <sup>1)</sup>	A240020	Plastpropp	Plastic plug	+ 015870	S
6	1	97250	UNB Skrue M6x45 Senk Elz.	Screw M6x45 countersunk Elz.		DIN7991
7	1	CA240006	Alu-profil	Alu-profile	+ 016594	S
8	2	A242008	Distansehylse, plast	Spacer, plastic	+ 015917	S
9	1	X901006	Distansehylse, plast	Spacer, plastic	+ 022311	S
10	1	A242230	Koblingsrør m/snaplås	Connection tube w/snap lock	+ 015948	S
11	1	97338	Settskrue M6x8	Set screw M6x8		DIN916
12	1	A710003	Innstillingsbolt	Adjusting screw	+ 016228	S
13	1	A200003	Møbelmutter M6	Furniture nut M6	+ 015771	
14	2	A340005	Underlagsskive M6 Elz.	Washer M6 Elz.		DIN9021
15	2	A200006	Låsemutter M6 Nylock Elz.	Lock nut M6 Nylock Elz.		DIN985
16	1	CA242552	Plate klesbeskytte HØ=VE	Plate side guard RHS=LHS		
17A	1	E242035	Bakre hengsel kompl., HØ	Rear hinge complete, RHS	+ 018017	S
17B	1	E242045	Bakre hengsle kompl., VE	Rear hinge complete, LHS	+ 018024	S

**Note:**

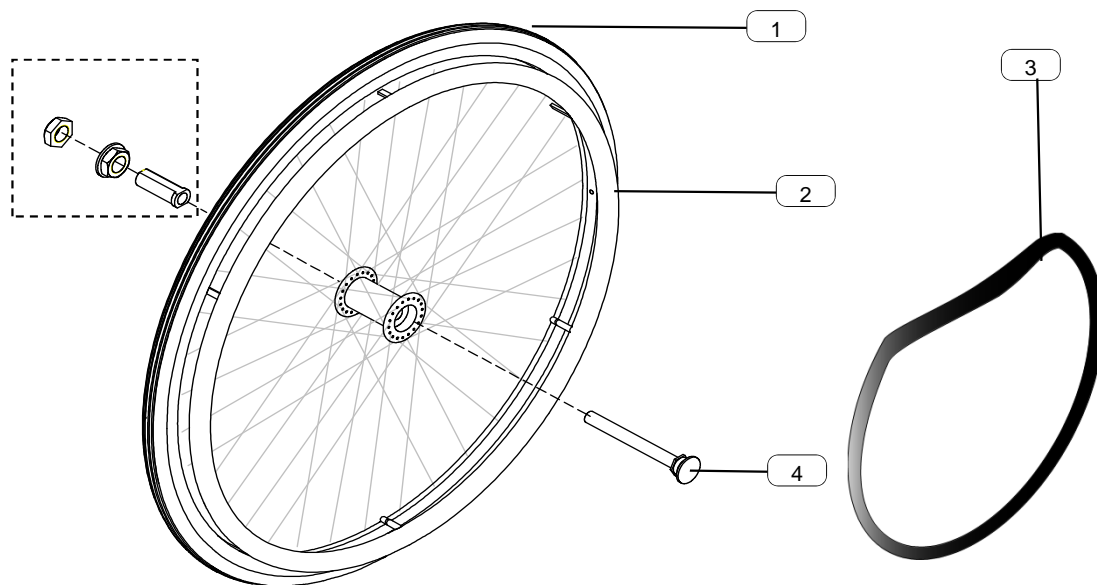
1)

Selges kun i antall á 10 stk.

Only for sale in qty of 10 pcs



Pos	Ant/Qty	Art.No.	Beskrivelse	Description	EAN* 7070582	Note
1A,2A,3-24	1	CA244015	Armlene fast - avtagbart HØ	Armrest rigid - detachable RHS	+ 042920	S
1B,2B,3-24	1	CA244025	Armlene fast - avtagbart VE	Armrest rigid - detachable LHS	+ 042937	S
1A,2A,3-17	1	CA244115	Armlene fast HØ	Armrest rigid RHS	+ 042944	S
1B,2B,3-17	1	CA244215	Armlene fast VE	Armrest rigid LHS	+ 042968	S
1A	1	3006120	Pads armlen HØ	Pads armrest RHS	+ 039920	S
1B	1	3006121	Pads armlen VE	Pads armrest LHS	+ 039937	S
2A	1	3306210	Klesbeskytter HØ	Side guard RHS	+ 031054	S
2B	1	3306211	Klesbeskytter VE	Side guard LHS	+ 031061	S
3	1	3416118	Innfesting armlenepads	Fixation armrest pads		
4	2	86990	UNB Skruer M6x30 Senk Elz.	Screw M6x30 countersunk Elz.		DIN7991
5	1	CA244323	Festeplate armlen	Fixing plate armrest		
6	2	97103	Underlagsskive ø6,4x17x1,6 Elz.	Washer ø6,4x17x1,6 Elz.		DIN6340
7	2	3306106	Festeplate armlen	Clamping plate	+ 031016	S
8	2	97159	UNB Skruer M6x25 Syl. Elz.	Socket screw M6x25 cyl. Elz.		DIN912
9	1	96672	Merke, skala armlen	Label, scale armrest		
10	1	CA244313	Høydejustering armlene	Height adjustment armrest		
11	2	A340005	Underlagsskive M6 Elz.	Washer M6 Elz.		DIN9021
12	2	97168	UNB Skruer M6x10 Linse Elz	Socket screw M6x10 Lens Elz		ISO7380
13	1	3306110	Endepropp plast armlenepprofil	End plug plastic armrest profile	+ 031030	S
14	2	97227	UNB Skruer M5x10 Linse Elz.	Socket screw M5x10 Lens Elz.		ISO7380
15	1	CA244319	Klemme	Limiting clamp		
	1	97227	UNB Skruer M5x10 Linse Elz.	Socket screw M5x10 Lens Elz.		ISO7380
17	1	3306101	Armlenprofil standard 33 cm	Armrest profile standard 33 cm		
18-24	1	CA244205	Feste for avtagbart armlene HØ=VE	Fixing for rigid armrest RHS=LHS	+ 042951	S
18	2	3306103	Plastikkforing, armlene	Plastic sleeve, armrest	+ 030958	S
19	1	A200012	Låsemutter M8 Nylock Elz.	Lock nut M8 Nylock Elz.		DIN985
20	1	CA244301	Festeplate sveist	Clamping plate welded		
21	1	CA244300	Armlenefeste sveist	Armrest fixing welded		
22	2	97181	Settskrue M8x16, Svart	Set screw M8x16, black		DIN916
23	1	A224005	Plastpropp**	Plastic plug**	+ 025824	S
24	1	89020	UNB Skruer M8x20 Senk Elz.	Screw M8x20 countersunk Elz.		DIN7991
25	1	3406120	Festebrett bord	Fixing bracket table	+ 041336	S

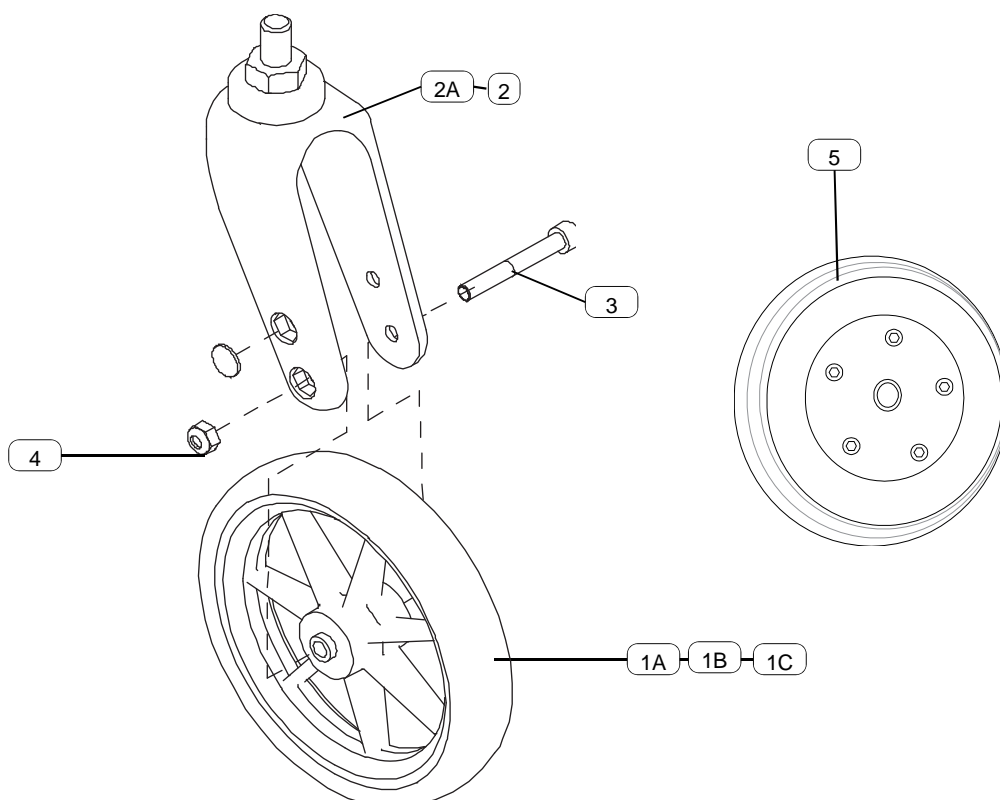


Pos	Ant/Qty	Art.No.	Beskrivelse	Description	Note
1	1	84410	20" Drivhjul Luft, 37mm Alu dr	20" Drive wheel Pneu, 37mm alu pr.	S
1	1	84412	20" Drivhjul Luft, 37mm Grip dr	20" Drive wheel Pneu, 37mm grip pr.	S
1	1	84415	20" Drivhjul Komp. 37 mm Alu dr stålfelg	20" Drive wheel Comp. 37mm alu pr	S
1	1	84430	22" Drivhjul Luft, 37mm Alu dr	22" Drive wheel Pneu, 37mm alu pr.	S
1	1	84432	22" Drivhjul Luft, 37mm Grip dr	22" Drive wheel Pneu, 37mm grip pr.	S
1	1	84435	22" Drivhjul Komp. 37 mm Alu dr stålfelg	22" Drive wheel Comp. 37mm alu pr	S
1	1	84450	24" Drivhjul Luft, 37mm Alu dr	24" Drive wheel Pneu, 37mm alu pr.	S
1	1	84452	24" Drivhjul Luft, 37mm Grip dr	24" Drive wheel Pneu, 37mm grip pr.	S
1	1	84455	24" Drivhjul Komp. 37 mm Alu dr stålfelg	24" Drive wheel Comp. 37mm alu pr	S
2	1	84540	20" Drivring Eloksert	20" Pushrim anodized	S
2	1	84541	22" Drivring Eloksert	22" Pushrim anodized	S
2	1	84542	24" Drivring Eloksert	24" Pushrim anodized	S
2	1	84544	20" Grip Drivring Silikonbelagt	20" Pushrim Grip friction	S
2	1	84545	22" Grip Drivring Silikonbelagt	22" Pushrim Grip friction	S
2	1	84546	24" Grip Drivring Silikonbelagt	24" Pushrim Grip friction	S
3	1	84536	20" Silikon Grip overdrag drivring	20" Grip friction pushrim cover	S
3	1	84537	22" Silikon Grip overdrag drivring	22" Grip friction pushrim cover	S
3	1	84538	24" Silikon Grip overdrag drivring	24" Grip friction pushrim cover	S
4	1	84530	QR ø12x103 m/logo	QR ø12x103 w/logo	S

**Note:**

X-modeller kun 24"

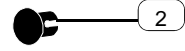
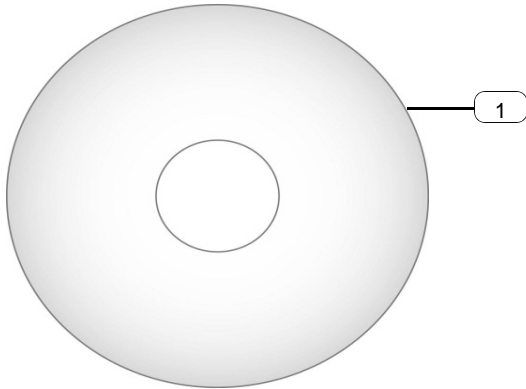
X-models 24" only



Pos	Ant/Qty	Art.No.	Beskrivelse	Description	EAN* 7070582	Note
1A,2A,3-4	2 **	X973110	Gaffel med hjul 7", komplett (24")	Wheel fork w/wheel 7", compl. (24")	+ 022519	S
1B,2A,3-4	2	X973111	Gaffel med hjul 5", komplett (22")	Wheel fork w/wheel 5", compl. (22")	+ 025367	S
1B,2A,3-4	2	X973112	Gaffel med hjul 5", komplett (20")	Wheel fork w/wheel 5", compl. (20")	+ 022526	S
1C,2A,3-4	2	X973113	Gaffel med hjul 5,5", komplett	Wheel fork w/wheel 5,5", compl	+ 025138	S
1A	1	X973105	7" Forhjul kompakt	7" Steering wheel Compact		
1B	1	84552	5" Forhjul kompakt 125x27mm	5" Front wheel comp 125x27mm		S
1C	1	110470	Svinghjul 5,5" poly m/plastfelg komplett	Castor assy 5,5" poly w/plastic rim		S
2A	1	X973100	Gaffel 142x45 Sort plast	Wheel fork 142x45 Black plastic		
2B	1 <sup>1)</sup>	X973102	Gaffel 142x60	Wheel fork 142x60		S
3	1	97208	UNB Skrue M8x60 Syl. Elz.	Socket screw M8x60 Cyl. Elz.		DIN912
4	1	A200012	Låsemutter M8 Nylock Elz.	Lock nut M8 Nylock Elz.		DIN985
5	1 <sup>2)</sup>	IKM0200	Fronthjul på felg 200x50	Front wheel on rim 200x50		S

**Note:**

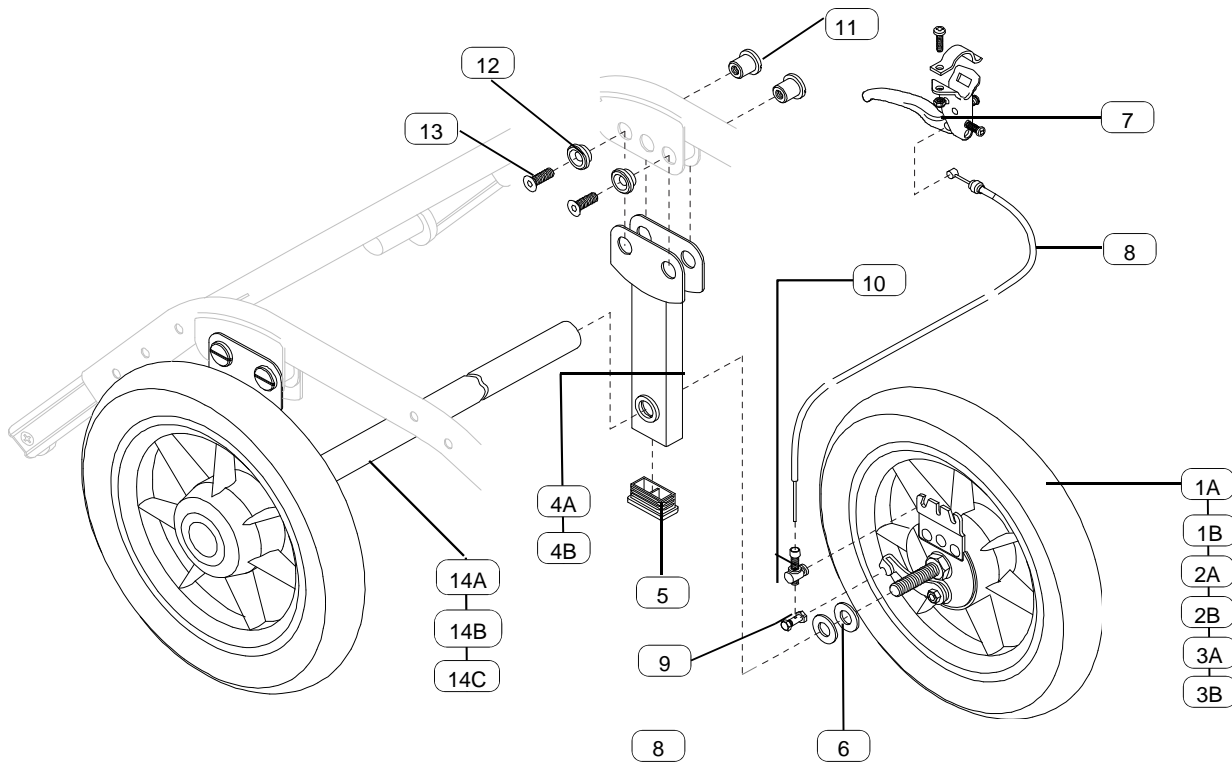
- 1) Standard Standard
- 2) Standard for X 65 og X 70 Standard with X 65 and X 70



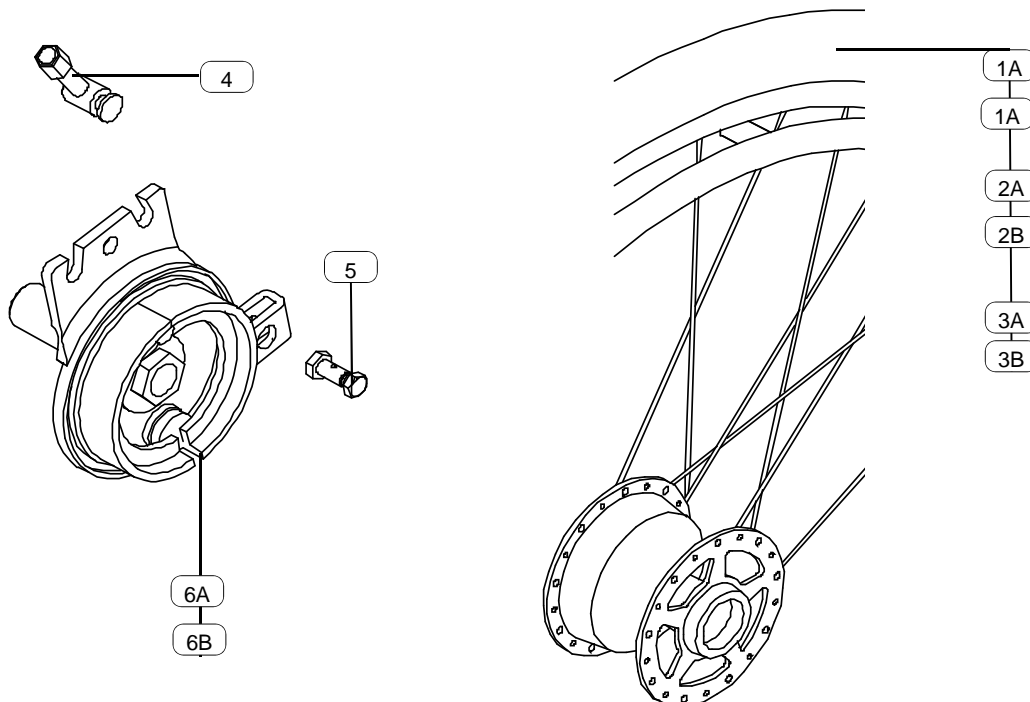
Pos	Ant/Qty	Art.No.	Beskrivelse	Description	EAN* 7070582	Note
1	1	53272	Eikebeskytter 20" Klar	Spoke guards 20" Clear	+ 006632	S
1	1	53273	Eikebeskytter 22" Klar	Spoke guards 22" Clear	+ 006649	S
1	1	51686	Eikebeskytter 24" Klar	Spoke guards 24" Clear	+ 006434	S
2	6 <sup>1)</sup>	84675	Festep lugger for eikebeskyttere	Fixation plugs for spoke guards		S

**Note:**

1) Pakke med 50 stk. Package 50 pcs.



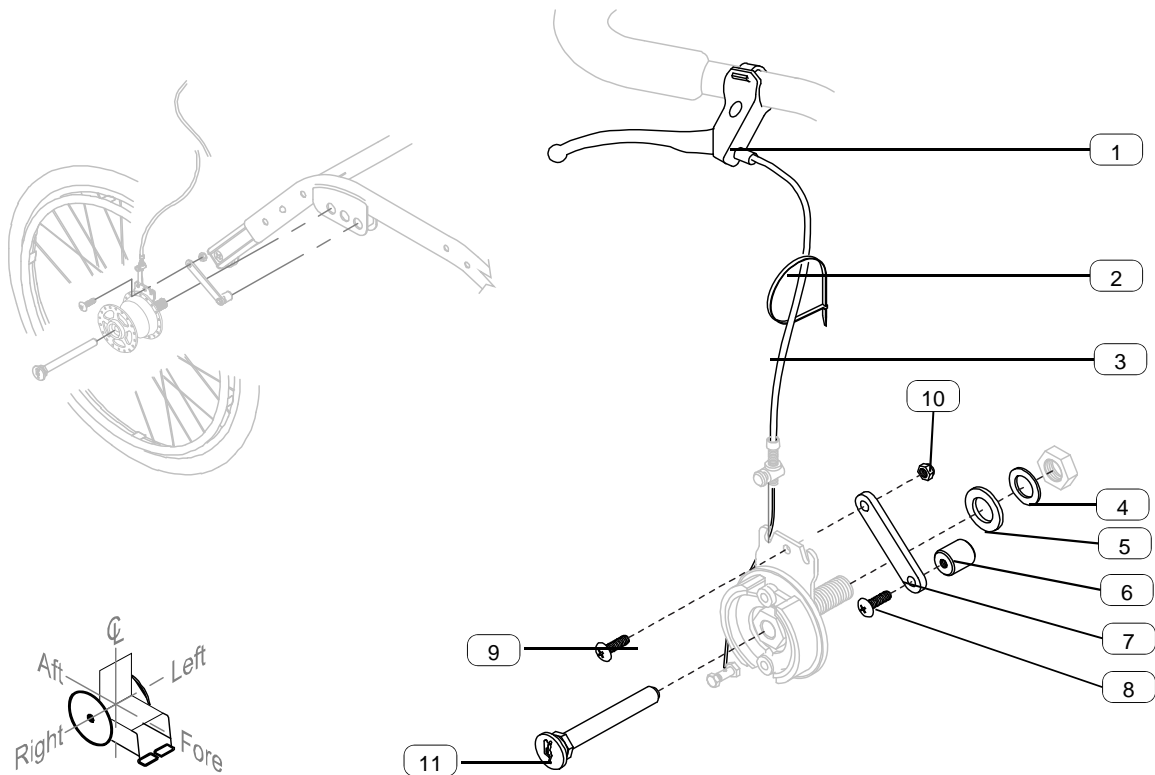
Pos	Ant/Qt	Art.No.	Beskrivelse	Description	EAN* 7070582	Note
1,4A,5-13,14A	1	X970015	Transportunderstell bred, luft, 12"	Transp. chassis wide, pneu, 12"	+ 022373	S
2,4A,5-13,14A	1	X972015	Transp.underst. bred, kompakt, 12"	Transp. chassis wide flexel, 12"	+ 022465	S
1,4A,5-13,14B	1	X973015	Transportunderstell smal, luft, 12"	Transp. chassis narrow, pneu, 12"	+ 022489	S
2,4A,5-13,14B	1	X974015	Transp.underst. smal, kompakt, 12"	Transp. chassis narrow flexel, 12"	+ 022557	S
3,4B,5-13,14A	1	X972515	Transp.underst. bred, kompakt, 16"	Transp. chassis wide flexel, 16"	+ 043422	S
3,4B,5-13,14B	1	X974515	Transp.underst. smal, kompakt, 16"	Transp. chassis narrow flexel, 16"	+ 043439	S
2,4A,5-13,14C	1	AX972000	Transp.underst. X-bred, kompakt, 12"	Transp. chassis X-Wide flexel, 12"	+ 016402	S
1A	1	X970004	Hjul luft 12" m/brems, HØ	Wheel pneum. 12" w/brakes, RHS	+ 022366	S
1B	1	X970003	Hjul luft 12" m/brems, VE	Wheel pneum. 12" w/brakes, LHS	+ 022359	S
2A	1	X970104	12" hjul kompakt m/brems HØ	12" wheel flexel w/brakes RHS	+ 022410	S
2B	1	X970204	12" Hjul kompakt m/brems VE	12" wheel flexel w/brakes LHS	+ 022434	S
3A	1	3007880	16" Hjul kompakt m/brems HØ	16" wheel flexel w/brakes RHS	+ 039968	S
3B	1	3007881	16" Hjul kompakt m/brems VE	16" wheel flexel w/brakes LHS	+ 039975	S
4A	1	X971115	Hjulbrakett, HØ=VE, lang	Wheel anchor bracket, RHS=LHS, long	+ 022458	S
4B	1	X976115	Hjulbrakett, HØ=VE, kort	Wheel anchor bracket, RHS=LHS, short	+ 043446	S
5	1	X970011	Plastpropp 40x20	Plastic plug 40x20		
6	2	X970006	Skive ø12 Elz.	Washer ø12 Elz.		DIN125
7	1	3008150	Bremsehåndtak Ø21	Brake lever Ø21	+ 039630	S
8	1	3309991	Wire for ledsagerbrems	Wire for drum brake	+ 039647	S
9	1	84572	Skruenippel for bremsehjul	Screw nipple for brake	+ 012077	
10	1	A100031	Kabelstrammer for bremsehjul	Cable tensioning gear for brake	+ 015641	
12	2	X970021	Gjenget klembrikke	Collar bush (internal threads)		
13	2	X970022	Klembrikke, kort	Collar bush, short		
14A	1	A224004	UNB skruer M8x25 senk Elz.	Screw M8x25, hex countersunk Elz.		DIN7991
14B	1	X970065	Tverrstag, transp.underst., bred	Cross tube, transp. chassis, wide		
14C	1	X975065	Tverrstag, transp.underst., smal	Cross tube, transp. chassis, narrow		
14C	1	AX970060	Tverrstag, transp.underst., x-bred	Cross tube, transp. chassis, x-bred		



Pos	Ant/Qty	Art.No.	Beskrivelse	Description	EAN* 7070582	Note
1A,4,5,6A	1 <sup>1)</sup>	84586	24" Luft, trommelbrems kompl. HØ	24" Pneu, Drum brake Compl. RHS	+ 012183	S
1A,4,5,6B	1 <sup>1)</sup>	84587	24" Luft, trommelbrems kompl. VE	24" Pneu, Drum brake Compl. LHS	+ 012190	S
1B,4,5,6A	1 <sup>1)</sup>	84584	24" Kompakt, trommelbrems kompl. HØ	24" Solid, Drum brake Compl. RHS	+ 012169	S
1B,4,5,6B	1 <sup>1)</sup>	84585	24" Kompakt, trommelbrems kompl. VE	24" Solid, Drum brake Compl. LHS	+ 012176	S
2A,4,5,6A	1	84598	22" Luft, trommelbrems kompl. HØ	22" Pneu, Drum brake Compl. RHS	+ 030484	S
2A,4,5,6B	1	84599	22" Luft, trommelbrems kompl. VE	22" Pneu, Drum brake Compl. LHS		S
2B,4,5,6A	1	84596	22" Kompakt, trommelbrems kompl. HØ	22" Solid, Drum brake Compl. RHS		S
2B,4,5,6B	1	84597	22" Kompakt, trommelbrems kompl. VE	22" Solid, Drum brake Compl. LHS		S
3A,4,5,6A	1	84582	20" Luft, trommelbrems kompl. HØ	20" Pneu, Drum brake Compl. RHS		S
3A,4,5,6B	1	84583	20" Luft, trommelbrems kompl. VE	20" Pneu, Drum brake Compl. LHS		S
3B,4,5,6A	1	84580	20" Kompakt, trommelbrems kompl. HØ	20" Solid, Drum brake Compl. RHS		S
3B,4,5,6B	1	84581	20" Kompakt, trommelbrems kompl. VE	20" Solid, Drum brake Compl. LHS		S
1A	1	84456	24" Hjul m/trommelbrems Luft	24" Wheel w/drum brake Pneu		S
1B	1	84458	24" Hjul m/trommelbrems kompakt	24" Wheel w/drum brake solid		S
2A	1	84436	22" Hjul m/trommelbrems Luft	22" Wheel w/drum brake Pneu		S
	1	84439	22" Hjul m/trommelbrems kompakt	22" Wheel w/drum brake solid		S
3A	1	84416	20" Hjul m/trommelbrems Luft	20" Wheel w/drum brake Pneu		S
3B	1	84419	20" Hjul m/trommelbrems kompakt	20" Wheel w/drum brake solid		S
4	1	A100031	Kabelstrammer for bremsehjul	Cable tensioning gear for brake	+ 015641	
5	1	84572	Skruenippel for bremsehjul	Screw nipple for brake	+ 012077	
6A	1	84570	Ankerplate side A	Brake anchor-plate side A	+ 012053	S
6B	1	84571	Ankerplate side B	Brake anchor-plate side B	+ 012060	S

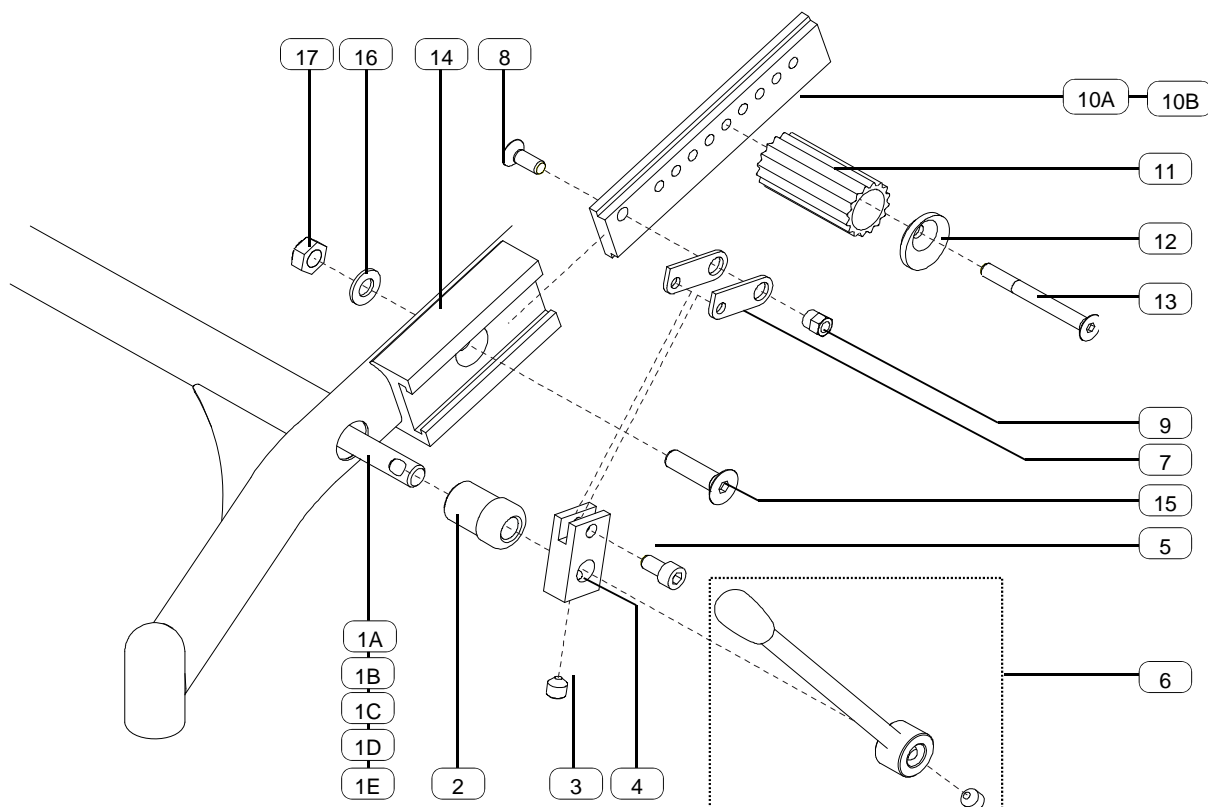
**Note:**

1) X 65 og X 70 kun med 24" X 65 and X 70 only with 24"



Pos	Ant/Qty	Art.No.	Beskrivelse	Description	EAN* 7070582	Note
1-11	1	X995000	Deler til ledsagerbrems Cirrus	Parts for drum brake Cirrus	+ 022847	S
1	2	3008150	Bremsehåndtak Ø21	Brake lever Ø21	+ 039630	S
2	2	A200011	Kabelstrips sort, 215mm	Strip black, 215mm		
3	2	3309991	Wire for ledsagerbrems	Wire for drum brake	+ 039647	S
4	2	A100007	Underlagsskive til seeger	Washer ø18.2xø28.4x1mm galv. steel		
5	2	A100009	Skive til bøssing Elz.	Washer M16 Elz.		DIN125
6	2	X990002	Bolt for feste, trommelbrems	Bolt, drum brake		
7	2	X990004	Lenk, trommelbrems	Link, drum brake		
8	2	A230004	UNB Skrue M6x20 Senk Elz	Screw M6x20 countersunk Elz		DIN7991
9	2	X990005	Maskinskrue M5x16 pan/poz Elz.	Screw M5x16 pan/poz Elz.		
10	2	X990006	Låsemutter M5 Nylock	Lock nut M5 Nylock		
11	2	84533	QR ø12x108 m/logo	QR ø12x108 w/logo	+ 011810	S



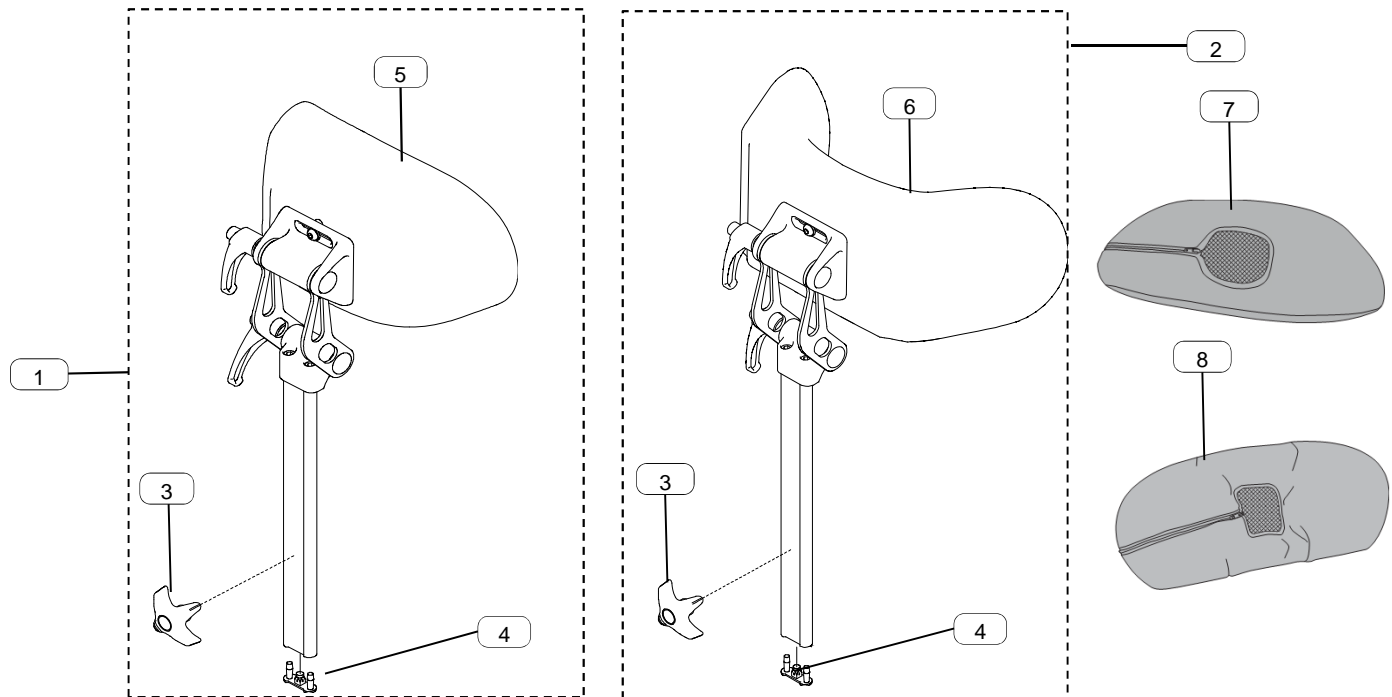


Pos	Ant/Qty	Art.No.	Beskrivelse	Description	EAN* 7070582	Note
1A,2-17	1	B123000	Bremsemek. kompl. Smal/Kid/Short	Brake mech. Compl. Narrow/Kid/Short	+ 016426	S
1B,2-17	1	A123000	Bremsemek. kompl. Bred	Brake mech. Compl. Wide	+ 015719	S
1C,2-17	1	AX123000	Bremsemek. kompl. Ekstra bred	Brake mech. compl. Extra Wide	+ 016358	S
1D,2-17	1	XB123000	Bremsemekanisme kompl. X-65	Brake mech. compl. X-65	+ 043507	S
1E,2-17	1	XB124000	Bremsemekanisme kompl. X-70	Brake mech. compl. X-70	+ 043514	S
1A,2-5	1	B123500	Bremseaksel kompl. Smal/Kid/Short	Brake shaft Compl. Narrow/Kid/Short	+ 016433	S
1B,2-5	1	A123500	Bremseaksel kompl. Bred	Brake shaft Compl. Wide	+ 015740	S
1C,2-5	1	AX123500	Bremseaksel kompl. Ekstra bred	Brake shaft Compl. Extra wide		
1D,2-5	1	XB123500	Bremseaksel komplett, X-65	Brake shaft compl. X-65		
1E,2-5	1	XB124500	Bremseaksel komplett, X-70	Brake shaft compl. X-70		
1A	1	B120001	Bremseaksel smal/Kid/Short	Brake shaft Narrow/Kid/Short		
1B	1	A120001	Bremseaksel bred	Brake shaft Wide		
1C	1	AX120001	Bremseaksel ekstra bred	Brake shaft Extra wide		
1D	1	XB120001	Bremseaksel X-65	Brake shaft X-65		
1E	1	XB125001	Bremseaksel X-70	Brake shaft X-70		
2	2	A120002	Opplagring bremseaksel	Spacer, brake shaft		
3	2	A223004	Settskrue M8x8, hul ende	Set screw M8x8, cup point		DIN916
4	2	A120004	Gaffel, brems	Gap lever		
5	2	A120013	UNB skrue M6x12 syl Elz.	Hex.h cap screw M6x12 Elz.		DIN912
6	2	A121010	Bremsespak komplett	Brake lever complete	+ 015702	S
	1	A123130	Bremsekloss komplett HØ	Brake block complete RHS	+ 015733	S
7-9,10B-13	1	A123230	Bremsekloss komplett VE	Brake block complete LHS	+ 028221	S
7	2	A120007	Lenk, brems	Link, Brake		
8	2	CA340007	Maskinskrue M6x16 senk Elz.	Screw M6x16 poz/Elz.		DIN7991
9	2	A120015	Mutter M6	Nut M6	+ 015672	
10A	1	X123108	Sleide innvendig, HØ	Internal slider RHS		
10B	1	X123208	Sleide innvendig, VE	Internal slider LHS		
11	2	A123010	Bremsekloss	Brake pad	+ 015726	
12	2	A123011	Endeboss	End disk		
13	2	A123012	UNB skrue M6x60 senk Elz.	Screw M6x60 hex/Elz.		DIN7991
			<b>Fortsetter neste side</b>	<b>Continues next page</b>		

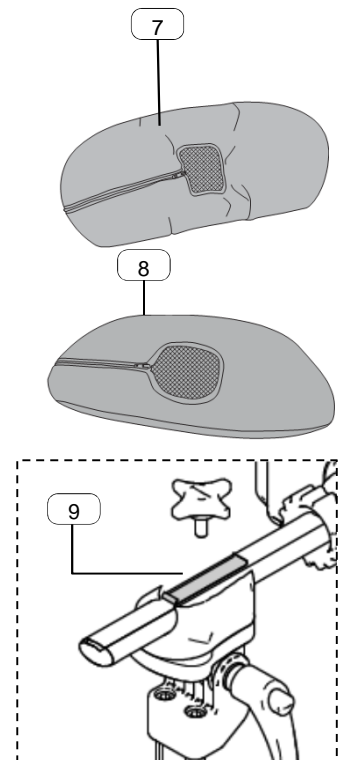
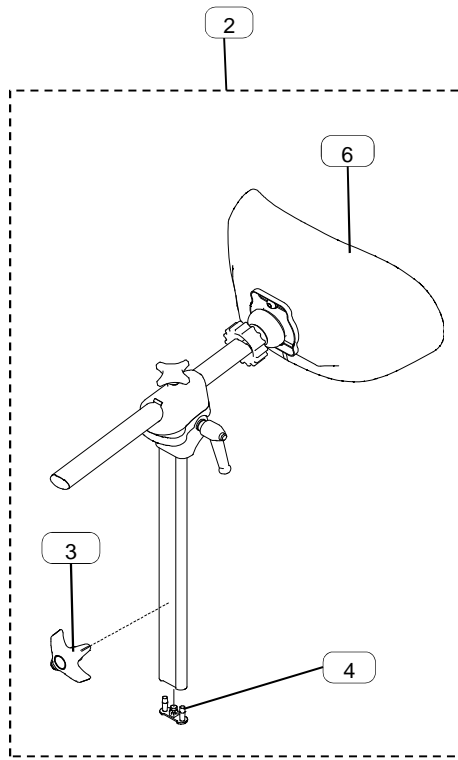
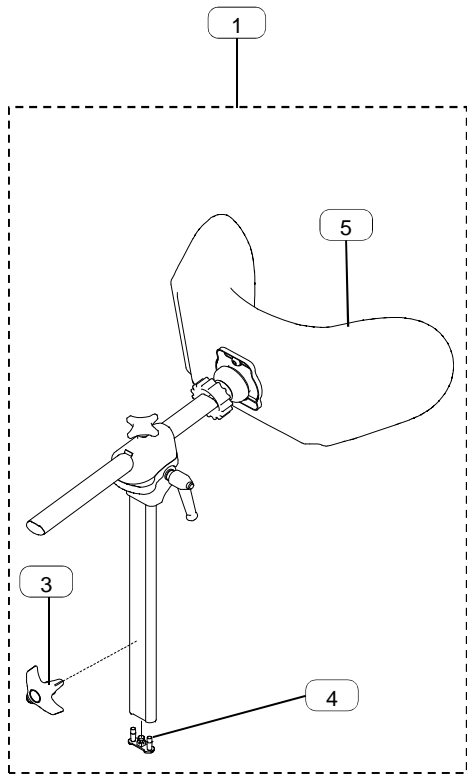
Pos	Ant/Qty	Art.No.	Beskrivelse	Description	EAN* 7070582	Note
14-17	1	A120050	Utvendig sleide komplett	External slider complete	+ 015696	S
14	1	A120009	Sleide, utvendig	External slider		
15	1	A120014	Maskinskrue M8x30 senk poz/Elz.	Screw M8x30 poz/Elz.		DIN965
16	1	A120020	Underlagsskive ø8xø18 Elz.	Washer ø8xø18 Elz.		DIN125
17	1	A200012	Sikringsmutter M8 nylock	Keeper nut M8 nylock		DIN985

**NAKKESTØTTER KOMPLETT MED PUTER /  
HEADRESTS COMPLETE WITH CUSHIONS**

<b>07-modeller / 07-models</b>	<b>Art. no.</b>	<b>Kap/Chap</b>
<b>Pad Basic / Basic feste Pad Basic / Basic bracket</b>	3009200	9.1.1
<b>Pad Avansert / Basic feste (bil) Pad Advanced / Basic bracket (vehicle)</b>	3009205	9.1.1
<b>Pad Avansert / Avansert feste Pad Advanced / Advanced bracket</b>	3009210	9.1.2
<b>Pad Basic / Avansert feste Pad Basic / Advanced bracket</b>	3009215	9.1.2

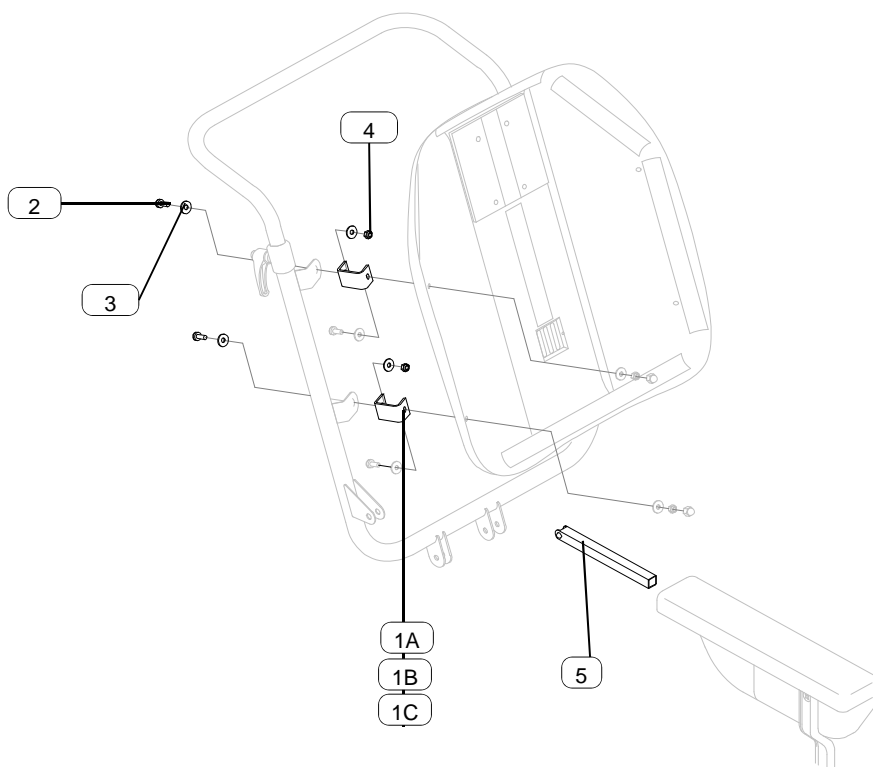


Pos	Ant/Qty	Art.No.	Beskrivelse	Description	EAN* 7070582	Note
1	1	3009200	Nakkestøtte Basic	Headrest Basic	+ 038008	S
2	1	3009205	Nakkestøtte Basic/Avansert pad	Headrest Basic/Advanced pad	+ 040056	S
3	1	A241004	Låseratt RS ø60 M8x12	Locking wheel RS ø60 M8x12		S
4	1	A240020	Plastpropp	Plastic plug	+ 015870	S
5	1	3009260	Nakkestøttepad Basic	Headrest pad Basic	+ 040117	
6	1	3009261	Nakkestøttepad Avansert	Headrest pad Advanced	+ 040124	
7	1	3009220	Trekk til nakkestøttepad Basic	Cover for headrest pad Basic	+ 040087	S
8	1	3009221	Trekk til nakkestøttepad Avansert	Cover for headrest pad Advanced	+ 040094	S

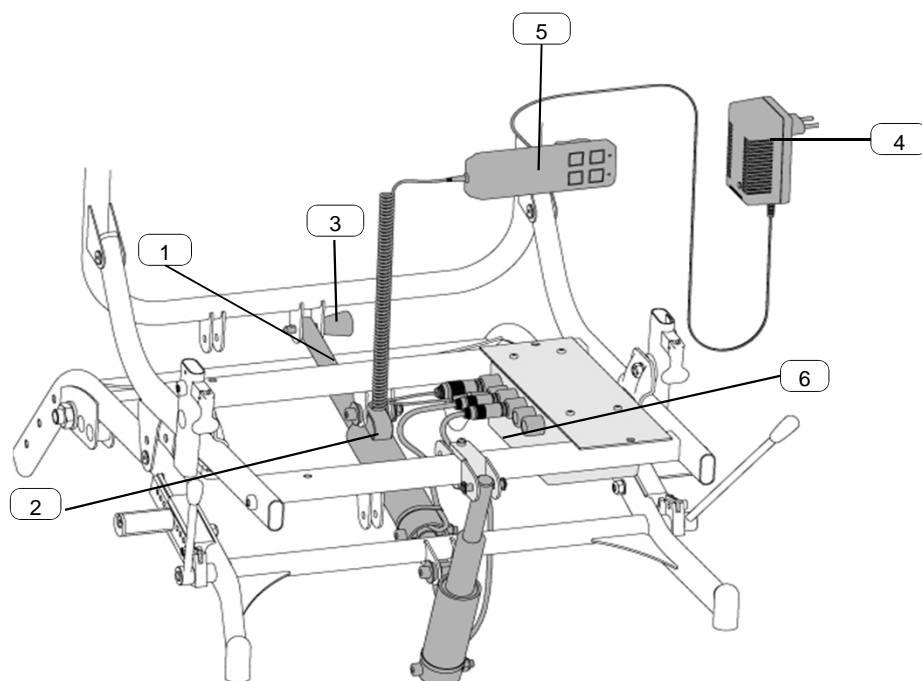


Pos	Ant/Qty	Art.No.	Beskrivelse	Description	EAN* 7070582	Note
1	1	3009210	Nakkestøtte Avansert	Headrest Advanced	+ 040063	S
2	1	3009215	Nakkestøtte Avansert/Basic pad	Headrest Advanced/Basic pad	+ 040070	S
3	1	A241004	Låseratt RS ø60 M8x12	Locking wheel RS ø60 M8x12	+ 015900	S
4	1	A240020	Plastpropp	Plastic plug	+ 015870	S
5		3009261	Nakkestøttepad Avansert	Headrest pad Advanced	+ 040124	
6	1	3009260	Nakkestøttepad Basic	Headrest pad Basic	+ 040117	
7	1	3009221	Trekk til nakkestøttepad Avansert	Cover for headrest pad Advanced	+ 040094	S
8	1	3009220	Trekk til nakkestøttepad Basic	Cover for headrest pad Basic	+ 040087	S
9	1	3 009 250	Klemfjær	Spring plate		S

09.04.2003



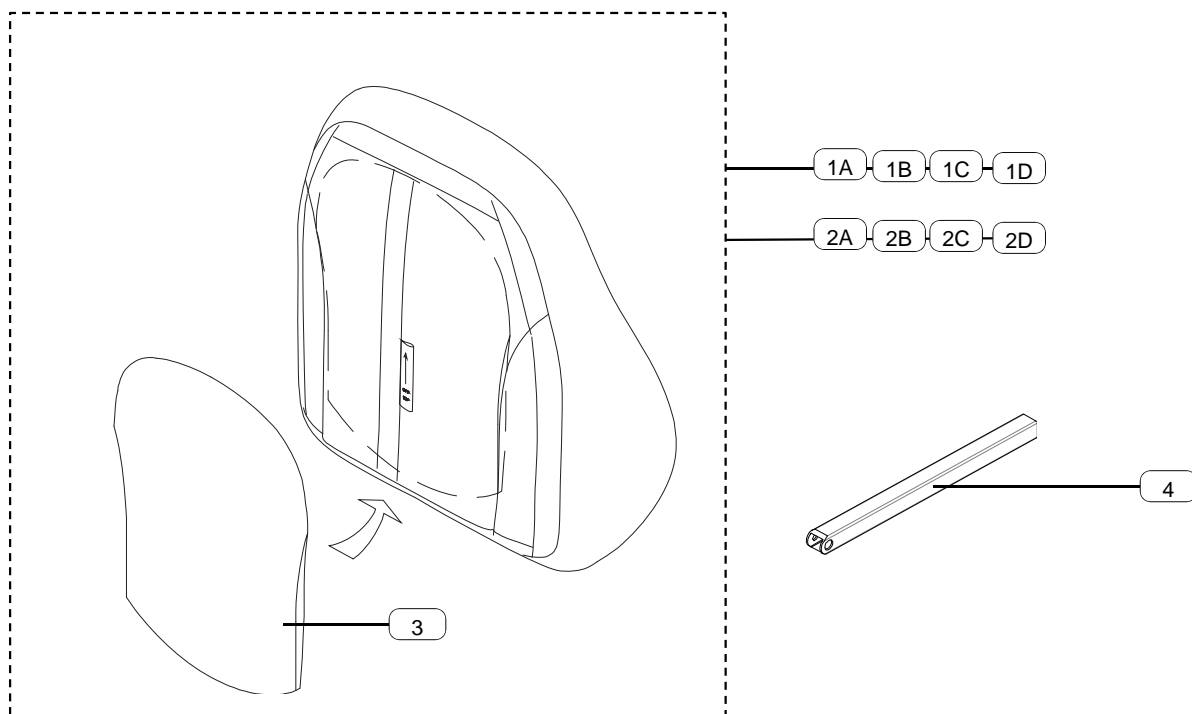
Pos	Ant/Qty	Art.No.	Beskrivelse	Description	EAN* 7070582	Note
1A,2-5	1	CX215005	Adapter framflytt rygg 5 cm	Kit spacer backrest (forw. 5 cm)	+ 017232	S
1B,2-5	1	CX216005	Adapter framflytt rygg 7,5 cm	Kit spacer backrest (forw. 7,5 cm)	+ 017249	S
1C,2-5	1	CX217005	Adapter framflytt rygg 10 cm	Kit spacer backrest (forw. 10 cm)	+ 017256	S
1A	4	X215005	Bøyleadapter rygg 5 cm svart	Spacer backrest 5 cm black		
1B	4	X216005	Bøyleadapter rygg 7,5 cm svart	Spacer backrest 7,5 cm black		
1C	4	X217005	Bøyleadapter rygg 10 cm svart	Spacer backrest 10 cm black		
2	4	A340004	Maskinskrue M6x16 pan/poz Elz.	Cheeseh. screw M6x16 Elz.		DIN7985
3	8	A340005	U.skive ø6,4x18x1,6 Elz.	Washer ø6,4x18x1,6 Elz.		DIN9021
4	4	A200006	Låsemutter M6 Nylock Elz.	Lock nut M6 Nylock Elz.		DIN985
5	2	X242230	Koblingsrør armlene m/snaplås lang	Connecting tube w/snap-lock, long		S



Pos	Ant/Qty	Art.No.	Beskrivelse	Description	EAN* 7070582	Note
1-6	1 <sup>1)</sup>	3019506	Ei-tilt Cirrus 4 sete+rygg,kpl	Tilt powered Cirrus 4 seat + back	+ 045891	S
1-5	1 <sup>1)</sup>	3019502	Ei-tilt Cirrus 4 rygg, kpl	Tilt powered back complete	+ 045877	S
3-6	1 <sup>1)</sup>	3019503	Ei-tilt Cirrus 4 sete, kpl	Tilt powered seat complete	+ 045884	S
1	1	3019513	Aktuator LL1000 1000N sl100	Actuator LL1000 1000N sl100		S
2	1	A320000	Festetapp, reg.mek.	Connection pin, adjustm. mech.		S
3	1	3019517	Lader Mascot-9640	Charger Mascot-9640		S
4	1	3019516	Håndkontroll m/HC logo 4 knapp	Hand control with 4 buttons	+ 045914	S
5	1	3019515	Kontrollboks m/batterier	Control unit with batteries		S
6	1	3019512	Aktuator LL1000 1000N sl80	Actuator LL1000 1000N sl80		S

**Note:**

- 1) I tillegg innholder pakken skruer og annet festemateriell, ikke vist i tegning
- In addition the packages included screws and other fasteners  
Not shown in picture



Pos	Ant/Qty	Art.No.	Beskrivelse	Description	EAN* 7070582	Note
1A	1	CA340577	Rygg kyfose m/sidest. Trevira, bred	Backrest w/lat.supp. Trevira, Wide	+ 033775	S
1B	1	CA340555	Rygg kyfose m/sidest. Skai, bred	Backrest w/lat.supp. Vinyl, Wide	+ 033768	S
1C	1	CB340577	Rygg kyfose m/sidest. Trevira, smal	Backrest w/lat.supp. Trevira., Narrow	+ 033850	S
1D	1	CB340555	Rygg kyfose m/sidest. Skai, smal	Backrest w/lat.supp. Vinyl, Narrow	+ 033843	S
2A	1	CA341577	Ryggpute kyfose små sidest Trev bred	Cushion kyph. small lat.supp Trev wide		S
2B	1	CA341555	Ryggpute kyfose små sidest Skai bred	Cushion kyph. small lat.supp Vinyl wide		S
2C	1	CB340577	Rygg kyfose m/sidest. Trevira, smal	Backrest w/lat.supp. Trevira., Narrow		S
2D	1	CB340555	Rygg kyfose m/sidest. Skai, smal	Backrest w/lat.supp. Vinyl, Narrow		S
3	1	CA341671	Innlegg for kyfoserygg, bred	Insert for cushion kyphosis, wide		S
4	2 <sup>1)</sup>	X242230	Koblingsrør armlene m/snaplås lang	Connecting tube w/snap-lock, long	+ 021987	S

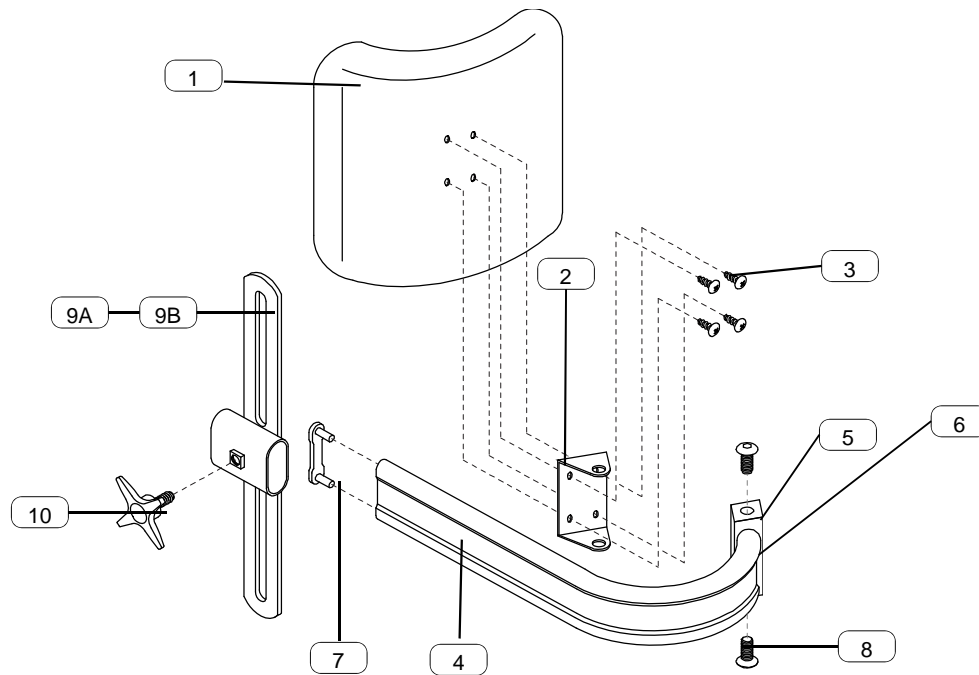
**Note:**

1)

Koblingsrør påkrevd ved justering av setedybder

Connecting tube needed for seatdepth adjustment

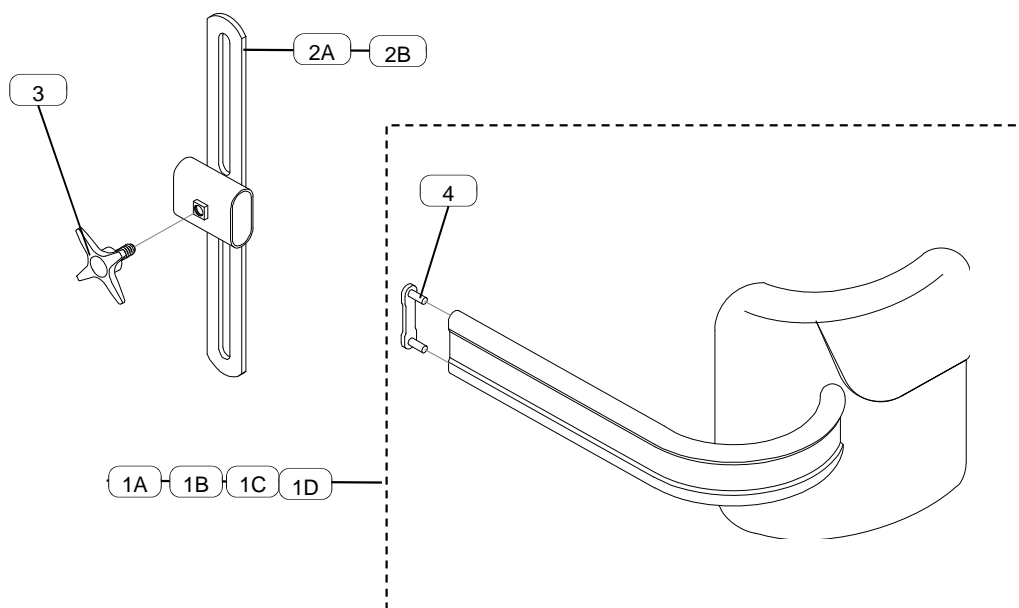




Pos	Ant/Qty	Art.No.	Beskrivelse	Description	EAN* 7070582	Note
1-8,9A-10	1	CX310100	Sidestøtte liten, støpt, HØ	Side support small, moulded, RHS	+ 043187	S
1-8,9B-10	1	CX310200	Sidestøtte liten, støpt, VE	Side support small, moulded, LHS	+ 043200	S
1-8	1	CX310050	Pute m/alu profil sidestøtte støpt	Cushion w/alu profile side support	+ 043163	S
9A,10	1	X331100	Festebrett komplett HØ	Mounting bracket compl. RHS	+ 021994	S
9B,10	1	X331200	Festebrett komplett VE	Mounting bracket compl. LHS	+ 022007	S
1	1	111083	Pute sidestøtte, støpt	Pad side support, moulded		
2	1	X120014	Festebrett	Mounting bracket		
3	4	A240010	Plateskrue 5,5x13 poz Elz.	Plate screw 5,5x13 poz Elz.	+ 015856	DIN7981
4	1	X300008	Alu-profil sidestøtte	Alu-profile side support		
5	1	X120011	Festeboss lakkert svart	Anchor boss black		
6	2	97147	UNB Skrue M6x40 Senk Elz.	Screw M6x40 countersunk Elz.		DIN7991
7	1 <sup>1)</sup>	A240020	Plastpropp	Plastic plug	+ 015870	S
8	2	X120005	UNB Skrue M8x12 Linse Elz.	Socket screw M8x12 Lens Elz.		ISO7380
9A	1	UX330100	Brakett HØ	Bracket RHS		
9B	1	UX330200	Brakett VE	Bracket LHS		
10	1	A241003	Låseratt	Lock wheel	+ 015894	
	1 <sup>2)</sup>	CX310010	Trekk til liten sidestøtte	Upholstery for small side support	+ 043156	S

**Note:**

- 1) Selges kun i ant. á 10 stk Only for sale in qty of 10 pcs  
 2) Ikke vist i tegning Not shown in picture



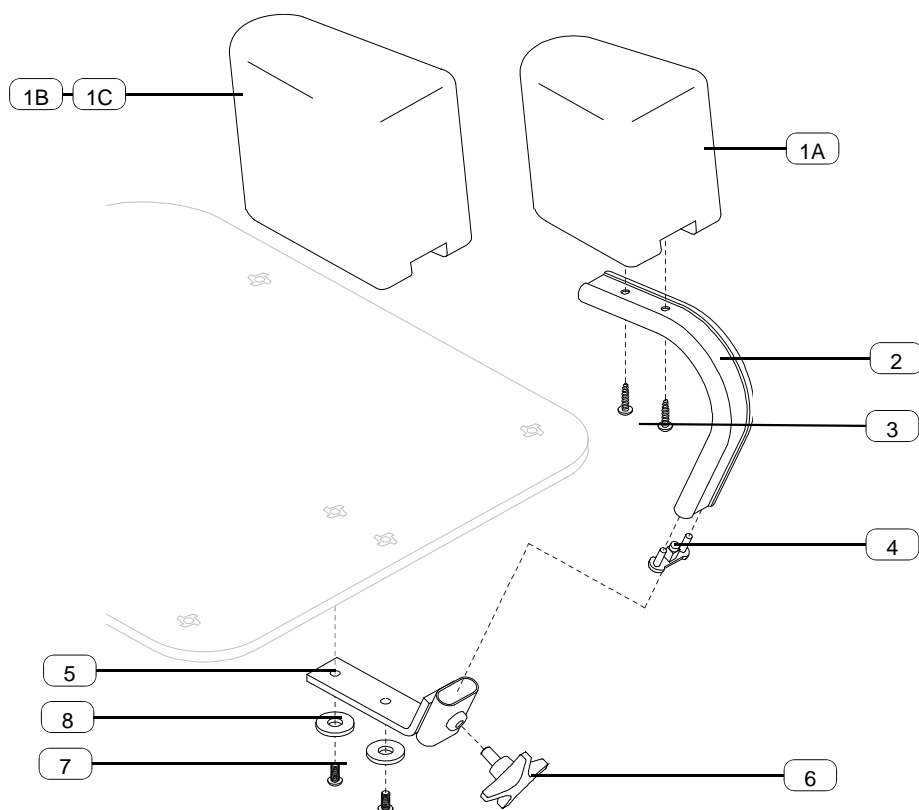
Pos	Ant/Qty	Art.No.	Beskrivelse	Description	EAN* 7070582	Note
1A,2A,3-4	1	CX360152	Sidestøtte stor, skai HØ	Side support large, vinyl RHS	+ 028924	S
1B,2B,3-4	1	CX360252	Sidestøtte stor, skai VE	Side support large, vinyl LHS	+ 017416	S
1C,2A,3-4	1	CX360175	Sidestøtte stor, polyamid, HØ	Side support large, polyamid, RHS	+ 017409	S
1D,2B,3-4	1	CX360275	Sidestøtte stor, polyamid, VE	Side support large, polyamid, LHS	+ 017423	S
1A	1	CX360552	Pute med alu-profil, stor, skai HØ	Cushion w/alu-profile, large, vinyl RHS	+ 017430	S
1B	1	CX360652	Pute med alu-profil, stor, skai VE	Cushion w/alu-profile, large, vinyl LHS	+ 017454	S
1C	1	CX360575	Pute med alu-profil, stor, polyamid HØ	Cushion w/alu-pr., large, polyamid RHS	+ 017447	S
1D	1	CX360675	Pute med alu-profil, stor, polyamid VE	Cushion w/alu-pr., large, polyamid LHS	+ 017461	S
2A,3	1	X331100	Festebrakett komplett HØ	Mounting bracket compl. RHS	+ 021994	S
2B,3	1	X331200	Festebrakett komplett VE	Mounting bracket compl. LHS	+ 022007	S
2A	1	UX330100	Brakett HØ	Bracket RHS		
2B	1	UX330200	Brakett VE	Bracket LHS		
3	1	A241003	Låseratt	Lock wheel		
4	1 <sup>1)</sup>	A240020	Plastpropp	Plastic plug		S

**Note:**

1)

Selges kun i ant. á 10 stk

Only for sale in qty of 10 pcs



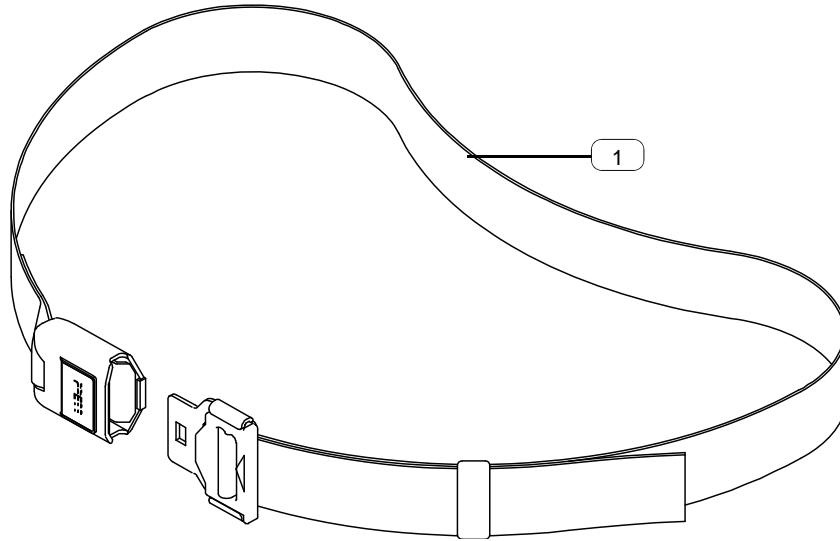
Pos	Ant/Qty	Art.No.	Beskrivelse	Description	EAN* 7070582	Note
1A-8	1	CX410100	Abduksjonskloss liten, støpt	Abduction pommel small moulded	+ 043217	S
1B-8	1	CX440052	Abduksjonskloss, stor, skai	Abduction pommel, large, vinyl	+ 017676	S
1C-8	1	CX440075	Abduksjonskloss, stor, Trevira	Abduction pommel, large, Trevira	+ 017683	S
1A	1	111 255	Pute abduksjonskloss, liten	Cushion abduction pommel, small		
1B	1	X441052	Pute, abd.kloss, stor, skai	Cushion, abd.pommel, large, vinyl		
1C	1	X441075	Pute, abd.kloss, stor, polyamid	Cushion, abd.pommel, large, polyamid		
2	1	X400003	Alu-profil lang, abd.kloss	Alu-profile long, abd.pommel		
3	2	X300009	Pl.skrue 5,5x32 poz Elz.	Panh. tapping screw 5,5x32 poz/elz		DIN7981
4	1 <sup>1)</sup>	A240020	Plastpropp	Plastic plug	+ 015870	S
5	1	X420005	Festbrakett abd.kloss svart	Bracket, abduction pommel, black		
6	1	CX420005	Låseratt RS ø40 M8x10	Locking RS handle ø40 M8x10		
7	2	A340004	Maskinskrue M6x16 pan/pos Elz.	Cheesh. screw m6x16 panh/pos elz		DIN7985
8	2	A340005	Runde skiver M6 Elz.	Washer M6 Elz.		DIN9021

#### Note

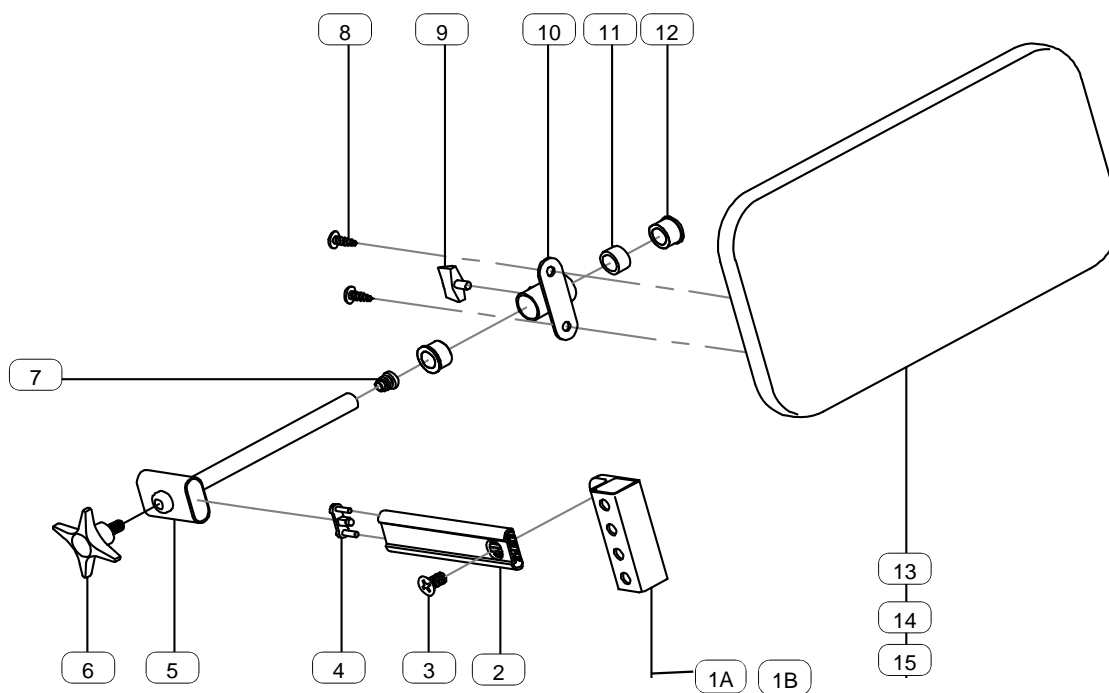
1)

Salgsantall 10 stk

Only for slae in qty of 10 pcs



Pos	Ant/Qty	Art.No.	Beskrivelse	Description	EAN* 7070582	Note
1	1	52847	Hoftebelte, liten type	Positioning-belt, small type	+ 006564	S



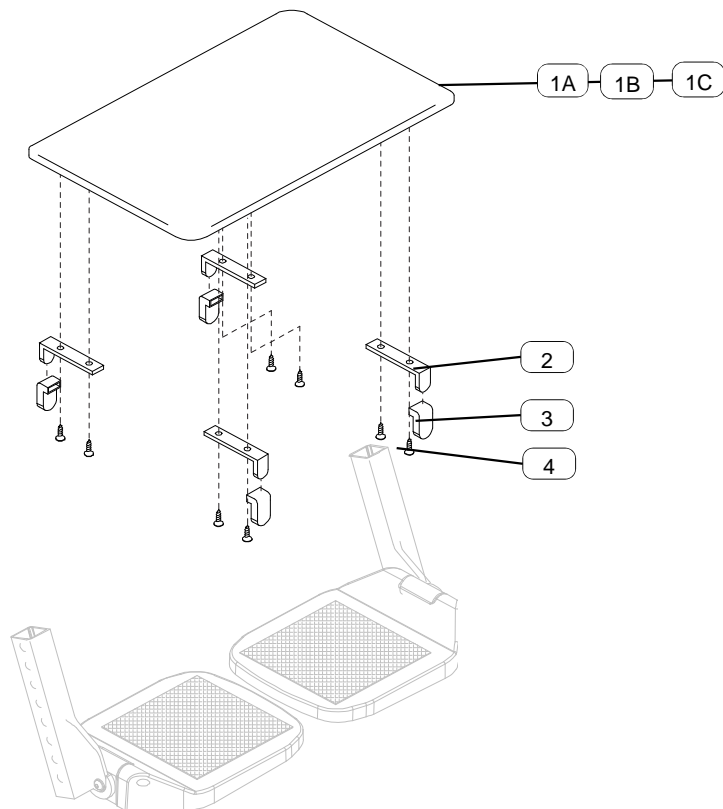
Pos	Ant/Qty	Art.No.	Beskrivelse	Description	EAN* 7070582	Note
1-13	1	111376	Hel leggplate, liten	Whole calfrest plate, small	+ 001781	S
1-12,14	1	111375	Hel leggplate, stor	Whole calfrest plate, large	+ 001774	S
1-12,15	1	AX470052	Hel leggstøtte, x-bred	Whole calf rest, X-Wide	+ 028443	S
1A	1	110535	Utvendig sleide lakkert svart HØ	Outer slider black RHS		
1B	1	110536	Utvendig sleide lakkert svart VE	Outer slider black LHS		
2	2	X530202	Alu-profil	Alu-Profile		
3	2	X530203	Mask.skruer M8x16 Elz.	Screw M8x16 Elz.		
4	2	A240020	Plastpropp	Plastic plug	+ 015870	S
5	2	110538	Sleiderør lang, svart	Sliding pipe long, black		
6	2 <sup>1)</sup>	A241004	Låseratt RS ø60 M8x12	Locking wheel RS ø60 M8x12	+ 015900	S
7	2	X530104	Plastpropp, sleiderør	Plastic plug, sliding pipe	+ 022120	
8	4	A240010	Plateskrue 5,5x13 poz Elz.	Plate screw 5,5x13 poz Elz.	+ 015856	DIN7981
9	2 <sup>1)</sup>	A520004	Vingeskrue	Wing screw	+ 016211	S
10	2	110540	Festbrakett leggpute, svart	Bracket calf pad, black		
11	2	X530110	Klemring, justerrør	Clamping pipe, adjustment pipe	+ 022137	
12	4	X530111	Endehylse, justerrør	End sleeve, adjusting pipe	+ 022144	
13	1	X481052	Pute leggstøtte skai smal	Pad leg support vinyl narrow		
14	1	X471052	Pute leggstøtte skai bred	Pad leg support vinyl wide		
15	1	AX471052	Pute leggstøtte skai x-bred	Pad leg support vinyl X-Wide		S

**Note:**

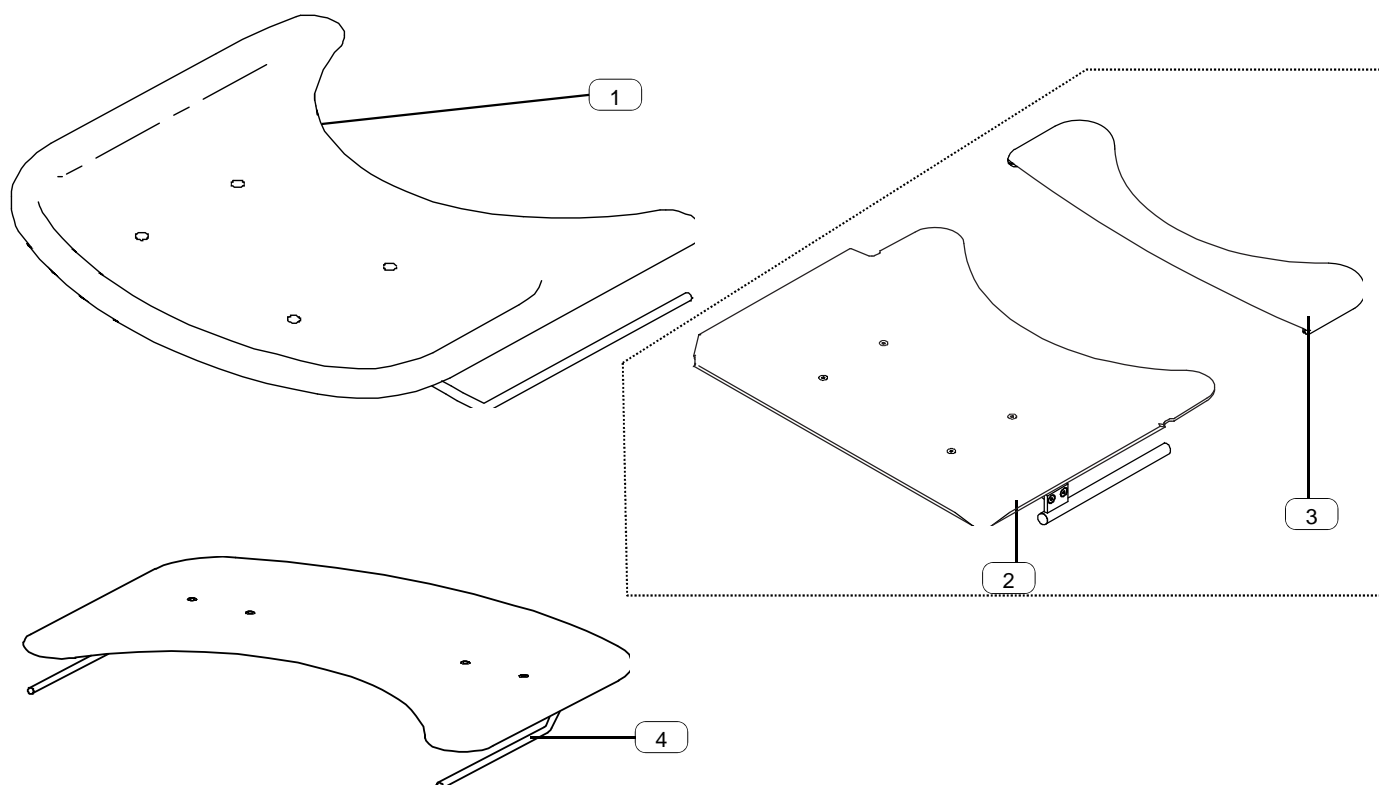
1)

Pakke med 10 stk.

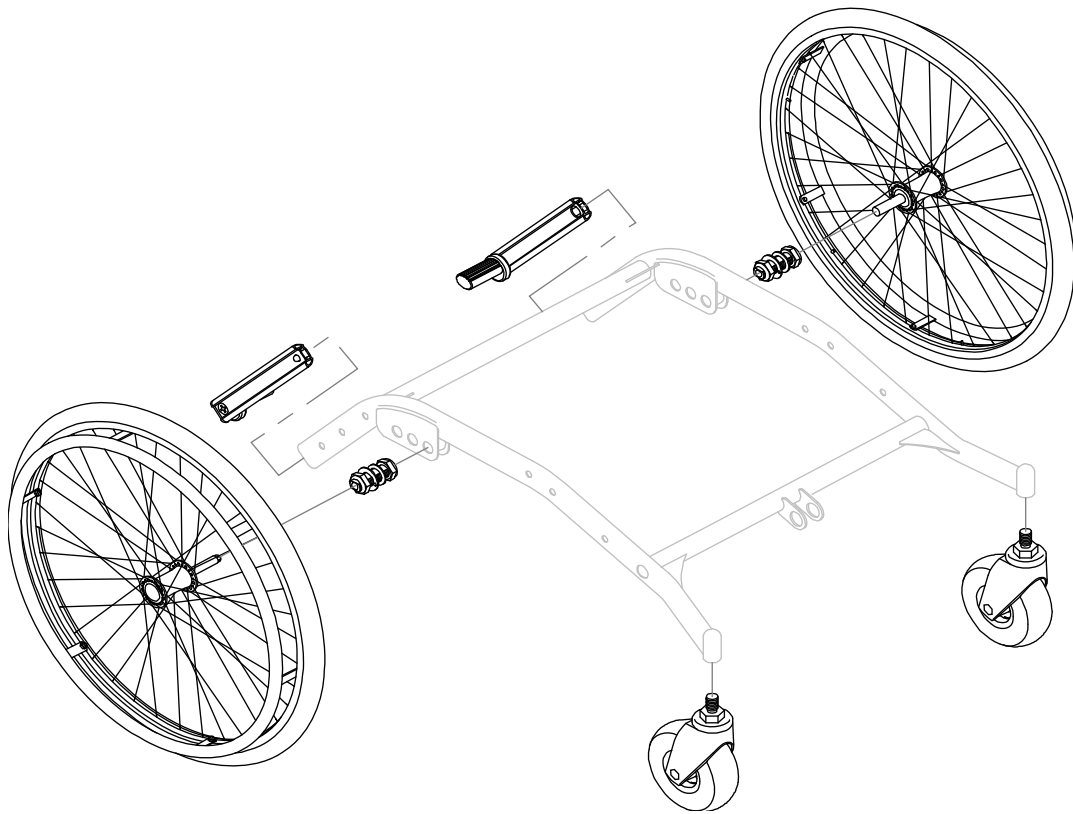
Package 10 pcs.



Pos	Ant/Qty	Art.No.	Beskrivelse	Description	EAN* 7070582	Note
1A,2-4	1	X550152	Hel fotplate skai komplett, bred	Whole foot plate vinyl compl., wide	+ 022175	S
1B,2-4	1	X551152	Hel fotplate skai kompl., smal/KID/Short	Whole footplate vinyl, narrow/KID/Short	+ 029907	S
1C,2-4	1	AX550152	Hel fotplate skai komplett, x-bred	Whole foot plate vinyl compl., X-Wide	+ 025343	S
1A	1	X550352	Pute hel fotplate skai, bred	Cushion whole foot plate vinyl, wide		
1B	1	X551352	Pute hel fotplate skai, smal/KID/Short	Cushion foot plate vinyl, narrow/KID/Short		
1C	1	AX550352	Pute hel fotplate skai, x-bred	Cushion whole foot plate vinyl, X-Wide		
2	4	X550009	Festebøyle hel fotplate	Clamp whole foot plate		
3	4	X550010	Gummihetta for festebøyle hel fotplate	Rubber cap for Clamp whole foot plate		
4	8	X600005	Plateskrue senkh. Poz. 5,5x13 Elz.	Plate screw Poz. 5,5x13 Elz.		DIN7982



Pos	Ant/Qty	Art.No.	Beskrivelse	Description	EAN* 7070582	Note
1	1	3019100	Bord komplett	Table complete	+ 040223	S
2	1	X620000	Bord, plexiglass u/polstring	Tray, plexiglas without upholstery	+ 022274	S
3	1	X600050	Polstring bord, støpt	Upholstery plexi-tray, moulded	+ 023615	S
4	1	3019105	Bord kpl. Cirrus 4 X	Table complete Cirrus 4 X	+ 045051	S



Pos	Ant/Qty	Art.No.	Beskrivelse	Description	EAN* 7070582	Note
	1	X959000	Byggesett til 20" hjul, kompakt	Kit for wheels 20", compact	+ 022335	S
	1	X960000	Byggesett til 20" hjul, luft	Kit for wheels 20", pneumatic	+ 022342	S
	1	X985450	Byggesett til 22" hjul, kompakt	Kit for wheels 22", compact	+ 022823	S
	1	X985400	Byggesett til 22" hjul, luft	Kit for wheels 22", pneumatic	+ 022816	S

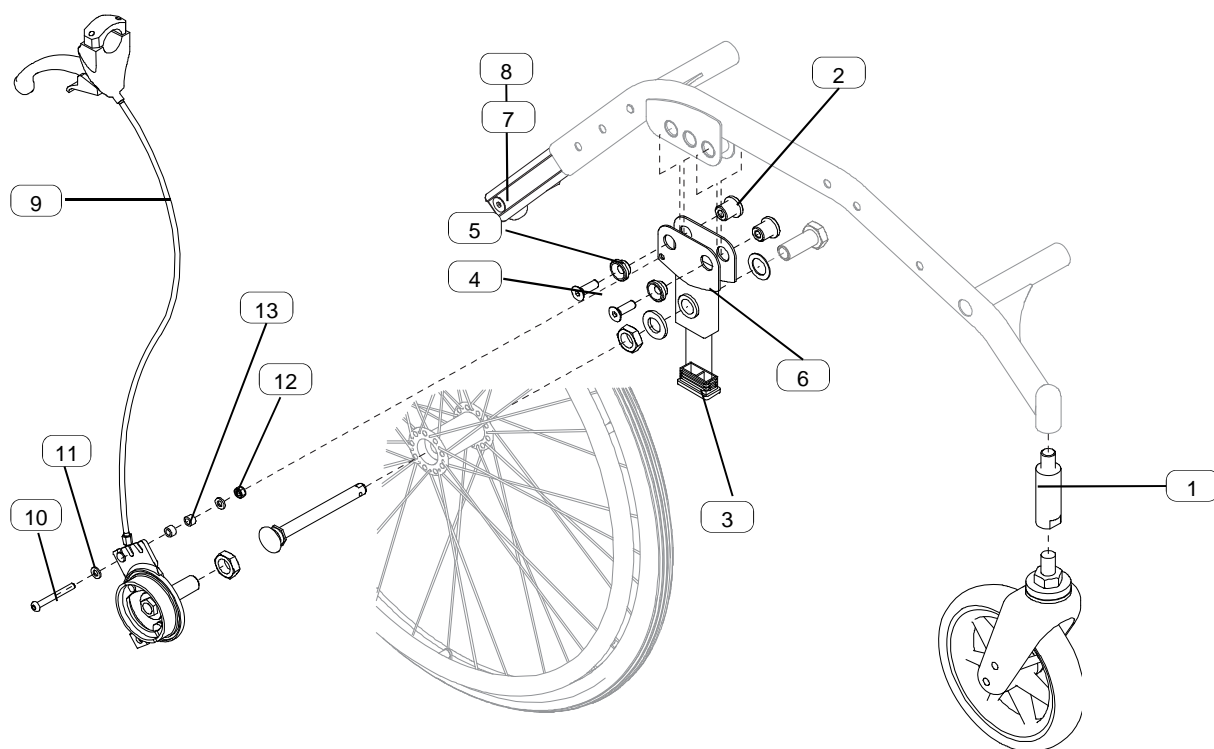
Byggesettet består av:

2 stk drivhjul  
 2 stk svinghjul  
 2 stk gafler  
 2 stk hurtigkoblingsbolt kpl. m/hylse  
 1 sett Antitipp (E130010)

Kit consist of:

Driving wheels, 2pcs  
 Front wheel, 2pcs  
 Front wheel forks, 2pcs  
 Adapter for QR compl., 2pcs  
 Anti-tip compl. Set RHS+LHS, 1pc

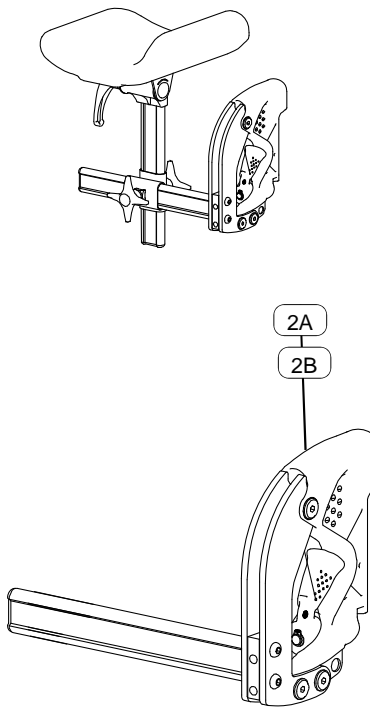
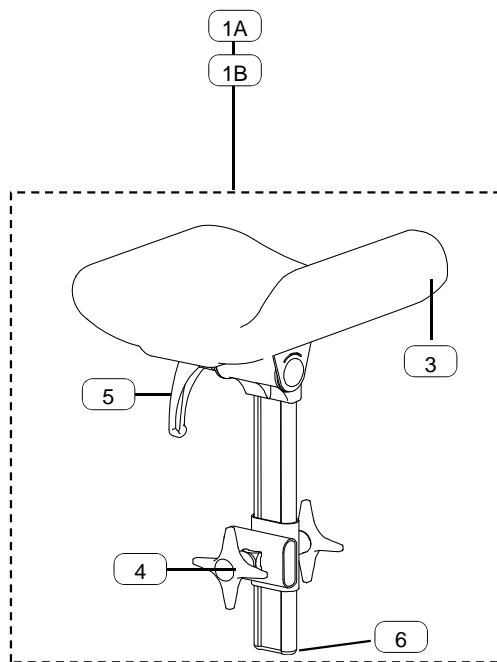




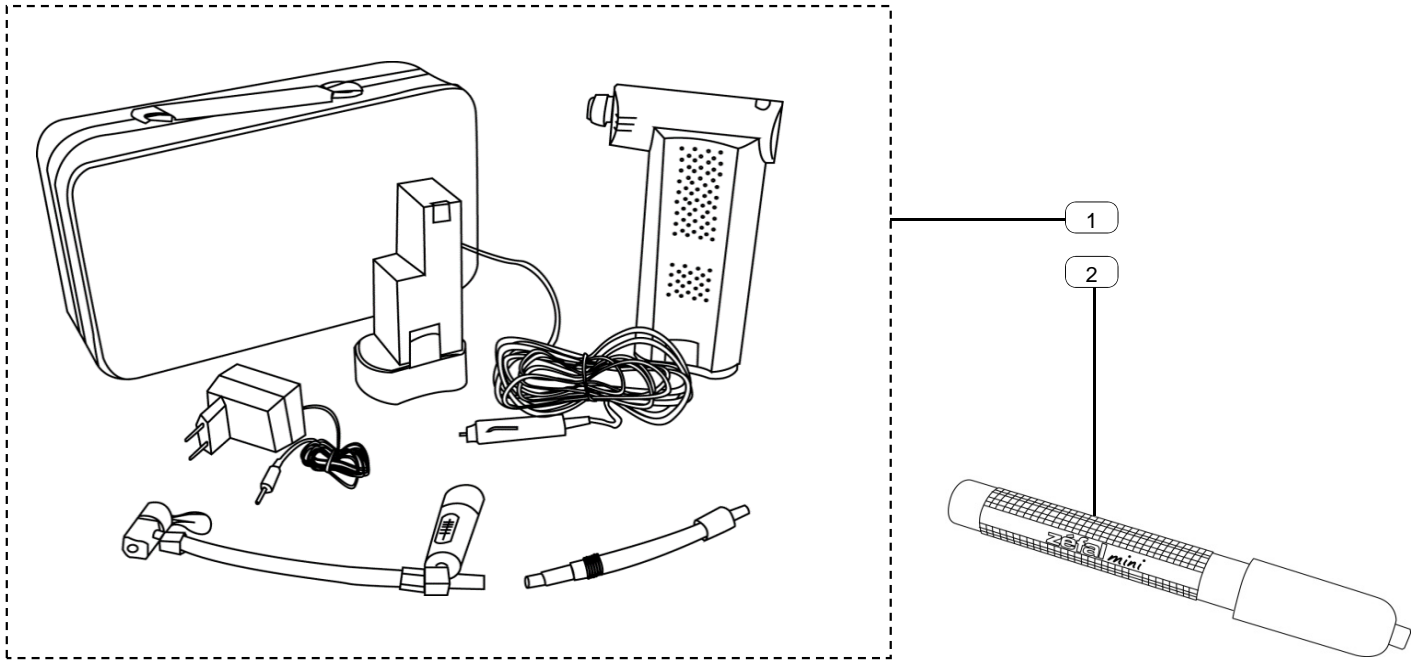
Pos	Ant/Qty	Art.No.	Beskrivelse	Description	EAN* 7070582	Note
1-8	1 <sup>1)</sup>	X971015	Forhøyningsett svart, komplett	Kit for seat height ext. compl.	+ 022441	S
1-8,9-13	1	X995500	Forhøyningsett for ledsagerbrems	Kit for seat height ext. drum brake	+ 043453	S
1	2	X971006	Forlenger til forhjul	Extension, castors		
2	4	X970021	Gjenget klembrikke	Collar bush (internal threads)		
3	2	X970011	Plastpropp 40x20	Plastic plug 40x20		
4	4	A224004	UNB senk M8x25	Countersunk hex. Screw M8x25		
5	4	X970022	Klembrikke kort	Bushing short, countersunk		
6	2	X971315	Hjulbr. forhøyn.sett svart HØ=VE	Bracket, seat height ext. RHS=LHS		
7	1	X130030	Anti-tip kompl. HØ til forhøyningsett	Anti-tip compl. RHS for seat height ext.	+ 029877	
8	1	X130040	Anti-tip kompl. VE til forhøyningsett	Anti-tip compl. LHS for seat height ext.	+ 029884	
9	1 <sup>2)</sup>	X995000	Deler til ledsagerbrems Cirrus	Parts for drum brake Cirrus	+ 022847	S
10	2	86968	UNB Skrue M6x50 Linse Elz.	Socket screw M6x50 Lens Elz.		ISO7380
11	2	A230006	Underlagsskive Ø6 Elz.	Washer Ø6 Elz.	+ 015832	DIN125
12	2	A200006	Låsemutter M6 Nylock Elz.	Lock nut M6 Nylock Elz.		DIN985
13	4	3415119	Hylse Ø10XØ6	Sleeve Ø10XØ6		

**Note:**

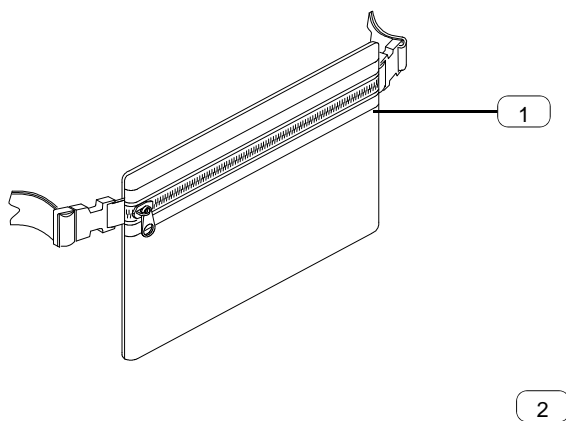
- 1) Kan ikke brukes sammen med Alberramme  
Not applicable with Alber chassis
- 2) For struktur - se kap. 7.5.2  
For structure see chap. 7.5.2



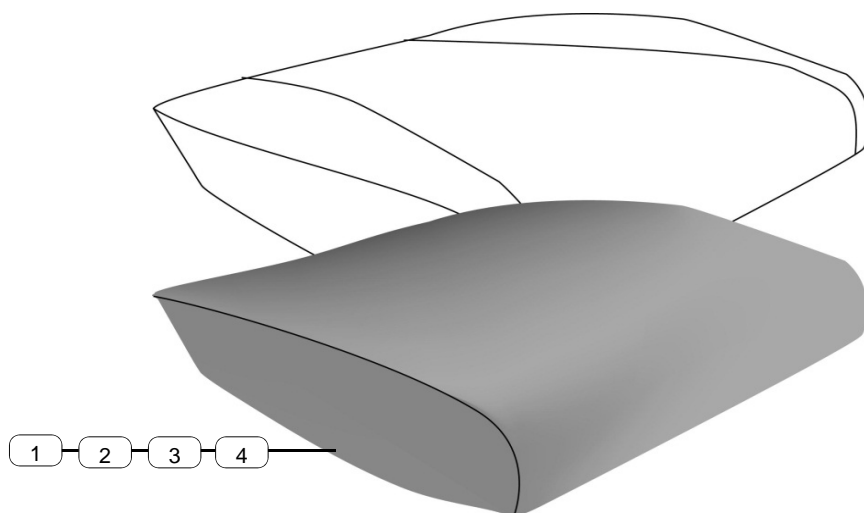
Pos	Ant/Qty	Art.No.	Beskrivelse	Description	EAN* 7070582	Note
1A,2A	1	3003640	Amputasjonsstøtte avansert HØ	Amputation Support advanced RHS	+ 044313	S
1B,2B	1	3003641	Amputasjonsstøtte avansert VE	Amputation Support advanced LHS	+ 044320	S
1A	1	3003644	Pad komplett for amputasjonsstøtte HØ	Pad complete for amputee support RHS		
1B	1	3003645	Pad komplett for amputasjonsstøtte VE	Pad complete for amputee support LHS		
2A	1	3003646	Henger for amputasjonstøtte Hø	Hanger amputation supprt RHS		
2B	1	3003647	Henger for amputasjonstøtte Ve	Hanger amputation supprt LHS		
3	1	110534	Leggpute stor, svart	Calf pad, wide, black		S
4	2	A241004	Låseratt RS ø60 M8x12	Locking wheel RS ø60 M8x12		S
5	1	96022	Låsehendel	Lock handle		S
6	1	A240020	Plastpropp	Plastic plug		S



Pos	Ant/Qty	Art.No.	Beskrivelse	Description	EAN* 7070582	Note
1	1	3007900	Elektrisk pumpe	Electric inflator		S
2	1	3007905	Manuell pumpe	Hand pump		S



Pos	Ant/Qty	Art.No.	Beskrivelse	Description	EAN* 7070582	Note
1	1	58308	Seteveske sort Dracon	Front pouch bag Dracon	+ 006939	S



Pos	Ant/Qty	Art.No.	Beskrivelse	Description	EAN* 7070582	Note
1	1	CX650050	Inkontinestrek Smal, svart	Incontinence cover Narrow, black	+ 017935	S
2	1	CX850050	Inkontinestrek Bred, svart	Incontinence cover Wide, black	+ 017966	S
3	1	X820050	Inkontinestrek KID/Short	Incontinence cover KID/Short	+ 022298	S
4	1	X852050	Inkontinestrek X-Bred, svart	Incontinence cover X-Wide, black	+ 022304	S







Sunrise Medical HCM B.V.  
Vossenbeemd 104  
5705 CL Helmond  
The Netherlands

T: +31 (0)492 593 888  
F: +31 (0)492 537 931  
customerservice@sunrisemedical.nl  
[www.SunriseMedical.eu](http://www.SunriseMedical.eu)