

# Strong Base

## Exploded views / Parts list

Rev. date (2023.06)

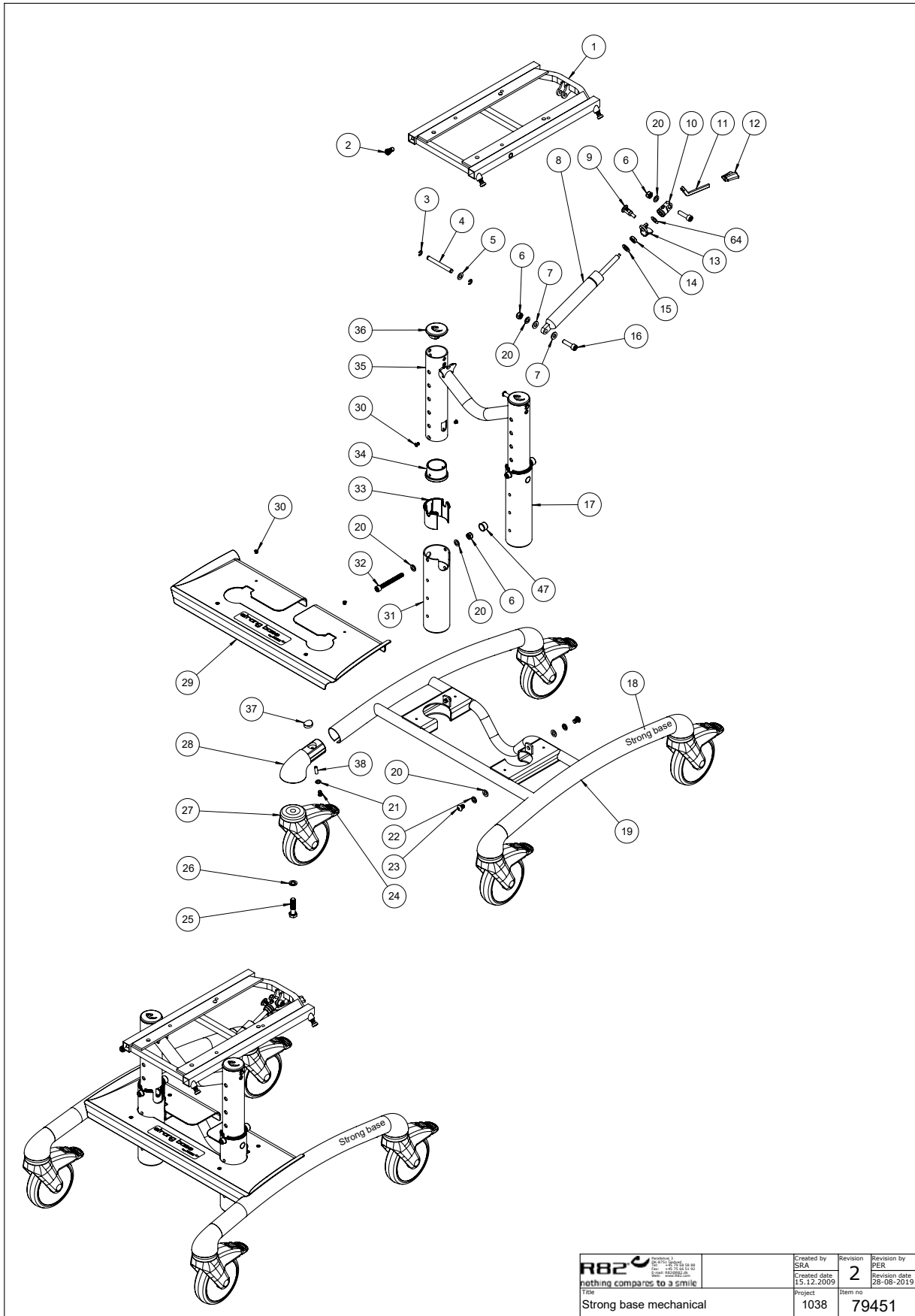
On the following pages you will find the parts used to assemble this product. Please note that some spare parts cannot be purchased individually but are part of a complete kit. Please also note that for some spare parts extra delivery time may occur.



## Contents

Contents .....	2
Strong base mechanical 89508-1M.....	3
Item numbers for Strong base mechanical 89508-1M .....	4
Strong base spindel 89508-1S.....	5
Item numbers for Strong base spindel 89508-1S.....	6
T-Frame Strong Base, kit 8911610-99L.....	8
Item numbers for T-Frame Strong Base, kit 8911610-99L.....	8
Adaptor for x:panda shape size 3, kit 905090 .....	9
Item numbers for Adaptor for x:panda shape size 3, kit 905090 .....	9

# Strong base mechanical 89508-1M



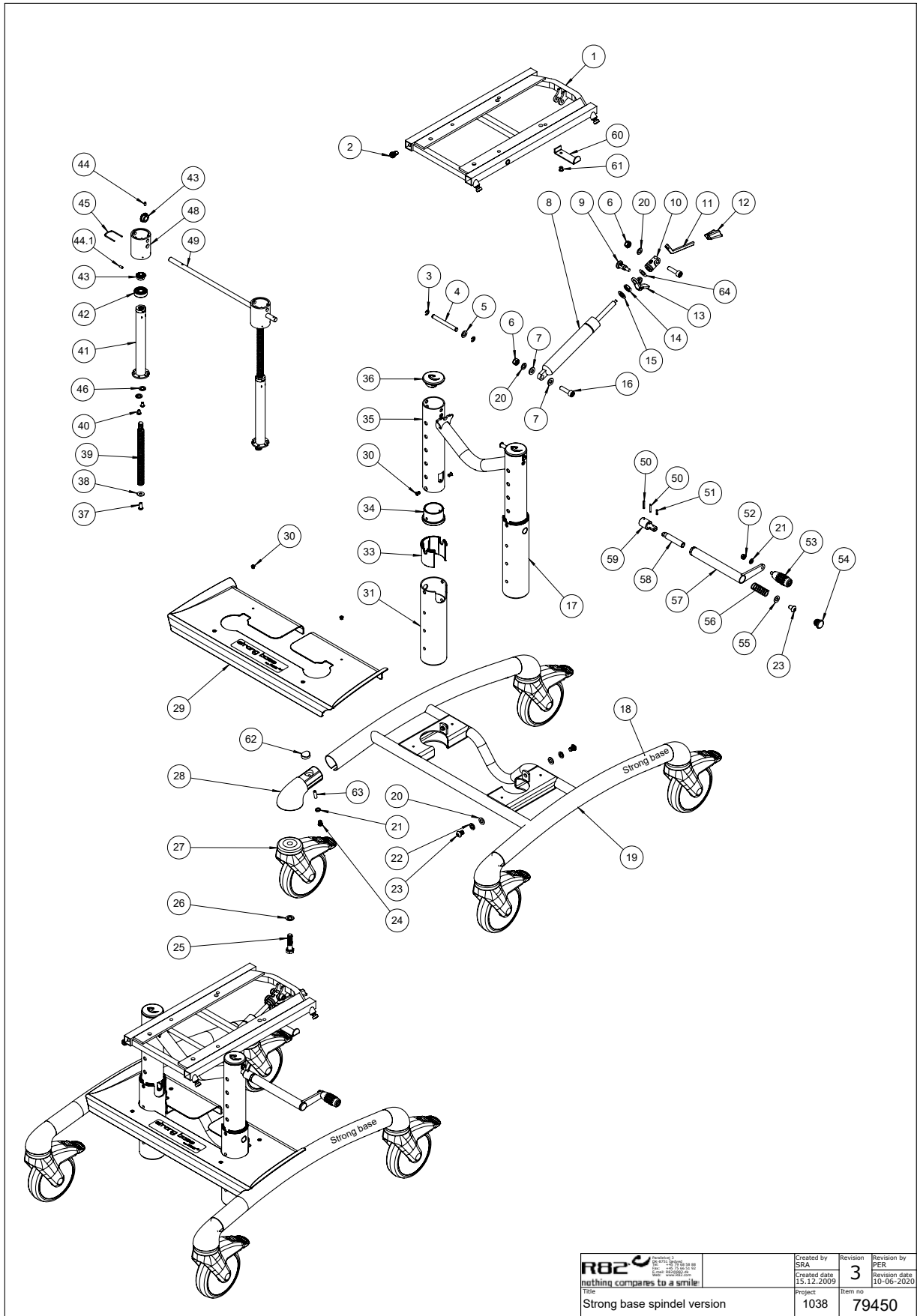
C:\PDM\Projects\1038\79451

 nothing compares to a smile	Created by SRA	Revision 2	Revision by PER
	Created date 15.12.2009	Revision date 28-08-2019	
Title Strong base mechanical		Project 1038	Item no 79451

## Item numbers for Strong base mechanical 89508-1M

Position	No.	Description	Quantity	Unit of Measure	Ean code
1	P-75776-35	Seat frame, painted	1	PCS	5707292834515
2	0603530	Insex low head M8x16 stainless	4	PCS	5707292412492
3	1145060	Locking washer, axle stainless	4	PCS	5707292375056
4	75784	Axle for seatframe	2	PCS	5707292545923
5	1310645	Washer, nature Ø16x8x0,5mm	2	PCS	5707292446015
6	1607000	Lock nut 8mm, large pack	4	PCS	5707292141378
7	1310717	Nylon washer, nat o17-8,4x2mm	2	PCS	5707292140821
8	5040065	Gas spring 800N, mount Strongb	1	PCS	5707292558688
16	0615010	Insex M8x30 fzb, shortened	2	PCS	5707292367990
17	P-102200-35	Height Adj. column righ,painte	1	PCS	5707292834522
18	0493210	Strongbase label silver	2	PCS	5707292553775
19	P-75760-35	Frame, strongbase, painted	1	PCS	5707292834560
20	1105080	Stainless washer 8mm	10	PCS	5707292140364
21	1100490	Spring washer M6 stainless	4	PCS	5707292411297
22	1100500	Spring washer 8mm, stainless	4	PCS	5707292140142
23	0661200	Button head screw 8x12 stainl.	4	PCS	5707292139542
24	0659200	Button head screw 6x12 stainl.	4	PCS	5707292139436
25	0607990	Insex screw 12x30	4	PCS	5707292138446
26	1101600	Center spring washer 12mm	4	PCS	5707292140197
27	3006975	125mm directional/totallock	4	PCS	5707292543387
29	75761	Cover for frame	1	PCS	5707292485113
30	0506504	Rivet tas d 56 bs 4,1x8,5	8	PCS	5707292395818
31	P-102192-35	Height Adj. column left,painte	1	PCS	5707292834553
32	0603750	Insex M8x75, FZB	2	PCS	5707292138309
33	75788	Guide bush, frame	2	PCS	5707292545930
34	75764	Top bush	2	PCS	5707292545749
35	P-102186	H-Frame, For Strongbase	1	PCS	5707292572455
36	101098	Gearbox top, strongbase	2	PCS	5707292553522
47	2501406	Nut protection, black, f/M8	2	PCS	5707292375919
28+37+38	103234	Wheel mount	4	PCS	5707292565877

# Strong base spindel 89508-1S

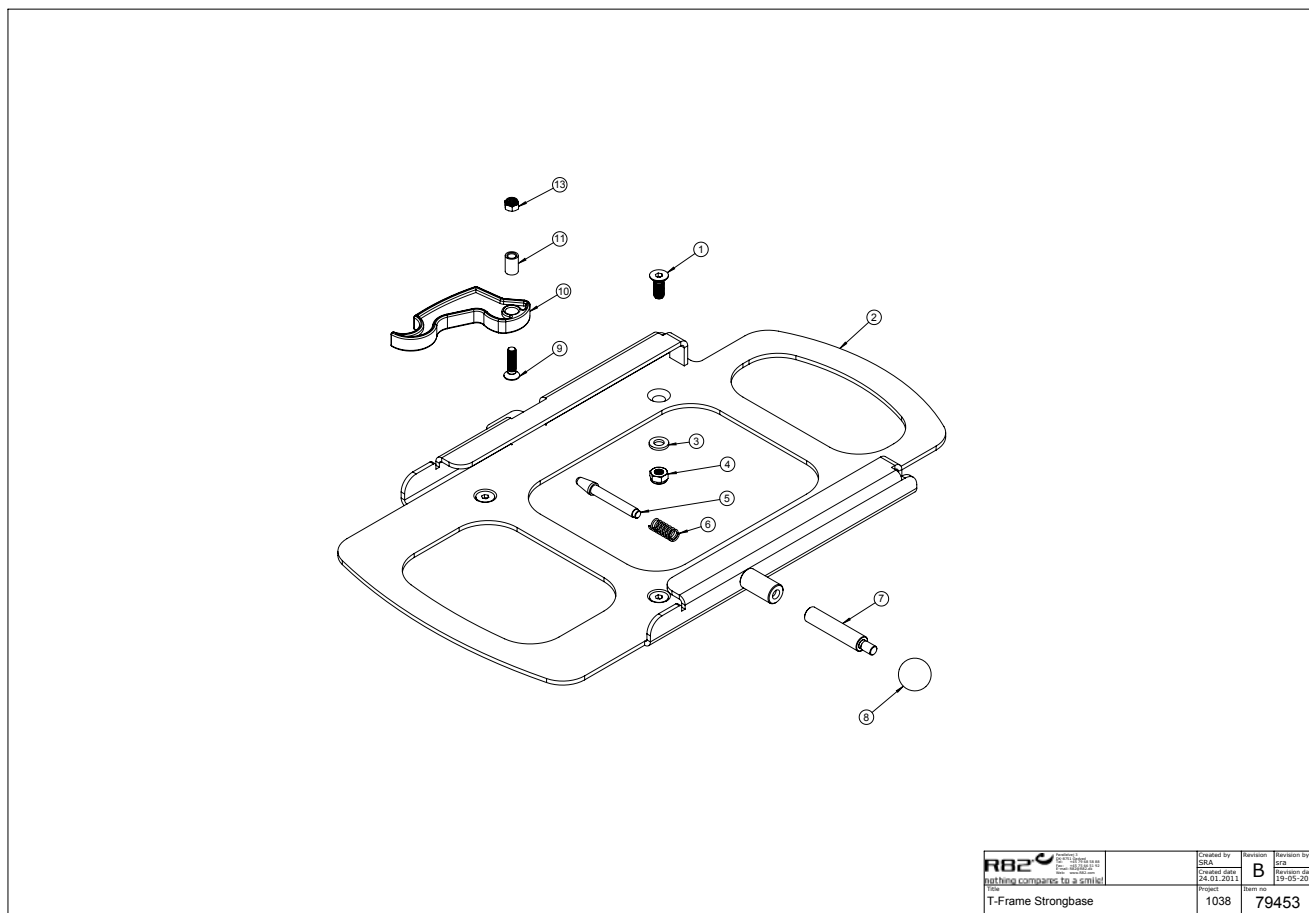


## Item numbers for Strong base spindel 89508-1S

Position	No.	Description	Quantity	Unit of Measure	Ean code
1	P-75776-35	Seat frame, painted	1	PCS	5707292834515
2	0603530	Insex low head M8x16 stainless	4	PCS	5707292412492
3	1145060	Locking washer, axle stainless	4	PCS	5707292375056
4	75784	Axle for seatframe	2	PCS	5707292545923
5	1310645	Washer, nature Ø16x8x0,5mm	2	PCS	5707292446015
6	1607000	Lock nut 8mm, large pack	2	PCS	5707292141378
7	1310717	Nylon washer, nat o17-8,4x2mm	2	PCS	5707292140821
16	0615010	Insex M8x30 fzb, shortened	2	PCS	5707292367990
17	P-102200-35	Height Adj. column righ,painte	1	PCS	5707292834522
18	0493210	Strongbase label silver	2	PCS	5707292553775
19	P-75760-35	Frame, strongbase, painted	1	PCS	5707292834560
20	1105080	STAINLESS WASHER 8MM	6	PCS	5707292140364
21	1100490	Spring washer M6 stainless	5	PCS	5707292411297
22	1100500	Spring washer 8mm, stainless	4	PCS	5707292140142
23	0661200	Button head screw 8x12 stainl.	5	PCS	5707292139542
24	0659200	Button head screw 6x12 stainl.	4	PCS	5707292139436
25	0607990	Insex screw 12x30	4	PCS	5707292138446
26	1101600	Center spring washer 12mm	4	PCS	5707292140197
27	3006975	125mm directional/totallock	4	PCS	5707292543387
29	75761	Cover for frame	1	PCS	5707292485113
30	0506504	Rivet tas d 56 bs 4,1x8,5	8	PCS	5707292395818
31	P-102192-35	Height Adj. column left,painte	1	PCS	5707292834553
33	75788	Guide bush, frame	2	PCS	5707292545930
34	75764	Top bush	2	PCS	5707292545749
35	P-102186	H-Frame, For Strongbase	1	PCS	5707292572455
36	101098	Gearbox top, strongbase	2	PCS	5707292553522
37	0641200	Button head screw 6x12	2	PCS	5707292139252
38	1101950	Washer Ø6,1-16x1 mm, FZB	2	PCS	5707292140210
39	100491	Spindel TR 14x4	2	PCS	5707292553485
40	0640910	Button head M5x10 FZB	4	PCS	5707292380142
41	101162	Spindle housing complete	2	PCS	5707292553768
42	2985213	Ballbearing 6200-2RS	2	PCS	5707292553461
43	101093	2020-1 Sprocket f. drive shaft	4	PCS	5707292553645
44	0690805	Stopscrew w.peak M4x8,stainl.	2	PCS	5707292554994
44.1	0690805	Stopscrew with peak	2	PCS	5707292554994
45	101152	Clips for bearing	2	PCS	5707292553928
46	1100485	Spring washer M5, stainless	2	PCS	5707292478603
48	101097	Gearbox, strongbase	2	PCS	5707292553652
49	100470	Ø8 Drive axel	1	PCS	5707292553669
50	0532220	Tighten wedge 3x20 stainless	2	PCS	5707292555007
51	0532225	Tighten wedge 3x10 stainl.	1	PCS	5707292556028
52	1606500	Lock nut 6 mm	1	PCS	5707292141361
53	3515010	Handle foldable	1	PCS	5707292554987
54	2502510	Plug 20x2,0-2,5 inside black	1	PCS	5707292557759
55	1310610	Nylon washer din 125a, M8	1	PCS	5707292374684
56	101108	Pressure spring for cranck	1	PCS	5707292553751
57	101100	Krank body	1	PCS	5707292553713
58	101101	Adapter joint for krank	1	PCS	5707292553690

59	100474	Adapter joint for drive shaft	1	PCS	5707292553676
60	102444-35	Handle Hook	1	PCS	5707292632241
61	0506504	Rivet tas d 56 bs 4,1x8,5	1	PCS	5707292395818
28+62+63	103234	Wheel mount	4	PCS	5707292565877
MODUL	5040065	Gas spring 800N, mount Strongb	1	PCS	5707292558688

## T-Frame Strong Base, kit 8911610-99L

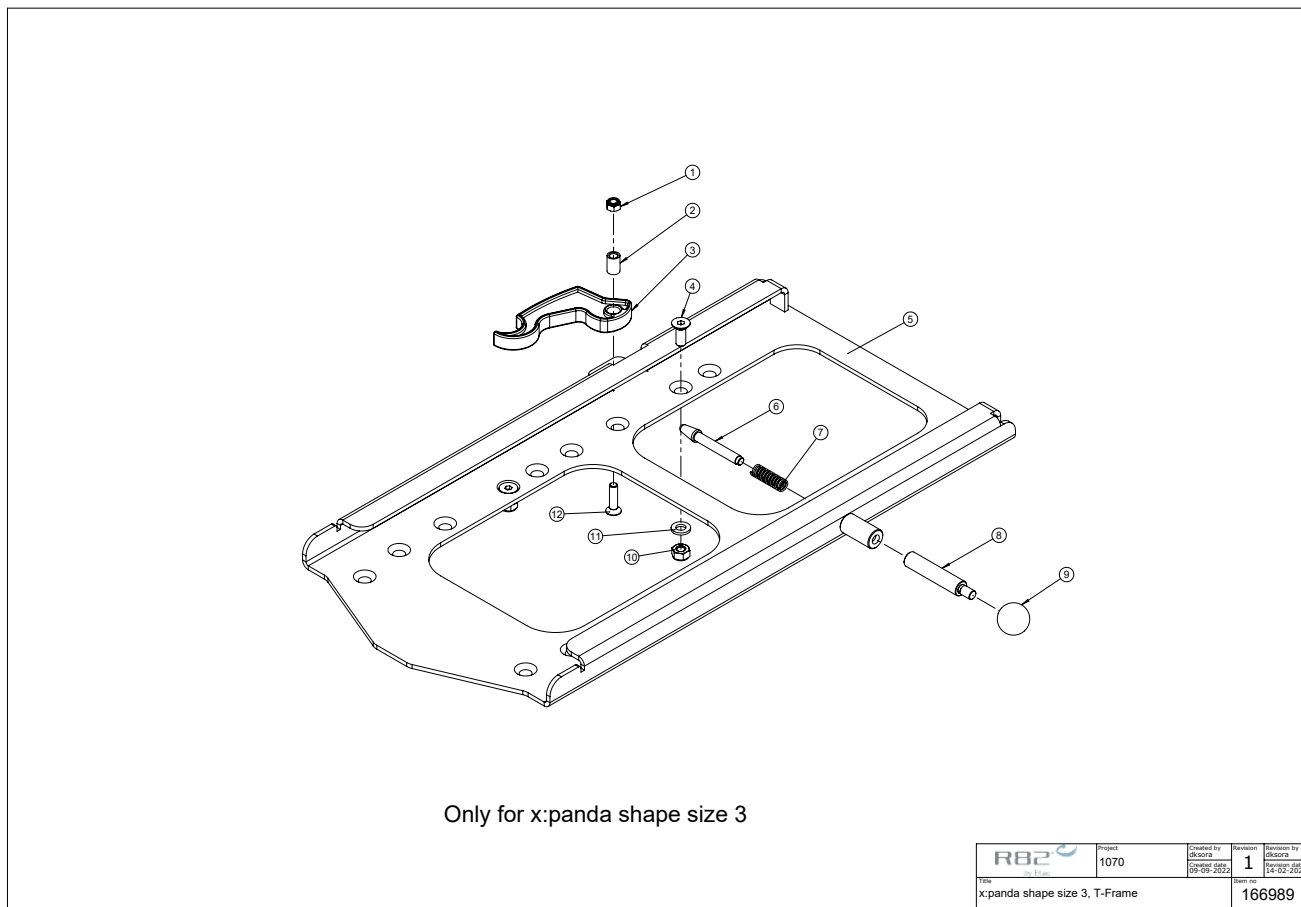


### Item numbers for T-Frame Strong Base, kit 8911610-99L

Position	No.	Description	Quantity	Unit of Measure	Ean code
1	0609728	Insex, stainless 6x16 uh	4	PCS	5707292138491
2	75774-01	T-Frame	1	PCS	5707292540249
3	1105060	Stainless washer 6mm	4	PCS	5707292140357
4	1631060	Stainless lock nut 6mm	4	PCS	5707292141446
5	6113000	Spindle, t-part/frame	1	PCS	5707292186362
6	0310100	Pressure spring 0,9x8x23x10,5v	1	PCS	5707292135513
7	6118750	Handle x:panda	1	PCS	5707292530509
8	3502008	Knob handle Ø20 M6	1	PCS	5707292146830
9	0615020	Insex screw counters. 5x20	1	PCS	5707292138866
10	75905	Clamping grip	1	PCS	5707292534590
11	75641	Bush 5-8x11,8	1	PCS	5707292466501
13	1606300	Lock nut 5 mm	1	PCS	5707292141354



## Adaptor for x:panda shape size 3, kit 905090



### Item numbers for Adaptor for x:panda shape size 3, kit 905090

Position	No.	Description	Quantity	Unit of Measure	Ean code
1	1606300	Lock nut 5 mm	1	PCS	5707292141354
2	75641	Bush 5-8x11,8	1	PCS	5707292466501
3	75905	Clamping grip	1	PCS	5707292534590
4	0621600	Insex screw counters. 6x16	4	PCS	5707292138965
5	166990	T-Frame x:panda shape size 3	1	PCS	5707292976130
6	6113000	Spindle, t-part/frame	1	PCS	5707292186362
7	0310100	Pressure spring 0,9x8x23x10,5v	1	PCS	5707292135513
8	6118750	Handle x:panda	1	PCS	5707292530509
9	3502008	Knob handle Ø20 M6	1	PCS	5707292146830
10	1606500	Lock nut 6 mm	4	PCS	5707292141361
11	1105060	SS washer M6 6,4x12x1,6	4	PCS	5707292140357
12	0615020	Insex screw counters. 5x20	1	PCS	5707292138866