



e-Drive PLUS Parts Catalog

Updated: 2016-11
Robert Larsson

Preface

This parts catalog lists parts and assemblies configuring the JWX-1 PLUS which can be repaired. When ordering parts, please refer to the parts catalog and indicate the part number, part name, and quantity accurately. Please be careful to select the part name and number corresponding to the appropriate one.

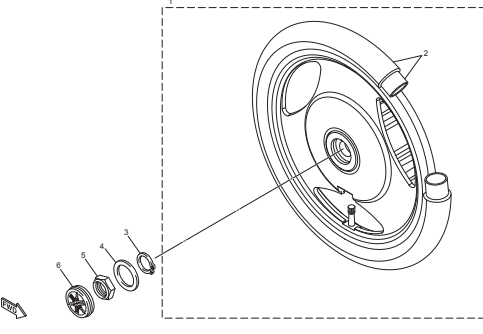
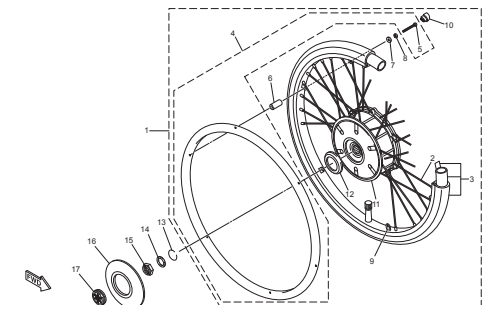
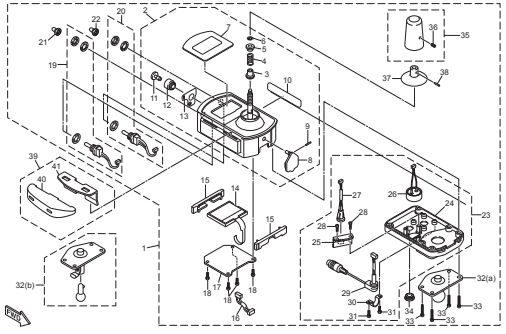
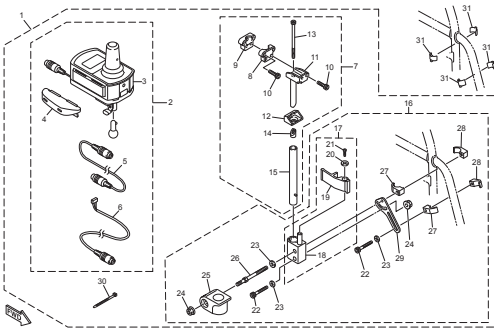
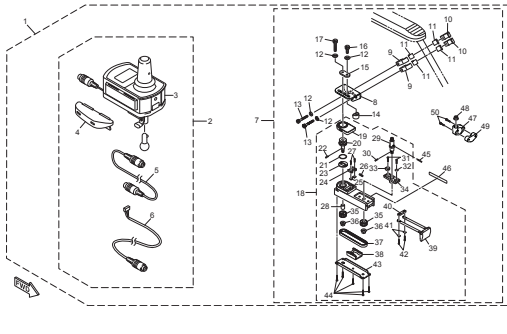
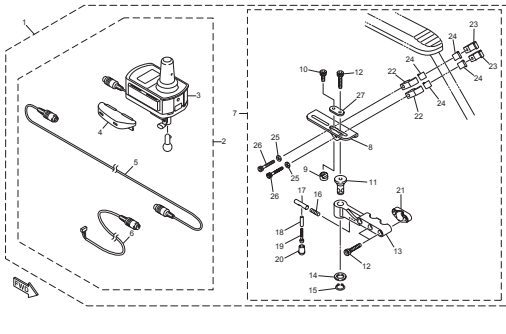
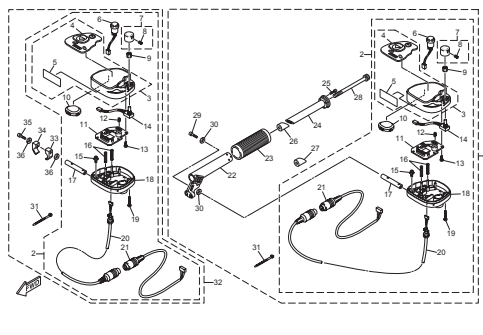
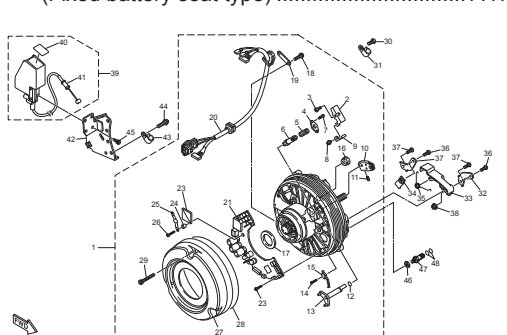
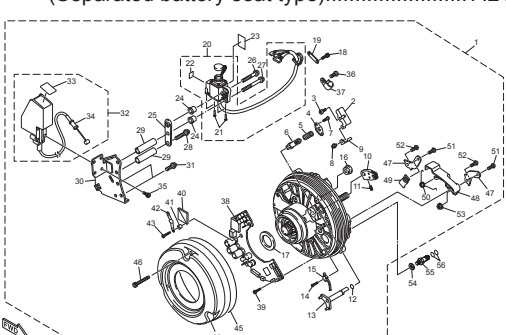
Assembly parts are indicated with (*) in front of the component part name.

Information concerning new parts being brought out and parts being discontinued will be listed in the Service News and/or other documentation. Please update the parts catalog based on that information.

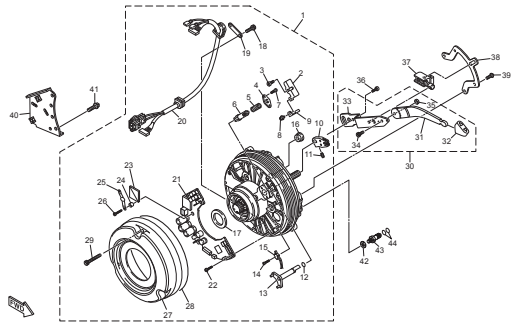
This catalog does not contain guidelines for assembling or renovating the unit. Please refer to the service manual when repairing the unit.

The tightening torque information is only the specimen for reference. Please refer to the service manual for details.

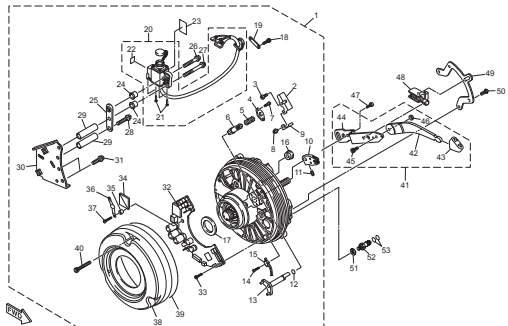
Contents

<p>1. 16inch wheel assembly P.1</p> 	<p>2. 24inch wheel assembly P.3</p> 	<p>3. Joystick controller unit P.5</p> 
<p>4. Remote control unit for self (1) P.7</p> 	<p>5. Remote control unit for self (2) P.9</p> 	<p>6. Remote control unit for self (3) P.13</p> 
<p>7. Remote control unit for assistant (Optional) ... P.15</p> 	<p>8. 16inch wheel right drive unit (Fixed battery seat type) P.17</p> 	<p>9. 16inch wheel right drive unit (Separated battery seat type) P.21</p> 

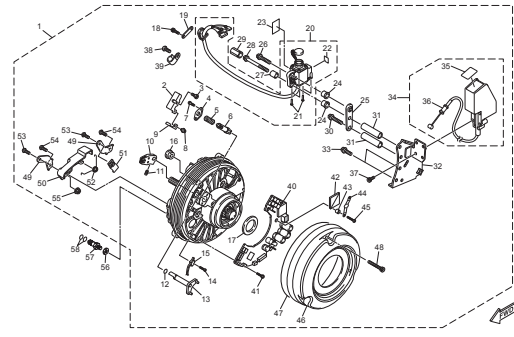
10. 24inch wheel right drive unit
(Fixed battery seat type) P.25



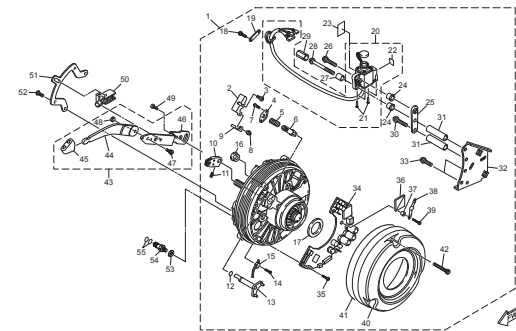
11. 24inch wheel right drive unit
(Separated battery seat type)..... P.29



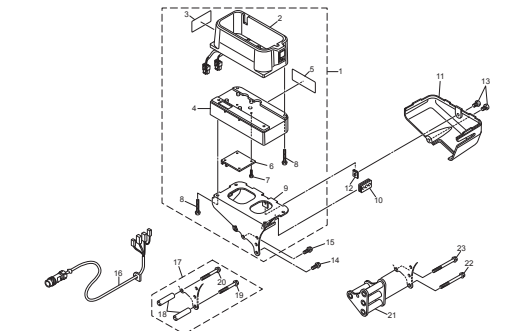
12. 16inch wheel left drive unit..... P.33



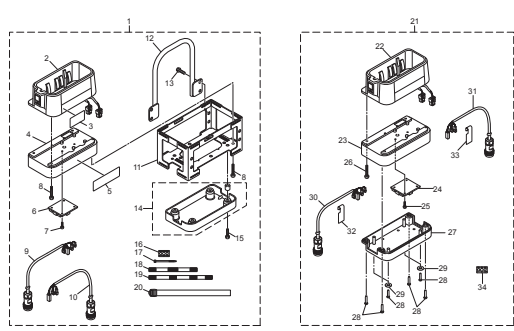
13. 24inch wheel left drive unit..... P.37



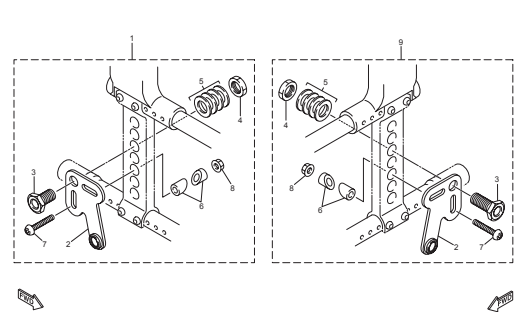
14. Battery seat (1)..... P.41



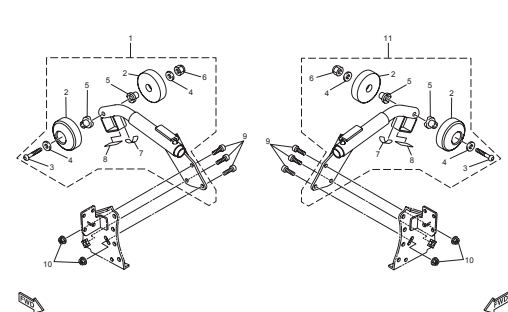
15. Battery seat (2)..... P.43



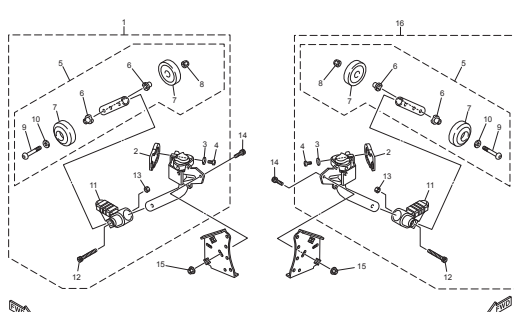
16. Axle sleeve and bracket..... P.45



17. 16inch model anti-tipping bar P.47



18. 24inch model anti-tipping bar P.49



19. Battery and battery charger..... P.51

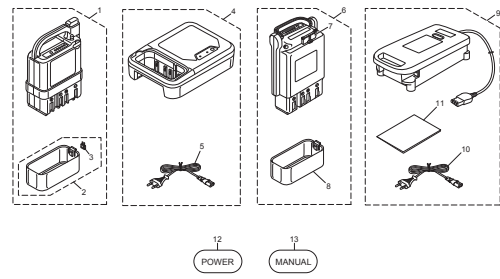


FIG. 1 16inch wheel assembly

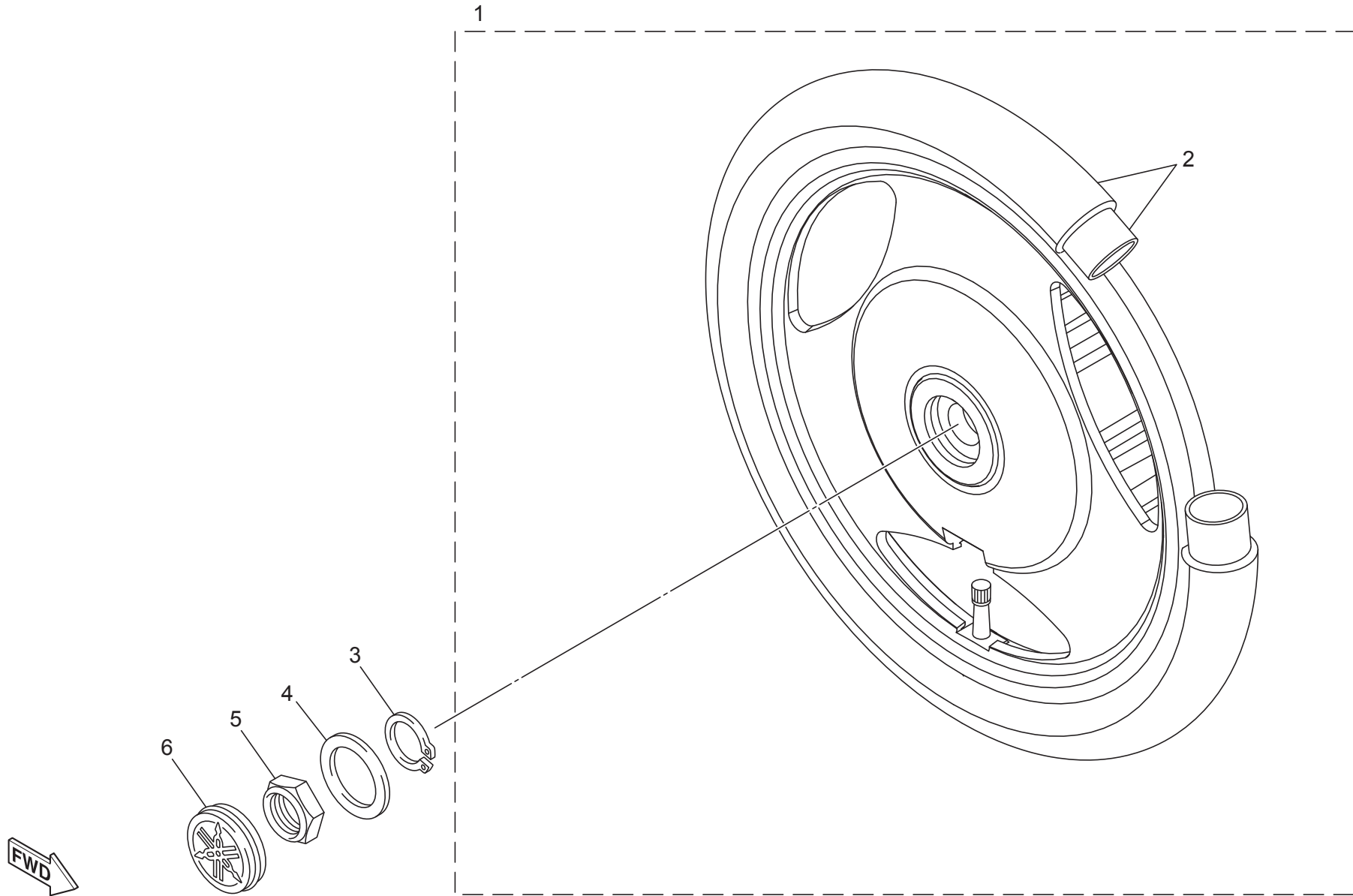


FIG. 1 16inch wheel assembly

No.	Part Number	Part Name	Qty.	Detail
1	X0D-25005-A0	REAR WHEEL ASSEMBLY	2	
2	XA8-25308-A0	• REAR TIRE SET	2	16 inch tire and tube set
3	99009-20400	CIRCLIP	2	
4	X0D-25384-00	WASHER	2	Do not overlap the circlip
5	90185-20007	NUT, SELF LOCKING	2	Not reusable
6	X0F-25367-01	COVER, DUST	2	

FIG. 2 24inch wheel assembly

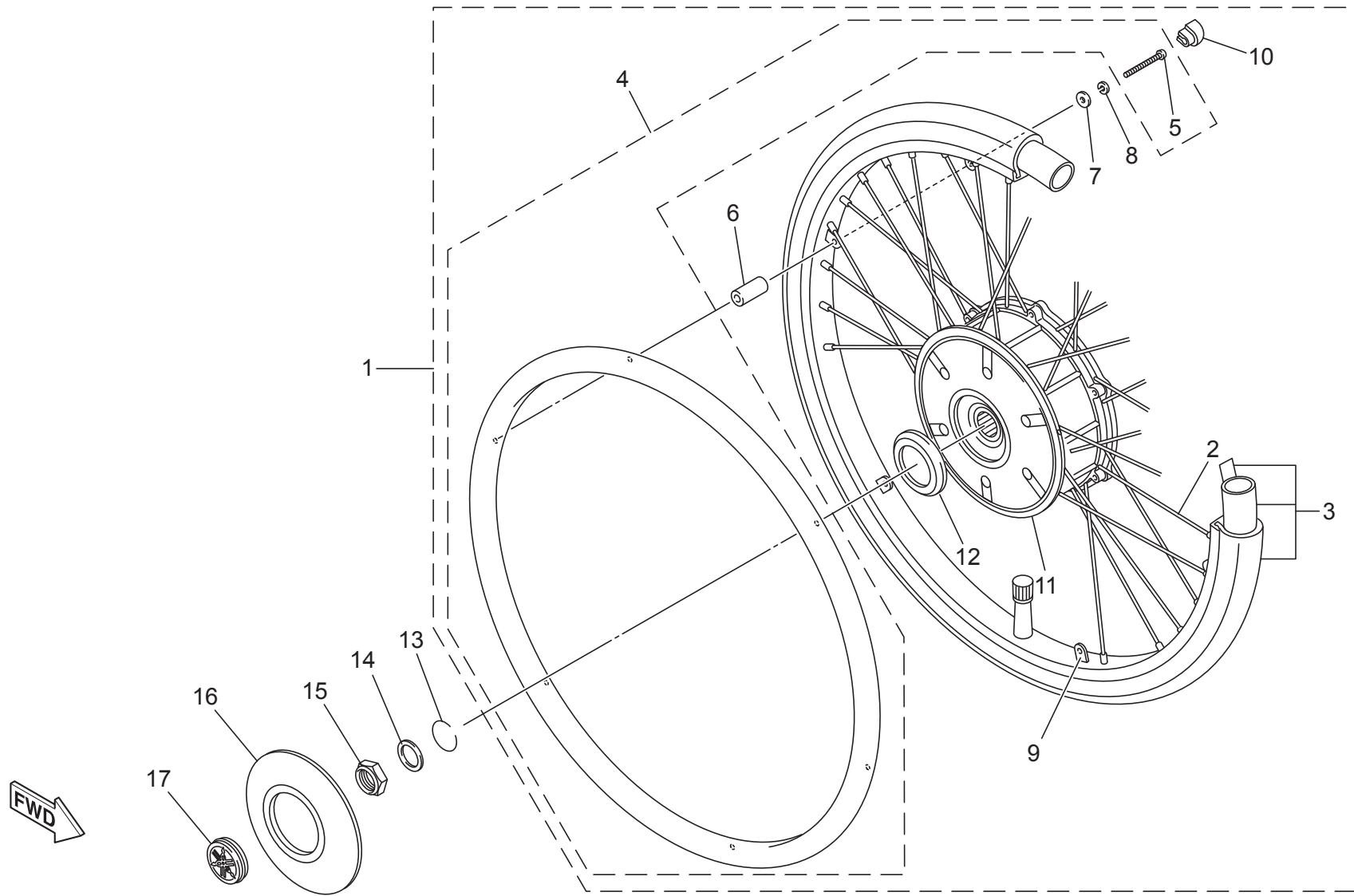


FIG. 2 24inch wheel assembly

No.	Part Number	Part Name	Qty.	Detail
1	X0F-25005-A2	REAR WHEEL ASSEMBLY	2	24inch wheel assembly
2	X0F-25304-10	• REAR SPOKE SET	2	For 24inch (one) wheel, 36(18x2) spokes and 36 nipples
3	XA4-25308-H0	• REAR TIRE SET	2	24inch tire, tube and rim band set
4	X0F-2255A-00	PIPE ASSEMBLY 1	2	24inch metal handrim one piece and bolts
	X0F-2255A-10			24inch coated handrim one piece and bolts
5	X0C-25411-00	• • BOLT, FITTING	12	6 for one side wheel. Tightening torque: 4-5Nm
6	X0C-25192-00	• STAY	12	6 for one side wheel.
7	92902-05200	• WASHER, PLAIN	12	6 for one side wheel.
8	92902-05100	• WASHER, SPRING	12	6 for one side wheel.
9	X0F-2539F-00	• PLATE 1	12	6 for one side wheel.
10	X0C-25188-00	• CAP	12	6 for one side wheel.
11	X0F-25336-03	• RING 2	2	Plastic hub outer ring
12	X0F-25335-00	• CAP	2	
13	X0C-2536E-00	CLIP, SPRING	2	
14	X0C-25384-00	WASHER	2	
15	90185-20007	NUT, SELF LOCKING	2	Not reusable. Tightening torque: 55-65Nm
16	X0C-2532A-A1	CAP, REAR WHEEL	2	Silver, with adhesive tape applied
	X0C-2532A-B0			Black, with adhesive tape applied
17	X0F-25367-01	COVER, DUST	2	Black rubber cap

FIG. 3 Joystick controller unit

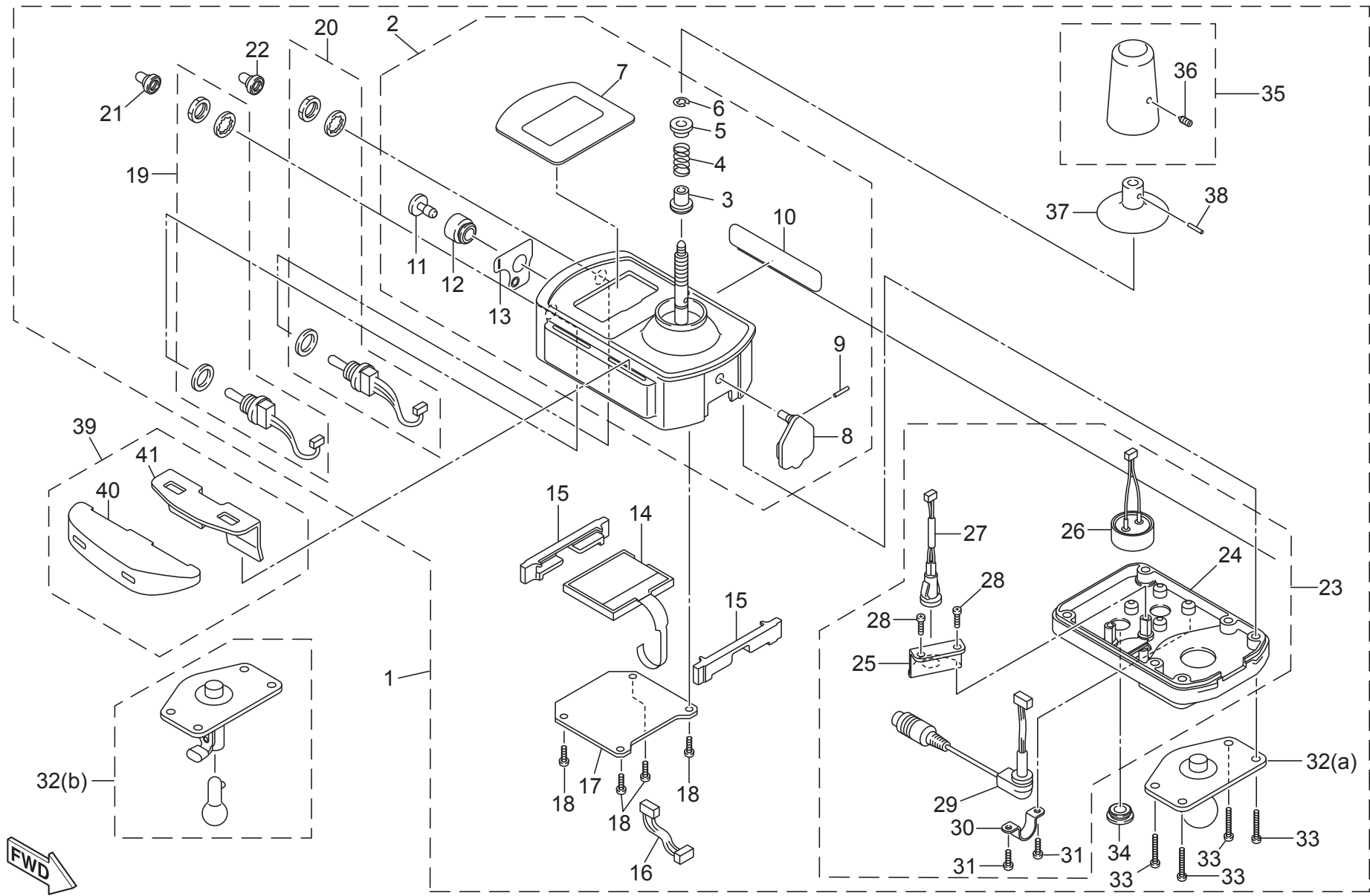


FIG. 3 Joystick controller unit

No.	Part Number	Part Name	Qty.	Detail
1	X0F-48110-A0	REMOTE CONTROLLER ASSEMBLY	1	Joystick unit with fixed type bracket 1 (No.31 (a))
	X0F-48110-B0			Joystick unit with detachable type bracket 1 (No.31 (b))
2	X0F-482A0-A0	• JOYSTICK CONTROLLER ASSEMBLY	1	
3	X0F-48243-00	•• BUSH 3	1	
4	X0F-48141-00	•• SPRING, CONTROLLER LEVER	1	Joystick operation force controlling spring. See service manual.
5	X0F-48263-00	•• BUSH 4	1	
6	99009-06400	•• CIRCLIP	1	Not reusable
7	X0F-4811A-A0	•• LABEL 1	1	Transparent plastic cover. Anti-tarnish applied. Don't touch back surface.
8	X0F-82375-01	•• COVER, PLUG CAP	1	Rubber USB jack cover
9	93602-13177	•• PIN, DOWEL	1	To secure USB jack cover
10	X0C-2118K-A2	•• LABEL, CAUTION	2	See owner's manual' label, Affixed on both left/right surface.
11	X0F-8396K-00	•• BUTTON	1	Horn button
12	X0F-83634-00	•• GROMMET	1	Horn button holding grommet
13	X0F-4811B-00	•• LABEL 2	1	
14	X0F-8359K-00	• LCD	1	Display unit
15	X0F-8358W-00	• HOLDER, DISPLAY	2	Rubber display holder
16	X0F-8332N-00	• WIRE 2, LEAD	1	Connecting cable
17	X0F-85920-10	• CONTROLL BOX ASSEMBLY	1	Circuit board
18	97707-30508	• SCREW	4	To secure circuit board
19	X0F-82508-00	• MAIN SWITCH ASSEMBLY	1	Power switch with rubber grommet, rosette washer and nut. Nut tightening torque: 1.4-1.6Nm
20	X0F-86288-00	• SELECT SWITCH 1	1	Speed control switch with rubber grommet, rosette washer and nut. Nut tightening torque: 1.4-1.6Nm
21	X0C-83956-00	• CAP 1	1	Yellow switch cover
22	X0C-83957-00	• CAP 2	1	Black switch cover
23	X0F-8398E-A0	• SWITCH CASE ASSEMBLY, UNDER	1	
24	X0F-83987-00	•• CASE, UNDER SWITCH	1	Plastic bottom case
25	X0F-8396C-00	•• PLATE, GUIDE	1	Metal bracket to secure horn and connector
26	X0F-83370-00	•• HORN ASSEMBLY	1	Horn
27	X0F-85598-00	•• CONNECTOR, WIRE	1	Smart Tune wire jack
28	97707-30508	•• SCREW	2	To secure guide plate. Tightening torque: 0.4-0.6Nm
29	X0F-88146-00	•• CABLE	1	
30	X0F-83599-00	•• GUIDE, WIRE	1	
31	97707-30508	•• SCREW	2	To secure wire guide. Tightening torque: 0.4-0.6Nm
32	X0F-83955-00	• BRACKET 1	1	(a) Fixed type bracket
	X0F-48530-A0			(b) Detachable type bracket
33	97707-40525	• SCREW, PAN HEAD TAPPING	6	To secure bottom case and bracket. Tightening torque: 1.1-1.4Nm
34	X0C-17481-00	• PLUG, BLIND	1	Rubber plug to cover Smart Tune jack
35	X0F-481C0-01	• KNOB ASSEMBLY	1	Joystick knob assembly
36	92A08-03108	•• SET SCREW	1	To secure knob. Tightening torque: 0.1-0.3Nm
37	X0F-48119-00	• COVER	1	Knob base cover
38	93602-13177	• PIN, DOWEL	1	To secure cover
39	X0F-481D0-10	PLATE ASSEMBLY	1	Palm rest plate assembly
40	X0F-48143-00	• PLATE 1, STOPPER	1	Plastic part
41	X0F-48144-00	• PLATE 2, STOPPER	1	Metal plate

FIG. 4 Remote control unit for self (1)

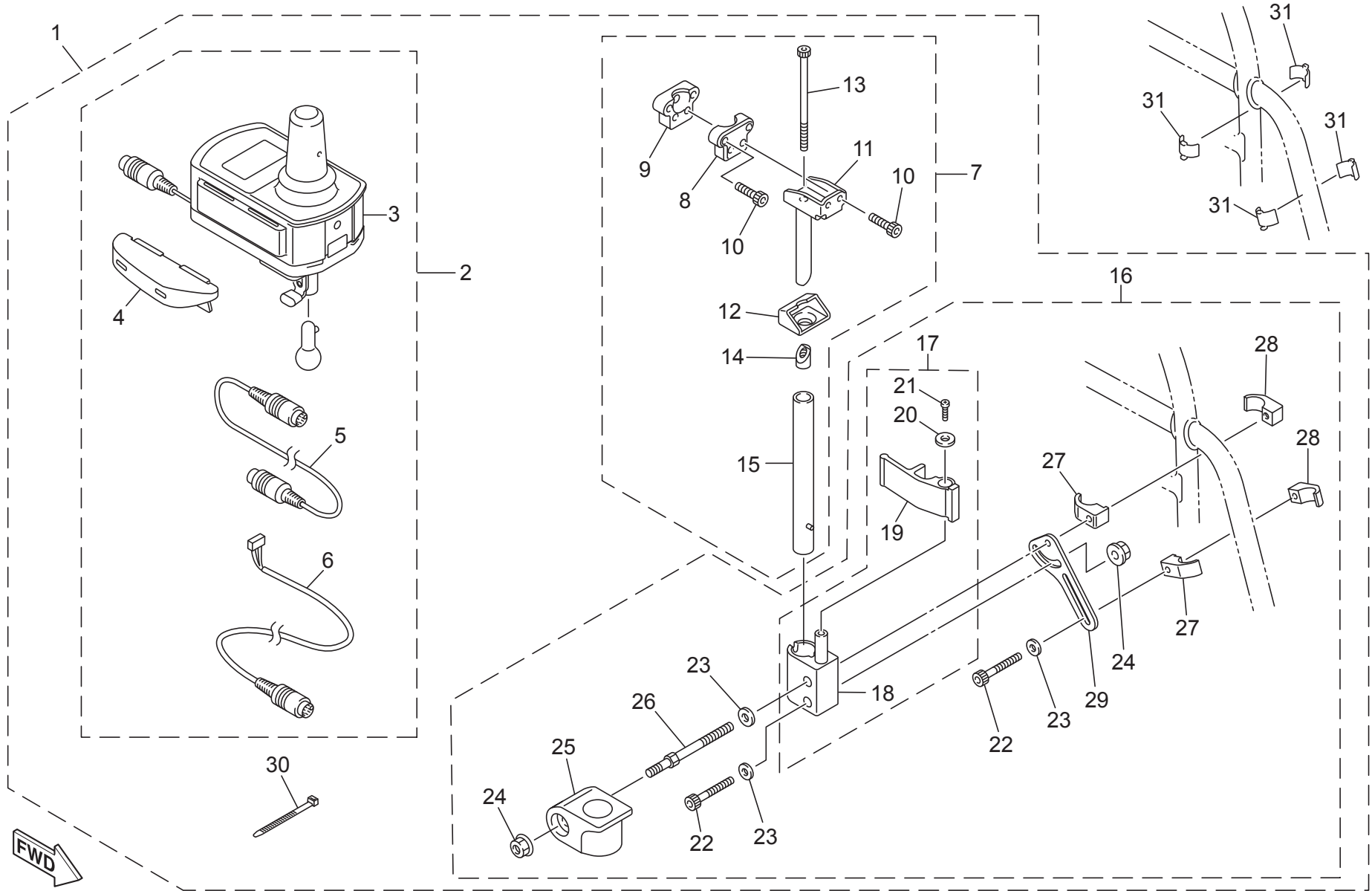


FIG. 4 Remote control unit for self (1)

No.	Part Number	Part Name	Qty.	Detail
1	X0F-48102-A0	R1R	1	
2	X0F-48102-C0	• REMOTE CONTROLLER ASSEMBLY	1	
3	X0F-48110-A0	•• REMOTE CONTROLLER ASSEMBLY	1	Joystick controller with detachable ball joint, refer to FIG.3
4	X0F-481D0-10	•• PLATE ASSEMBLY	1	Palm rest assembly, refer to FIG. 3
5	X0C-48321-00	•• CABLE, REMOTE CONTROLLER	1	Frame line split cable
6	X0C-48381-00	•• CABLE, REMOTE CONTROLLER	1	Battery seat side split cable
7	X0F-48160-00	• UPPER HOLDER ASSEMBLY	1	
8	X0C-24847-00	•• HOLDER 1	1	Hole type
9	X0C-24848-00	•• HOLDER 2	1	Thread type
10	91317-06025	•• BOLT, HEXAGON SOCKET HEAD	4	Tightening torque: 6-8Nm
11	X0C-26112-00	•• BAR, HANDLE	1	
12	X0C-26147-00	•• BOOT, HANDLE	1	Rubber boot
13	91312-06100	•• BOLT, HEXAGON SOCKET HEAD	1	Tightening torque: 14-16Nm
14	XA2-2612J-00	•• NUT, HANDLE	1	Lock nut
15	X0F-26120-02	•• HANDLE ASSEMBLY	1	Total length approx. 205mm (standard, initially installed)
	X0F-26120-12			Total length approx. 255mm (option)
	X0F-26120-22			Total length approx. 155mm (option)
16	X0F-48180-A0	• UNDER HOLDER ASSEMBLY	1	Chair frame side holder unit
17	X0F-26170-A1	•• CONTROL LEVER ASSEMBLY	1	Boss and lever assembly
18	X0F-2612F-01	••• BOSS	1	
19	X0F-26164-00	••• LEVER 1	1	
20	90201-043H5	••• WASHER, PLAIN	1	
21	97707-40514	••• SCREW, PAN HEAD TAPPING	1	Tightening torque: 1.1-1.4Nm
22	91312-06035	•• BOLT, HEXAGON SOCKET HEAD	2	Tightening torque: 14-16Nm
23	92902-06200	•• WASHER, SPRING	3	
24	95602-06200	•• NUT, SELF LOCKING FLANGE	2	Tightening torque: 5-8Nm
25	XA2-2639F-11	•• HOLDER 2	1	
26	X0C-26225-00	• BOLT, HANDLE	1	Tightening torque: 14-16Nm
27	XA2-2612E-00	•• BRACKET	2	Hole type, for ϕ 22mm pipe, option
	X0C-2612E-01			Hole type, for ϕ 26mm pipe, standard
28	XA2-2612K-00	•• BRACKET 2	2	Thread type, for ϕ 22mm pipe, option
	X0C-2612K-01			Thread type, for ϕ 26mm pipe, standard
29	XA2-2615E-00	•• PLATE, STOPPER	1	
30	\$AB150-W	• TIE 150MM	18	
31	XA2-26158-00	PLATE, SIDE	4	Spacer plate for ϕ 19 pipe
	XA2-26158-10			Spacer plate for ϕ 16-17 pipe
	XA2-26158-20			Spacer plate for ϕ 15 pipe

FIG. 5 Remote control unit for self (2)

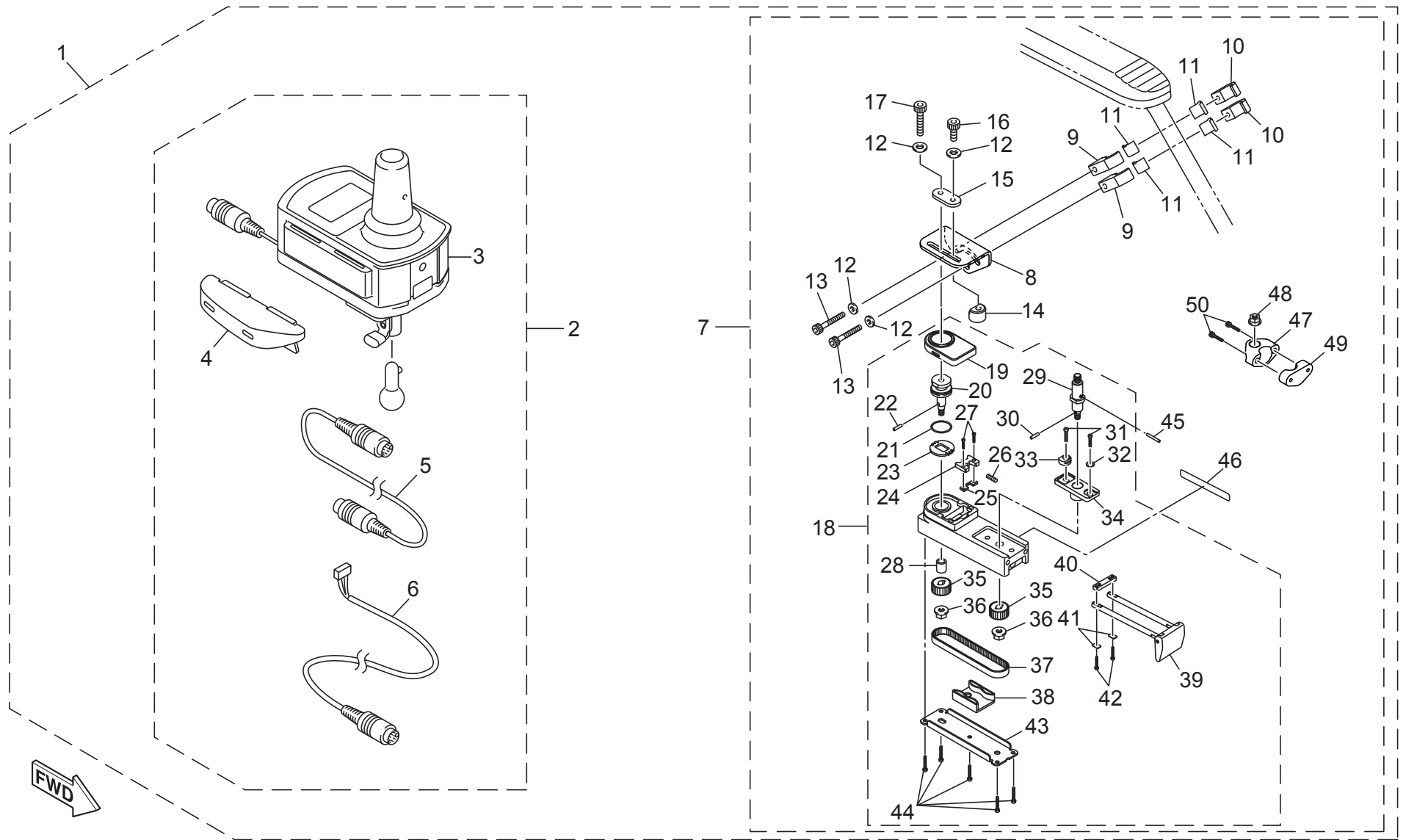


FIG. 5 Remote control unit for self (2)

No.	Part Number	Part Name	Qty.	Detail
1	X0F-48102-D0	X0F R1R	1	
2	X0F-48110-B0	• REMOTE CONTROLLER ASSEMBLY	1	Joystick, cable assembly
3	X0F-482A0-A0	•• JOYSTICK CONTROLLER ASSEMBLY	1	Joystick controller with detachable ball joint, refer to FIG.3
4	X0F-481D0-10	•• PLATE ASSEMBLY	1	Palm rest assembly, refer to FIG. 3
5	X0C-48321-00	•• CABLE, REMOTE CONTROLLER	1	Frame line split cable
6	X0C-48381-00	•• CABLE, REMOTE CONTROLLER	1	Battery seat side split cable
7	X0F-48160-D0	• UPPER HOLDER ASEMBLY 2	1	Sliding bracket assembly
8	X0F-46295-00	•• BRACKET, ARM	1	
9	XA2-2612E-00	•• BRACKET	2	Hole type, for $\phi 22$ mm frame pipe
10	XA2-2612K-00	•• BRACKET 2	2	Thread type, for $\phi 22$ mm frame pipe
11	X0F-4819A-00	•• EXTENSION PLATE SET	1	Spacer plate 4pcs, for 19mm frame pipe
12	92902-06200	•• WASHER, SPRING	4	
13	91312-06035	•• BOLT, HEXAGON SOCKET HEAD	2	Tightening torque: 11-13Nm
14	X0C-45721-00	•• NUT, LOCK	1	Lock nut for initial position adjusting
15	X0C-46336-00	•• PLATE 1	1	
16	91317-06016	•• BOLT, HEXAGON SOCKET HEAD	1	Tightening torque: 8-10Nm
17	91317-06020	•• BOLT, HEXAGON SOCKET HEAD	1	Tightening torque: 8-10Nm
18	X0F-46310-50	•• CASE ASSEMBLY	1	Slide bracket main unit
19	X0F-46154-00	••• COVER, HOUSING	1	
20	X0F-4633G-00	••• SHAFT	1	Frame side pivot shaft
21	93210-22ME5	••• O-RING	1	
22	93603-12007	••• PIN, DOWEL	1	
23	X0F-46326-00	••• GEAR 1, WHEEL	1	
24	X0F-4636A-00	••• DOG, CLUTCH	1	
25	X0F-47466-01	••• SPACER	1	
26	X0F-46277-00	••• SPRING, RETURN	1	
27	98502-03012	••• SCREW, PAN HEAD	2	Tightening torque: 0.4-0.6Nm
28	X0F-46368-00	••• COLLAR, IDLER	1	
29	X0F-46335-00	••• SHAFT 1	1	Joystick controller side shaft
30	93603-12007	••• PIN, DOWEL	1	
31	97707-40520	••• SCREW, PAN HEAD TAPPING	2	Tightening torque: 1.1-1.4Nm
32	92907-04200	••• WASHER, PLAIN	1	
33	X0F-46223-00	••• CAM	1	
34	X0F-46212-00	••• BOSS 1	1	

FIG. 5 Remote control unit for self (2)

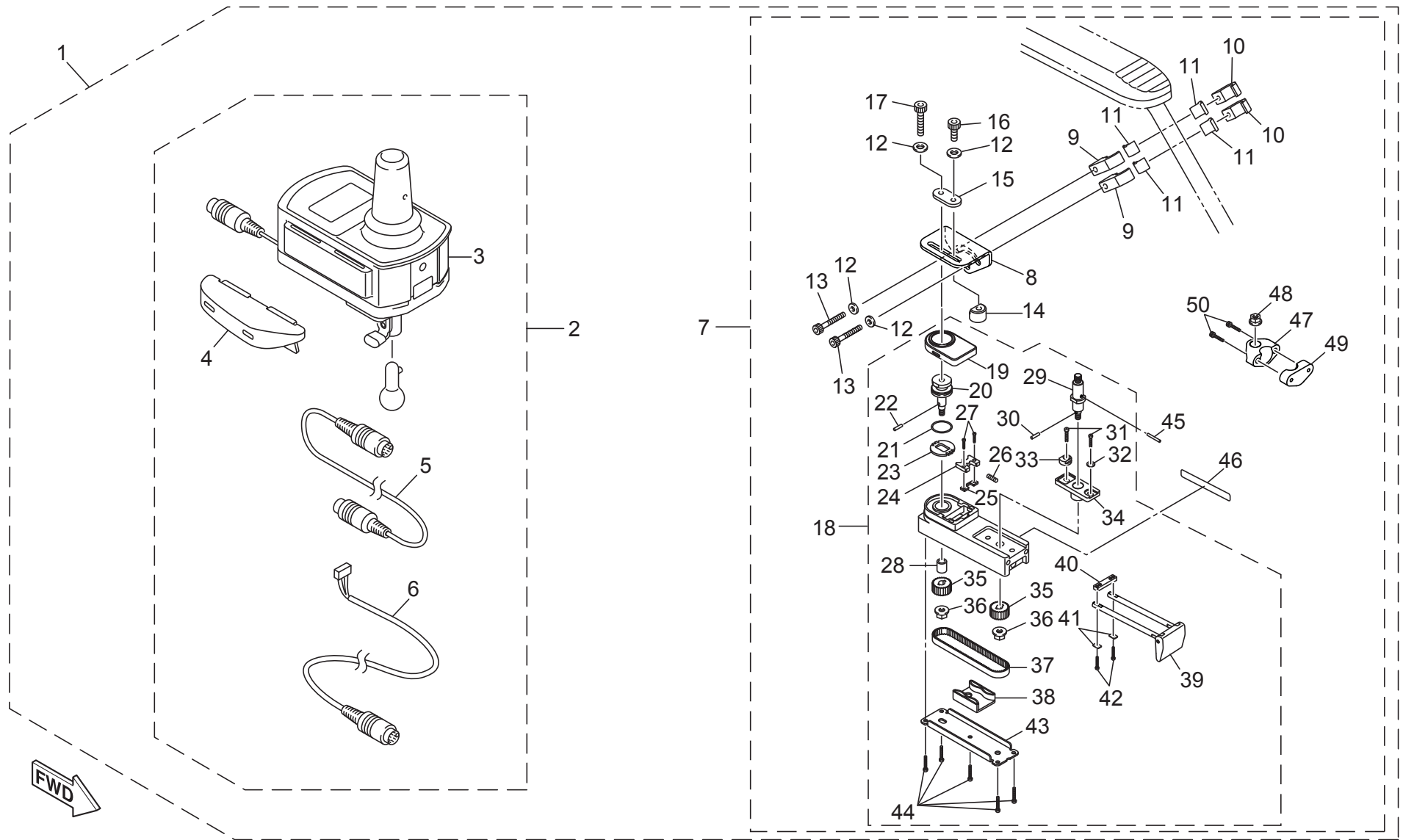


FIG. 5 Remote control unit for self (2)

No.	Part Number	Part Name	Qty.	Detail
35	X0F-46257-00	••• PULLEY 2	2	
36	95607-06200	••• NUT, SELF LOCK FLANGE	2	Tightening torque: 6-8Nm
37	X0F-46241-00	••• BELT	1	Direction holding belt
38	X0F-4632K-00	••• PLATE, ADJUSTING	1	
39	X0F-45818-00	••• LEVER 1	1	Position lock release lever
40	X0F-47341-02	••• SPACER	1	
41	X0F-45618-01	••• WASHER 1	2	
42	98502-03012	••• SCREW, PAN HEAD	2	Tightening torque: 0.4-0.6Nm
43	X0F-47519-00	••• PLATE	1	Bottom plate
44	97707-40514	••• SCREW, PAN HEAD TAPPING	5	Tightening torque: 1.1-1.4Nm
45	93603-16219	•• PIN, DOWEL	1	
46	X0C-83585-A1	•• LABEL	1	'Fold down grip' label
47	X0F-24847-00	•• HOLDER 1	1	
48	95607-08200	•• NUT, SELF LOCK FLANGE	1	Tightening torque: 9-11Nm
49	X0C-46239-00	•• STOPPER	1	
50	91317-06020	•• BOLT, HEXAGON SOCKET HEAD	2	Tightening torque: 6-8Nm

FIG. 6 Remote control unit for self (3)

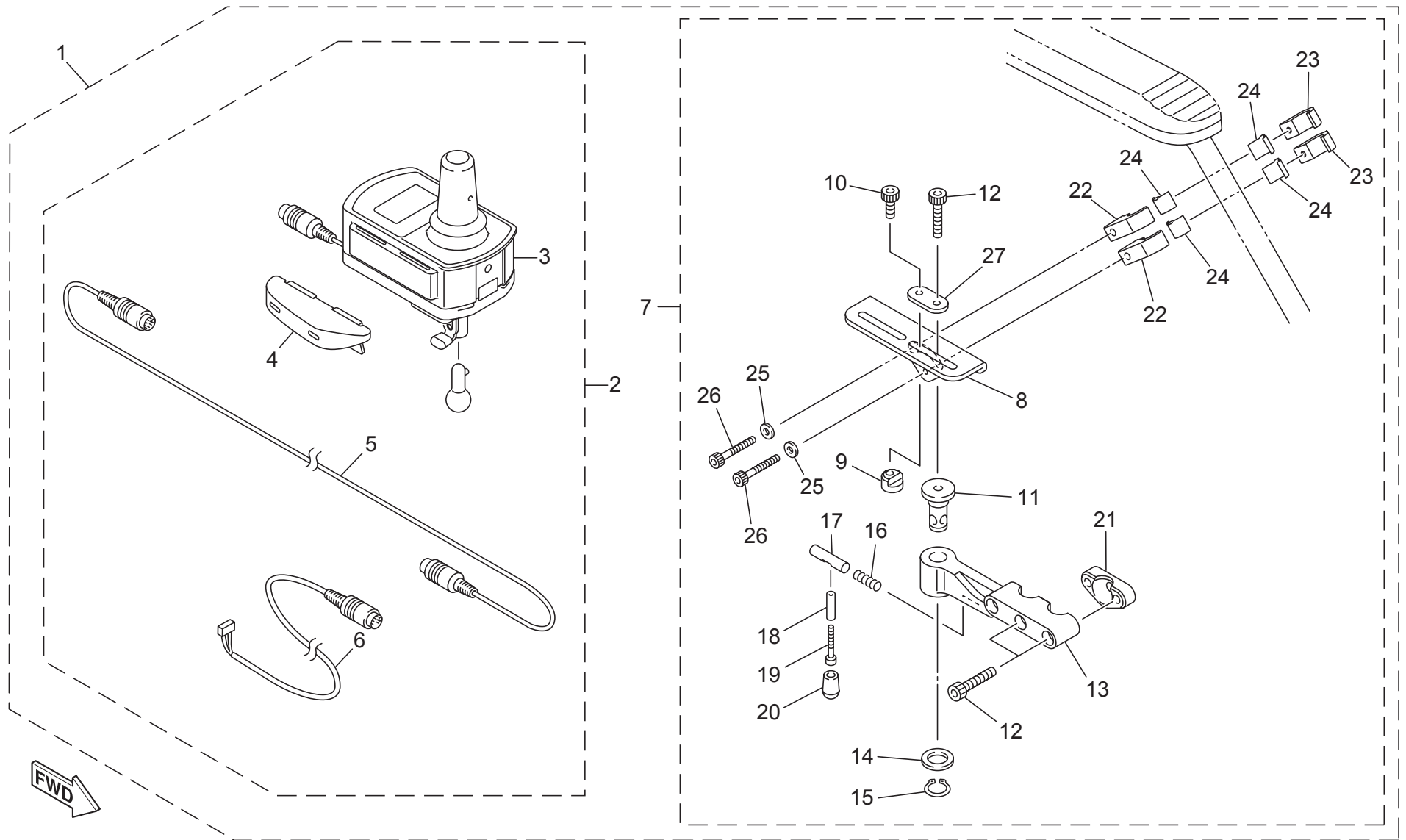


FIG. 6 Remote control unit for self (3)

No.	Part Number	Part Name	Qty.	Detail
1	X0F-48102-B0	X0F R1R	1	
2	X0F-48110-B0	• REMOTE CONTROLLER ASSEMBLY	1	Joystick controller with detachable ball joint, refer to FIG.3
3	X0F-482A0-A0	•• JOYSTICK CONTROLLER ASSEMBLY	1	Joystick controller, refer to FIG.3
4	X0F-481D0-10	•• PLATE ASSEMBLY	1	Palm rest assembly, refer to FIG. 3
5	X0C-48321-00	•• CABLE, REMOTE CONTROLLER	1	Frame line split cable
6	X0C-48381-00	•• CABLE, REMOTE CONTROLLER	1	Battery seat side split cable
7	X0C-48160-C0	• UPPER HOLDER ASSEMBLY 2	1	Swing-out type controller holder assembly
8	X0C-46295-00	•• BRACKET, ARM	1	
9	X0C-45721-00	•• NUT, LOCK	1	Lock nut for initial position adjusting
10	91317-06014	•• BOLT, HEX. SOCKET HEAD	1	Tightening torque: 6-8Nm
11	X0C-47337-00	•• SHAFT, PIVOT	1	
12	91317-06020	•• BOLT, HEX. SOCKET HEAD	3	Tightening torque: 6-8Nm
13	X0C-46266-00	•• ARM 1	1	
14	90201-12163	•• WASHER, PLAIN	1	
15	99009-12400	•• CIRCLIP (S)	1	
16	90501-077J3	•• SPRING, COMPRESSION	1	
17	X0C-46259-00	•• STOPPER 2	1	
18	X0C-46153-00	•• COLLAR, GUIDE	1	
19	91317-03025	•• BOLT, HEX. SOCKET HEAD	1	Tightening torque: 1.2-1.6Nm
20	X0C-46231-00	•• CAP	1	
21	X0C-46239-00	•• STOPPER	1	
22	XA2-2612E-00	•• BRACKET	2	For 22mm dia. frame pipe, 'hole' type
23	XA2-2612K-00	•• BRACKET 2	2	For 22mm dia. frame pipe, 'thread' type
24	XA2-26158-00	•• PLATE 1, SIDE	4	Spacer plate for 19mm dia. frame pipe
25	92902-06200	•• WASHER, SPRING	2	
26	91312-06035	•• BOLT, HEX. SOCKET HEAD	2	Tightening torque: 14-16Nm
27	X0C-46336-00	•• PLATE 1	1	

FIG. 7 Remote control unit for assistant (Optional)

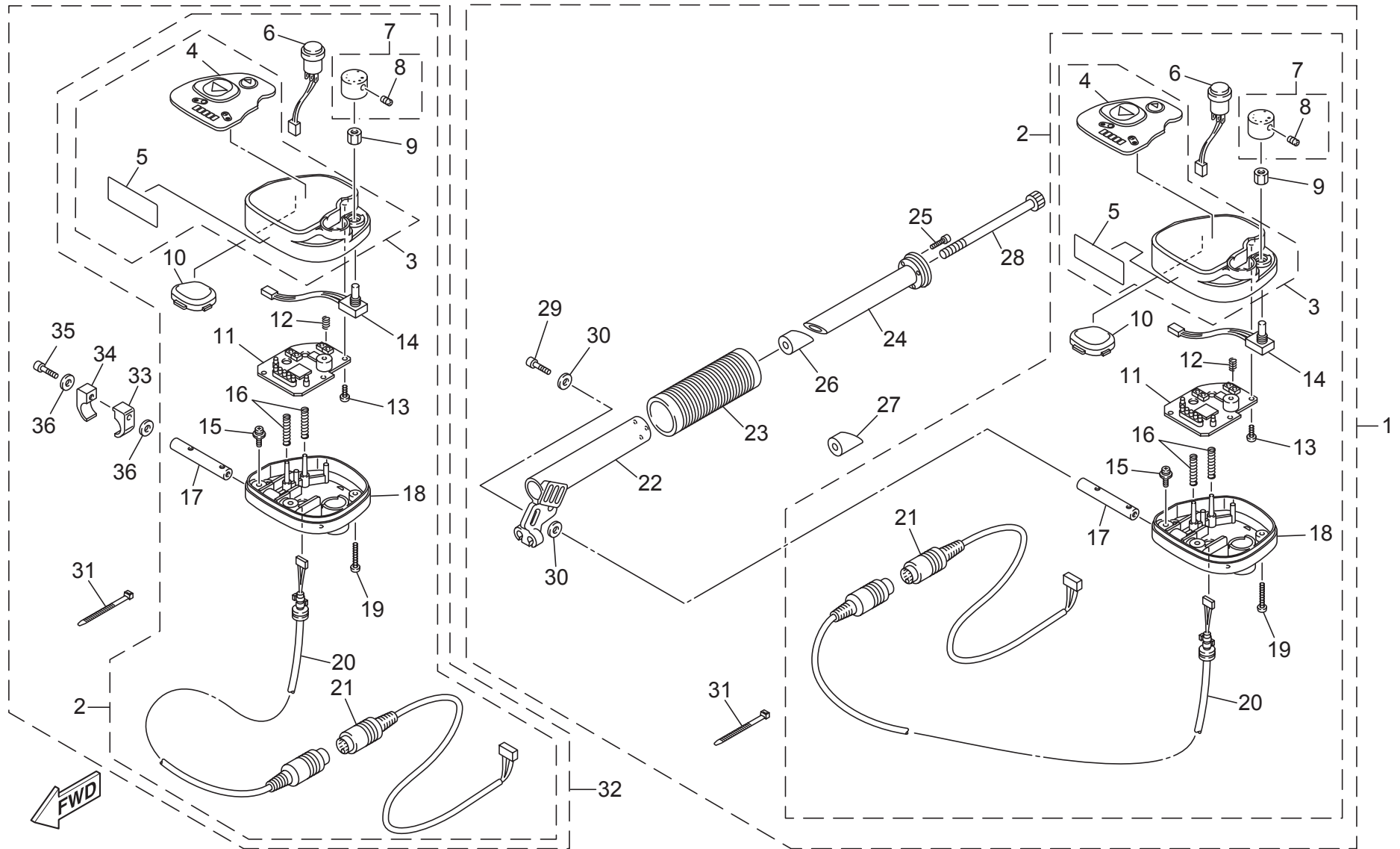


FIG. 7 Remote control unit for assistant (Optional)

No.	Part Number	Part Name	Qty.	Detail
1	X0F-48202-A0	R2R		Assistant controller assembly with grip
2	X0F-48120-A0	• REMOTE CONTROLLER ASSEMBLY	1	Assistant controller assembly, cable 2 (No.21) length: 400mm
3	X0F-8397A-A0	•• UPPER CASE ASSEMBLY 1, SWITCH	1	With labels
4	X0C-82377-00	••• LABEL	1	Indicator panel cover
5	X0C-2118K-A2	••• LABEL, CAUTION	1	Caution label
6	X0C-8596A-00	•• POWER SWITCH ASSEMBLY	1	
7	X0C-8276E-00	•• KNOB COMPLETE 1	1	
8	X0C-48127-00	••• SCREW 1	1	To secure knob (No. 7), tightening torque: 0.3-0.4Nm
9	X0C-8333G-00	•• NUT, SPECIAL	1	
10	X0C-87281-A0	•• CAP, SWITCH	1	
11	X0C-85921-0A	•• PRINT BOARD ASSEMBLY 2	1	
12	X0C-48561-00	•• SPRING 1	1	For backward switch
13	97707-30508	•• SCREW	3	To secure print board assembly 2 (No.11), tightening torque: 0.4-0.6Nm
14	X0C-85680-00	•• SPEED LIMITTER ASSEMBLY	1	Tightening torque to assemble to special nut (No. 9): 0.8-1.2Nm
15	97602-04208	•• SCREW, WITH WASHER	2	Tightening torque: 1.5-2.0Nm
16	X0C-8396M-01	•• SPRING, BUTTON	2	
17	X0C-4633E-00	•• BAR 1	1	
18	X0F-8353H-00	•• CASE, UNDER	1	
19	97707-30514	•• SCREW, PAN HEAD TAPPING	3	To secure under case (No.18), tightening torque:0.6-0.8Nm
20	X0C-88146-00	•• CABLE	1	Controller side detachable cable
21	X0C-88147-00	•• CABLE 2	1	Battery seat side detachable standard cable, length: 400mm
	X0C-88147-A0			Battery seat side detachable optional cable, length: 600mm
22	XA2-82911-01	• HOLDER 1, LEVER	1	
23	XA7-26241-00	• GRIP 1	1	
24	XA2-26246-01	• END, GRIP	1	
25	91317-03010	• BOLT, HEXAGON SOCKET HEAD	3	To secure grip end (No.24), tightening torque: 1.0-1.5Nm
26	XA2-26258-02	• NUT, LOCK	1	For over 18mm inner diameter frame pipe
27	XA2-26258-10	• NUT, LOCK	1	For 16-18 inner diameter frame pipe
28	91317-06100	• BOLT, HEXAGON SOCKET HEAD	1	To secure lever holder (No.22), tightening torque: 11-13Nm
29	91317-06020	•• BOLT, HEXAGON SOCKET HEAD	1	Tightening torque: 12-16Nm
30	92907-06200	•• WASHER, SPRING	2	
31	90465-10098	•• CLAMP	3	
32	X0F-48202-B1	R2R	1	Assistant controller assembly without grip
33	XA2-2612E-00	• BRACKET	1	
34	X0D-2612K-00	• BRACKET 2	1	
35	91312-06050	• BOLT, HEXAGON SOCKET HEAD	1	Tightening torque: 12-16Nm
36	92902-06200	• WASHER, SPRING	2	

FIG. 8 16inch wheel right drive unit (Fixed battery seat type)

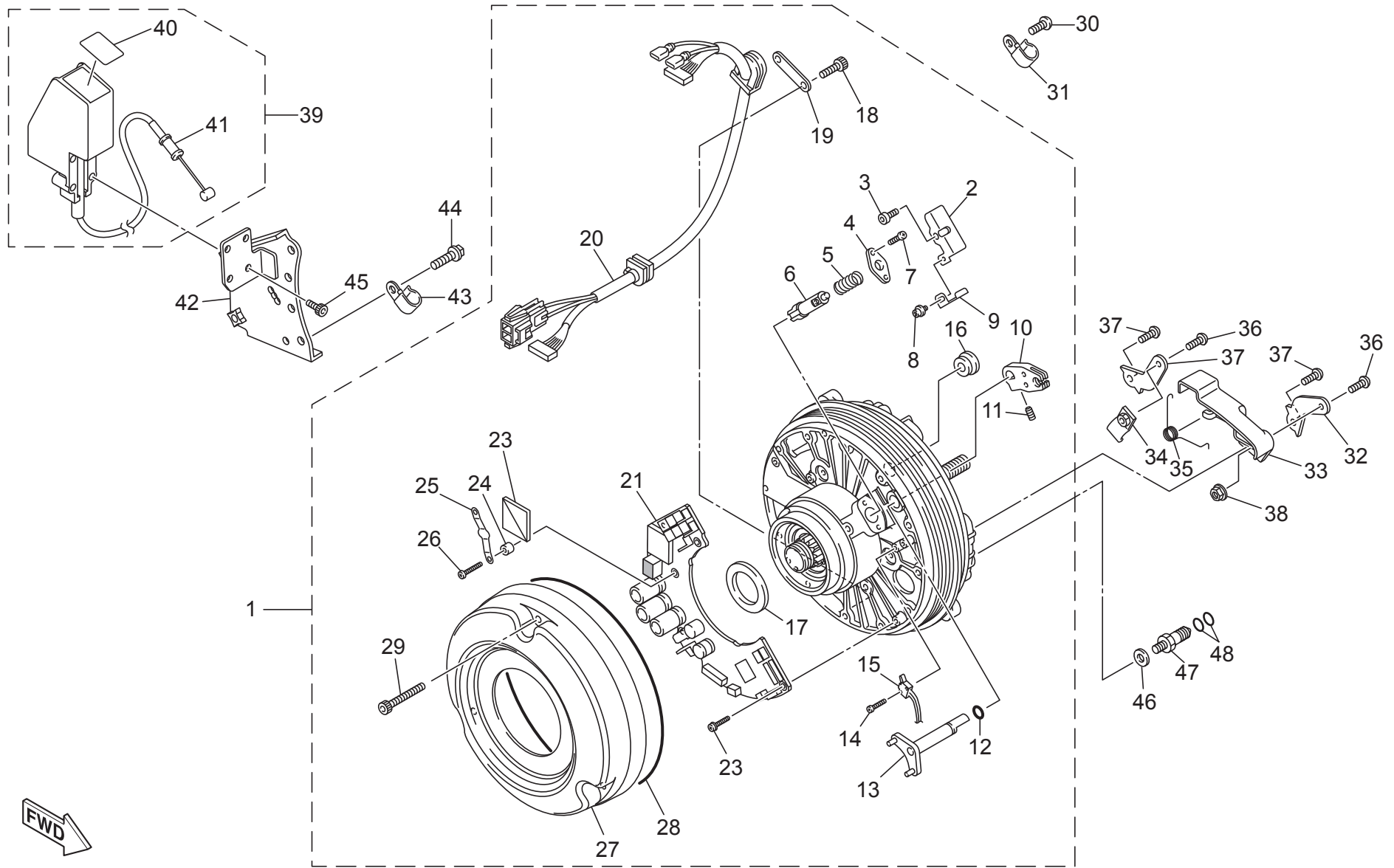


FIG. 8 16inch wheel right drive unit (Fixed battery seat type)

No.	Part Number	Part Name	Qty.	Detail
1	X0F-463A4-A0	DRIVE UNIT BASE, R1	1	For 16inch model, fixed type battery seat models
2	X0C-45693-00	• PLATE 1, SHIFT	1	Clutch shift plate
3	90110-04001	• BOLT HEXAGON SOCKET	1	Tightening torque: 3.0-4.5Nm
4	X0C-45723-00	• PLATE, SEAL	1	
5	X0C-16333-00	• SPRING 1, CLUTCH	1	
6	X0C-45637-00	• PIN, STOPPER	1	
7	98502-03014	• SCREW, PAN HEAD	2	Tightening torque: 3.0-4.5Nm
8	97602-03206	• SCREW, PAN HEAD WITH WASHER	1	Tightening torque: 3.0-4.5Nm
9	X0C-48177-01	• PLATE, ADJUSTING	1	
10	X0C-26347-00	• JOINT, WIRE	1	
11	90152-05J08	• SET SCREW	1	Tightening torque: 3.0-4.5Nm
12	93210-04122	• O-RING	1	
13	X0C-45814-00	• SHAFT 1, CLUTCH	1	
14	90166-02J210	• SCREW, PAN HEAD	2	Tightening torque: 3.0-4.5Nm
15	X0C-8259E-00	• SWITCH ASSEMBLY	1	
16	X0C-17481-00	• PLUG 1, BLIND	1	
17	X0C-2511B-00	• SEAL, OIL	1	Urethane flat O-ring
18	91317-03008	• BOLT, SOCKET HEAD	2	To secure Wire guide 1 (No.19) Tightening torque: 3.0-4.5Nm
19	X0C-83599-00	• GUIDE, WIRE	1	
20	X0C-86526-01	• WIRE 6	1	Wire length: 470mm, for fixed type battery seat models
21	X0F-86501-A0	• MOTOR CONTROL UNIT C	1	Drive unit circuit board assembly for 16inch model
22	97607-03210	• SCREW, PAN HEAD WITH WASHER	3	To secure circuit board (No.21) Tightening torque 0.4-0.6Nm
23	X0C-86515-00	• PLATE, HEAT SINK	1	Aluminum heat release plate
24	X0C-87294-00	• SPACER 1	2	White pipe
25	X0C-8A970-00	• SPRING	1	Spring plate
26	98502-03014	• SCREW, PAN HEAD	2	To secure spring (No.25) Tightening torque 0.4-0.6Nm
27	X0C-46313-00	• COVER, TRANSMISSION	1	Plastic black cover
28	X0C-46136-00	• SEAL 1	1	Rubber O-ring
29	98902-04025	• SCREW, BINDING HEAD	3	To secure cover (No.27) Tightening torque 1.5-2.5Nm
30	92012-06010	BOLT, BUTTON HEAD	1	To secure Clamp (No.31) Tightening torque 3.0-4.5Nm
31	90462-06008	CLAMP	1	To secure the wire (No.20)
32	X0C-2637G-00	HOLDER 1, WIRE	2	
33	X0D-2637A-00	COVER 2, LEVER	1	

FIG. 8 16inch wheel right drive unit (Fixed battery seat type)

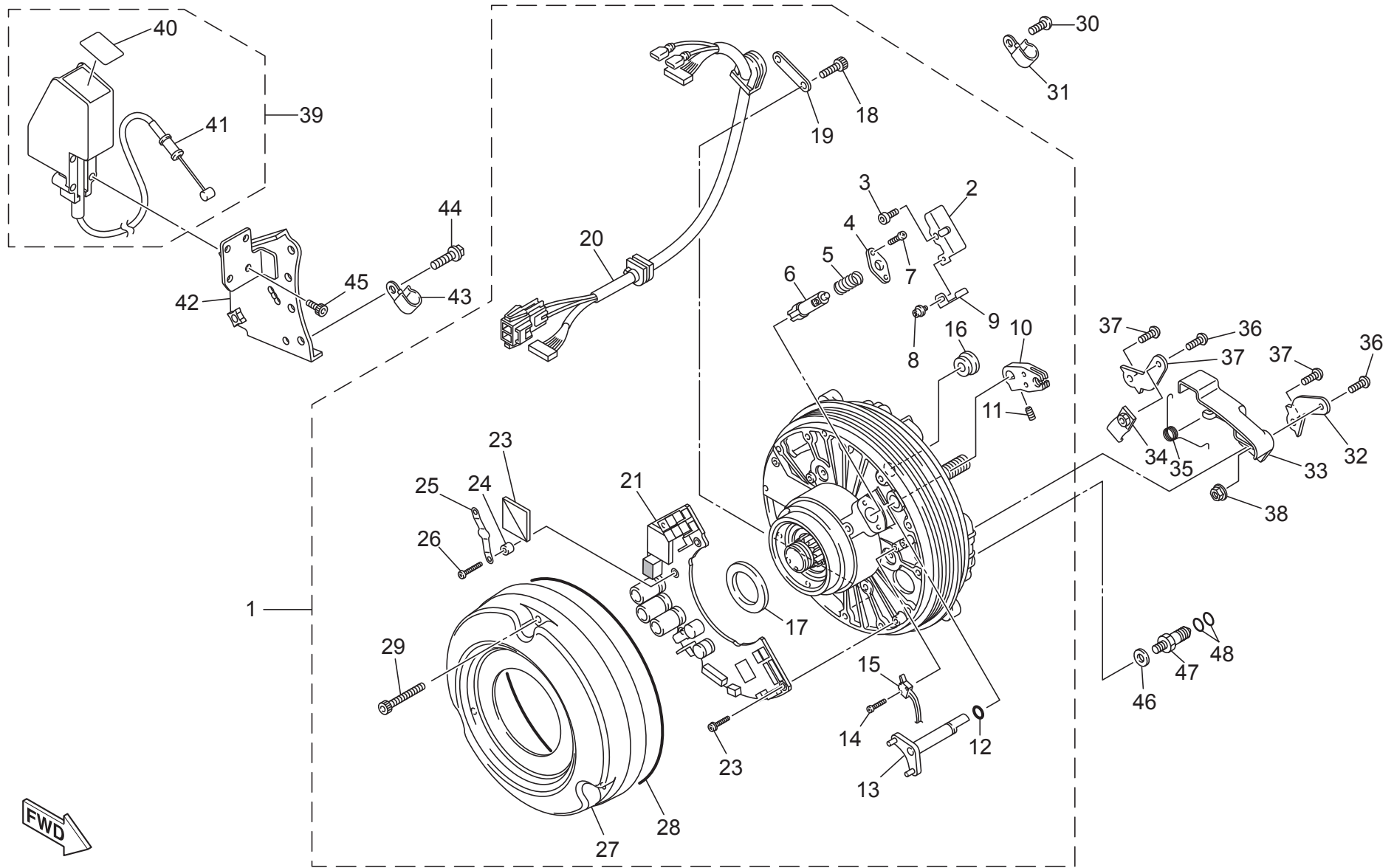


FIG. 8 16inch wheel right drive unit (Fixed battery seat type)

No.	Part Number	Part Name	Qty.	Detail
34	X0C-2637H-00	HOLDER 2, WIRE	1	
35	X0D-16334-00	SPRING 2, CLUTCH	1	
36	91317-05010	BOLT, HEXAGON SOCKET HEAD	2	To secure Cover 2 (No.33), Holder 2 (No.34) Tightening torque: 3.5-4.5Nm
37	92017-06012	BOLT, BUTTON HEAD	2	To secure Holder 1 (No.32) Tightening torque: 6-8Nm
38	95302-05700	NUT, HEXAGON	1	
39	X0D-25360-A0	CLUTCH ASSEMBLY 1	1	
40	X0D-28446-A0	• LABEL 1	1	"MANUAL/POWER" label
41	X0D-26335-00	• WIRE, CLUTCH	1	Wire, single part
42	X0D-43615-00	PLATE 2, TILT LOCK	1	
43	90462-06008	CLAMP	1	
44	95817-06016	BOLT, FLANGE	1	To secure Tilt lock plate (No.42) tightening torque 9-11Nm Excluding same 3 bolts to secure battery seat assembly, see FIG. 13
45	97707-40616	SCREW, PAN HEAD TAPPING	4	To secure clutch assembly (No.39)
46	90201-06032	WASHER,PLAIN	1	
47	X0C-46432-A0	STOPPER	1	Reaction force stopper Tightening torque: 9-11Nm
48	93210-08006	O-RING	2	

FIG. 9 16inch wheel right drive unit (Separated battery seat type)

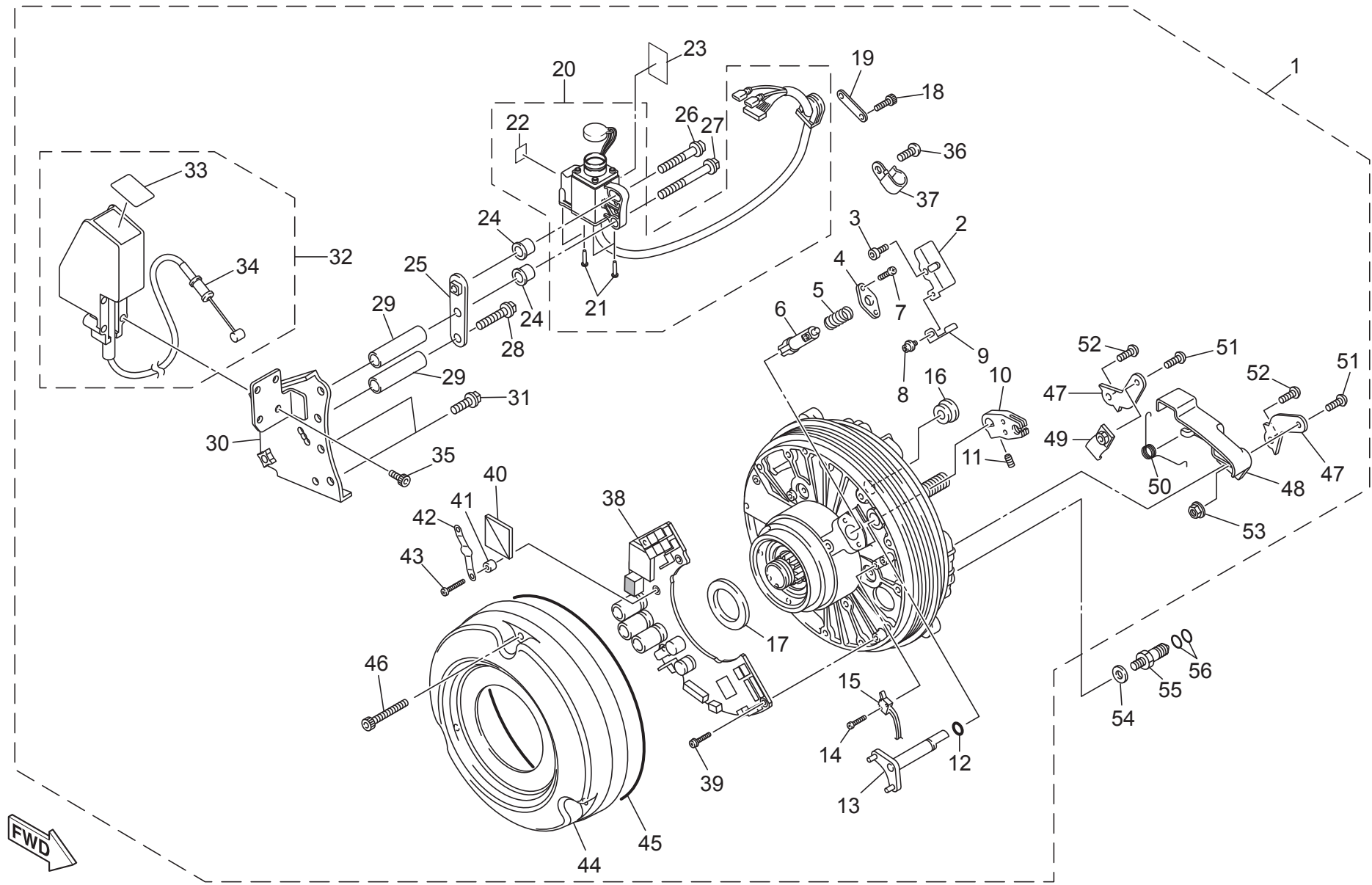


FIG. 9 16inch wheel right drive unit (Separated battery seat type)

No.	Part Number	Part Name	Qty.	Detail
1	X0F-463A4-B0	DRIVE UNIT BASE, R1	1	For 16inch, separated type battery seat models
2	X0C-45693-00	• PLATE 1, SHIFT	1	Clutch shift plate
3	90110-04001	• BOLT, HEXAGON SOCKET	1	Tightening torque: 3.0-4.5Nm
4	X0C-45723-00	• PLATE, SEAL	1	
5	X0C-16333-00	• SPRING 1, CLUTCH	1	
6	X0C-45637-00	• PIN, STOPPER	1	
7	98502-03014	• SCREW, PAN HEAD	2	Tightening torque: 3.0-4.5Nm
8	97602-03206	• SCREW, PAN HEAD WITH WASHER	1	Tightening torque: 3.0-4.5Nm
9	X0C-48177-01	• PLATE, ADJUSTING	1	
10	X0C-26347-00	• JOINT, WIRE	1	
11	90152-05J08	• SET SCREW	1	Tightening torque: 3.0-4.5Nm
12	93210-04122	• O-RING	1	
13	X0C-45814-00	• SHAFT 1, CLUTCH	1	
14	90166-02J210	• SCREW, PAN HEAD	2	Tightening torque: 3.0-4.5Nm
15	X0C-8259E-00	• SWITCH ASSEMBLY	1	
16	X0C-17481-00	• PLUG 1, BLIND	1	
17	X0C-2511B-00	• SEAL, OIL	1	Urethane flat O-ring
18	91317-03008	• BOLT, SOCKET HEAD	2	To secure Wire guide 1 (No.19) Tightening torque: 3.0-4.5Nm
19	X0C-83599-00	• GUIDE, WIRE	1	
20	X0F-87239-00	• RECEPTACLE COMPLETE 2	1	
21	97707-30514	•• SCREW, PAN HEAD TAPPING	4	Tightening torque: 0.6-0.8Nm
22	X0E-8A8R2-00	•• LABEL 2	1	
23	X0E-81994-A0	• LABEL, SAFETY	1	
24	90387-062M3	• COLLAR	2	
25	X0F-87249-00	• PLATE	1	
26	95817-06020	• BOLT, FLANGE	1	Tightening torque: 9-11Nm
27	95817-06055	• BOLT, FLANGE	1	Tightening torque: 9-11Nm
28	95817-06040	• BOLT, FLANGE	1	Tightening torque: 9-11Nm
29	90387-06513	• COLLAR	2	
30	X0D-43615-00	• PLATE 2, TILT LOCK	1	
31	95817-06016	• BOLT,FLG.	2	To secure Tilt lock plate (No.30) tightening torque 9-11Nm
32	X0D-25360-A0	• CLUTCH ASSEMBLY 1	1	
33	X0D-28446-A0	•• LABEL 1	1	

FIG. 9 16inch wheel right drive unit (Separated battery seat type)

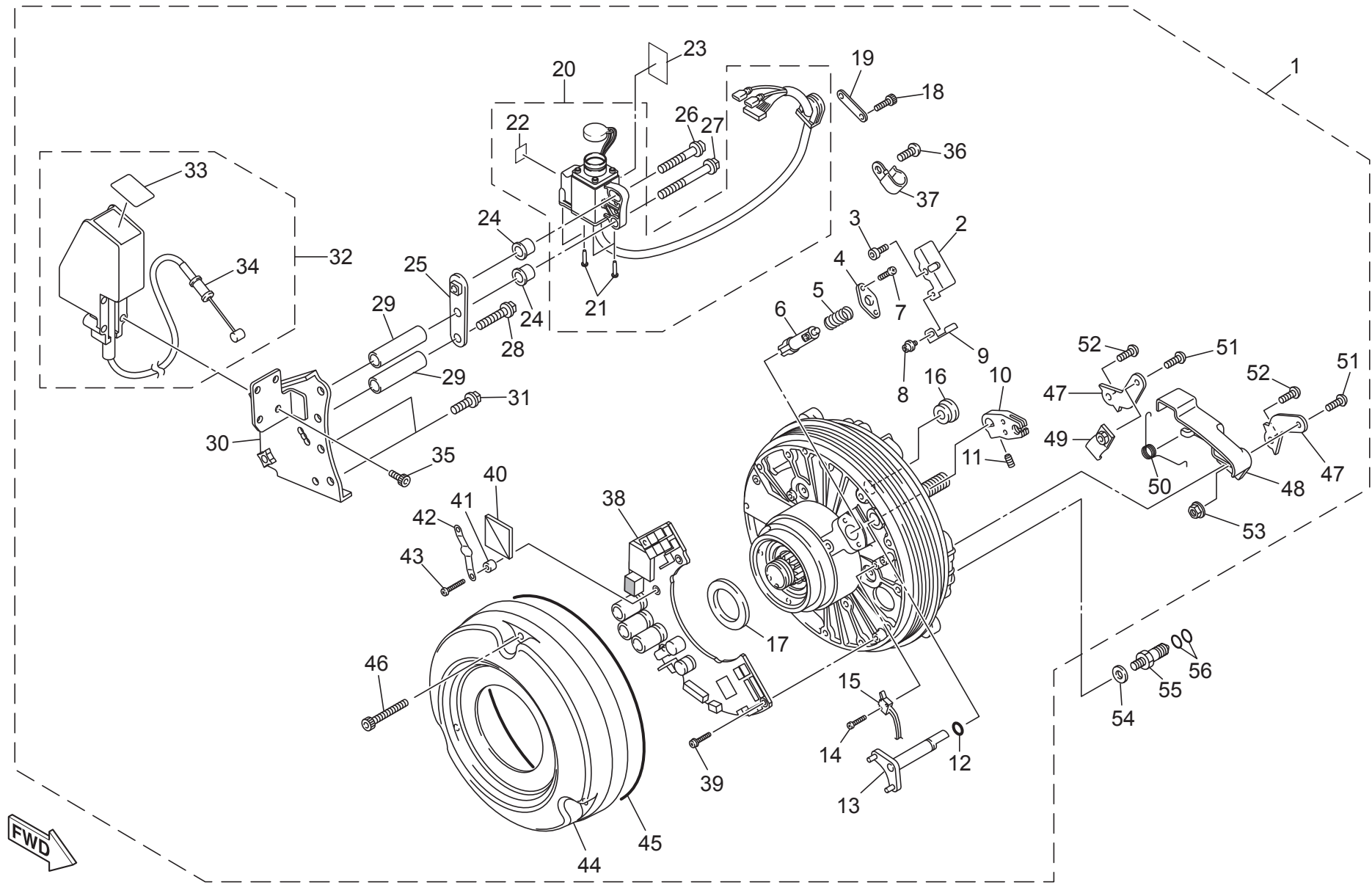


FIG. 9 16inch wheel right drive unit (Separated battery seat type)

No.	Part Number	Part Name	Qty.	Detail
34	X0D-26335-00	•• WIRE CLUTCH	1	Wire, single part
35	97707-40616	• SCREW, PAN HEAD TAPPING	4	To secure clutch assembly (No.32)
36	92012-06010	• BOLT, BUTTON HEAD	1	To secure the Clamp (No. 23) Tightening torque: 3.0-4.5Nm
37	90462-06008	• CLAMP	1	
38	X0F-86501-A0	• MOTOR CONTROL UNIT C	1	Drive unit circuit board assembly for 16inch model
39	97607-03210	• SCREW, PAN HEAD WITH WASHER	3	To secure circuit board (No.23) Tightening torque: 0.4-0.6Nm
40	X0C-86515-00	• PLATE, HEAT SINK	1	Aluminum heat release plate
41	X0C-87294-00	• SPACER 1	2	White pipe
42	X0C-8A970-00	• SPRING	1	Spring plate
43	98502-03014	• SCREW, PAN HEAD	2	To secure spring (No.26) Tightening torque: 0.4-0.6Nm
44	X0C-46313-00	• COVER, TRANSMISSION	1	Plastic black cover
45	X0C-46136-00	• SEAL 1	1	Rubber O-ring
46	98902-04025	• SCREW, BINDING HEAD	3	To secure cover (No.29) Tightening torque: 1.5-2.5Nm
47	X0C-2637G-00	• HOLDER 1, WIRE	2	
48	X0D-2637A-00	• COVER 2, LEVER	1	
49	X0C-2637H-00	• HOLDER 2, WIRE	1	
50	X0D-16334-00	• SPRING 2, CLUTCH	1	
51	91317-05010	• BOLT, HEXAGON SOCKET HEAD	2	To secure Cover 2 (No.33), Holder 2 (No.34) Tightening torque: 3.5-4.5Nm
52	92017-06012	• BOLT,BUTTON HEAD	2	To secure Holder 1 (No.32) Tightening torque: 6-8Nm
53	95302-05700	• NUT HEXAGON	1	
54	90201-06032	WASHER,PLAIN	1	
55	X0C-46432-A0	STOPPER	1	Reaction force stopper Tightening torque: 9-11Nm
56	93210-08006	O-RING	2	

FIG. 10 24inch wheel right drive unit (Fixed battery seat type)

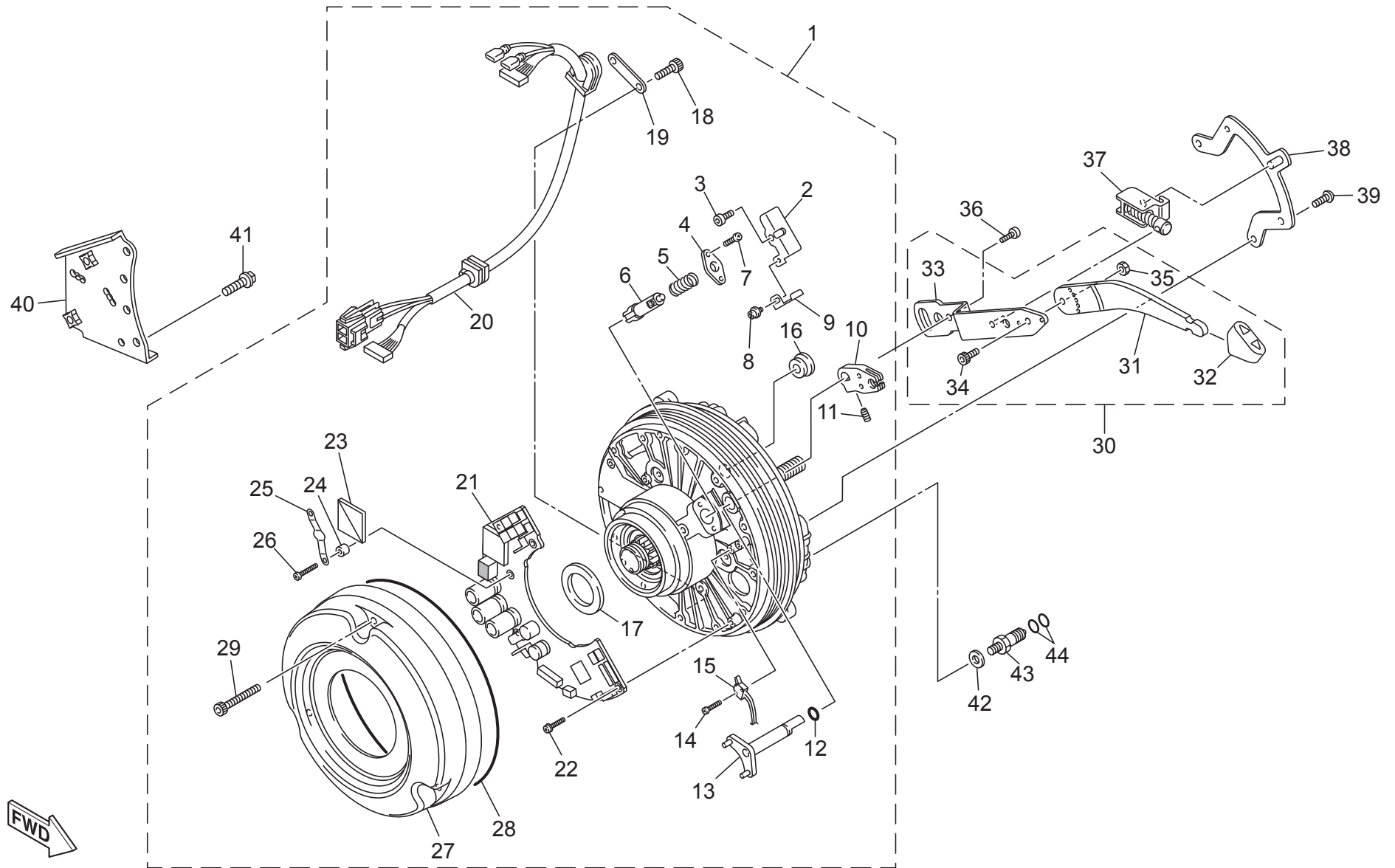


FIG. 10 24inch wheel right drive unit (Fixed battery seat type)

No.	Part Number	Part Name	Qty.	Detail
1	X0F-463A4-C0	DRIVE UNIT BASE, R1	1	For 24inch model, fixed type battery seat models
2	X0C-45693-00	• PLATE 1, SHIFT	1	Clutch shift plate
3	90110-04001	• BOLT, HEXAGON SOCKET	1	Tightening torque: 3.0-4.5Nm
4	X0C-45723-00	• PLATE, SEAL	1	
5	X0C-16333-00	• SPRING 1, CLUTCH	1	
6	X0C-45637-00	• PIN, STOPPER	1	
7	98502-03014	• SCREW, PAN HEAD	2	Tightening torque: 3.0-4.5Nm
8	97602-03206	• SCREW, PAN HEAD WITH WASHER	1	Tightening torque: 3.0-4.5Nm
9	X0C-48177-01	• PLATE, ADJUSTING	1	
10	X0C-26347-00	• JOINT, WIRE	1	
11	90152-05J08	• SCREW, SET	1	Tightening torque: 3.0-4.5Nm
12	93210-04122	• O-RING	1	
13	X0C-45814-00	• SHAFT 1, CLUTCH	1	
14	90166-02J210	• SCREW, PAN HEAD	2	Tightening torque: 3.0-4.5Nm
15	X0C-8259E-00	• SWITCH ASSEMBLY	1	
16	X0C-17481-00	• PLUG 1, BLIND	1	
17	X0C-2511B-00	• SEAL, OIL	1	Urethane flat O-ring
18	91317-03008	• BOLT, SOCKET HEAD	2	To secure Wire guide 1 (No.19) Tightening torque: 3.0-4.5Nm
19	X0C-83599-00	• GUIDE, WIRE	1	
20	X0C-86526-01	• WIRE 6	1	Wire length: 470mm, for fixed type battery seat models
21	X0F-86501-B0	• MOTOR CONTROL UNIT C	1	Drive unit circuit board assembly for 24inch model
22	97607-03210	• SCREW, PAN HEAD WITH WASHER	3	To secure circuit board (No.23) Tightening torque: 0.4-0.6Nm
23	X0C-86515-00	• PLATE, HEAT SINK	1	Aluminum heat release plate
24	X0C-87294-00	• SPACER 1	2	White pipe
25	X0C-8A970-00	• SPRING	1	Spring plate
26	98502-03014	• SCREW, PAN HEAD	2	To secure spring (No.26) Tightening torque: 0.4-0.6Nm
27	X0C-46313-00	• COVER, TRANSMISSION	1	Plastic black cover
28	X0C-46136-00	• SEAL 1	1	Rubber O-ring
29	98902-04025	• SCREW, BINDING HEAD	3	To secure cover (No.29) Tightening torque: 1.5-2.5Nm
30	X0C-18120-62	SHIFT LEVER ASSEMBLY	1	
31	X0C-46382-00	• LEVER 1, SHIFT	1	
32	X0F-46381-00	• KNOB, SHIFT	1	Yellow knob
33	X0C-46383-00	• LEVER 2, SHIFT	1	

FIG. 10 24inch wheel right drive unit (Fixed battery seat type)

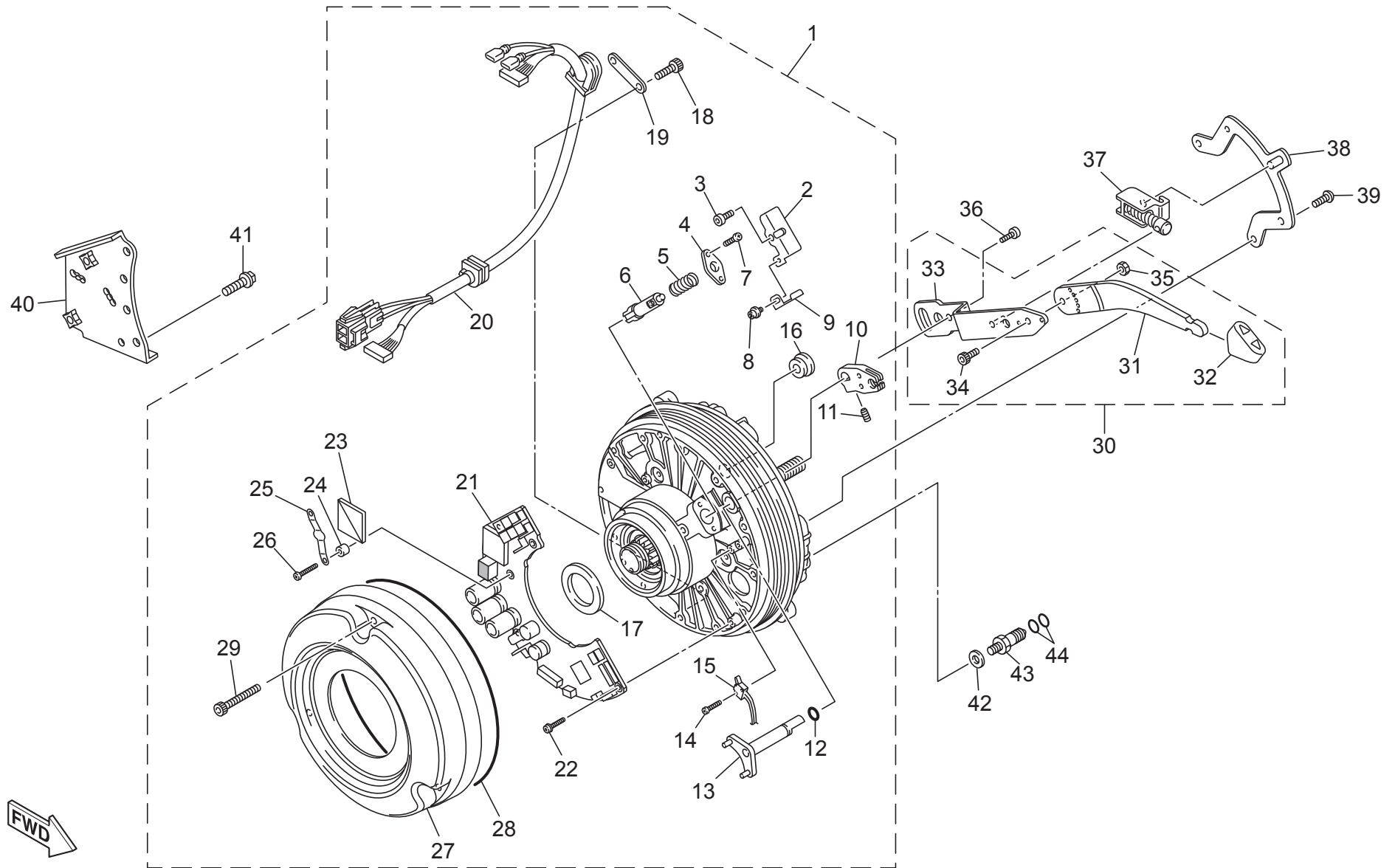


FIG. 10 24inch wheel right drive unit (Fixed battery seat type)

No.	Part Number	Part Name	Qty.	Detail
34	91317-06016	• BOLT, HEXAGON SOCKET HEAD	1	Tightening torque: 10-12Nm
35	95602-06100	• NUT, SELF LOCKING	1	Tightening torque: 6-8Nm
36	91317-05012	BOLT, HEXAGON SOCKET HEAD	1	Tightening torque: 6-8Nm
37	X0C-W2331-01	LINK, CLUTCH	1	
38	X0C-45694-00	PLATE 2, SHIFT	1	
39	92017-06012	BOLT, BUTTON HEAD	2	Tightening torque: 6-8Nm
40	X0C-43615-01	PLATE 2, TILT LOCK		
41	95817-06016	BOLT, FLANGE	1	Tightening torque: 9-11Nm
42	90201-06032	WASHER,PLAIN	1	
43	X0C-46432-A0	STOPPER	1	Reaction force stopper Tightening torque: 9-11Nm
44	93210-08006	O-RING	2	

FIG. 11 24inch wheel right drive unit (Separated battery seat type)

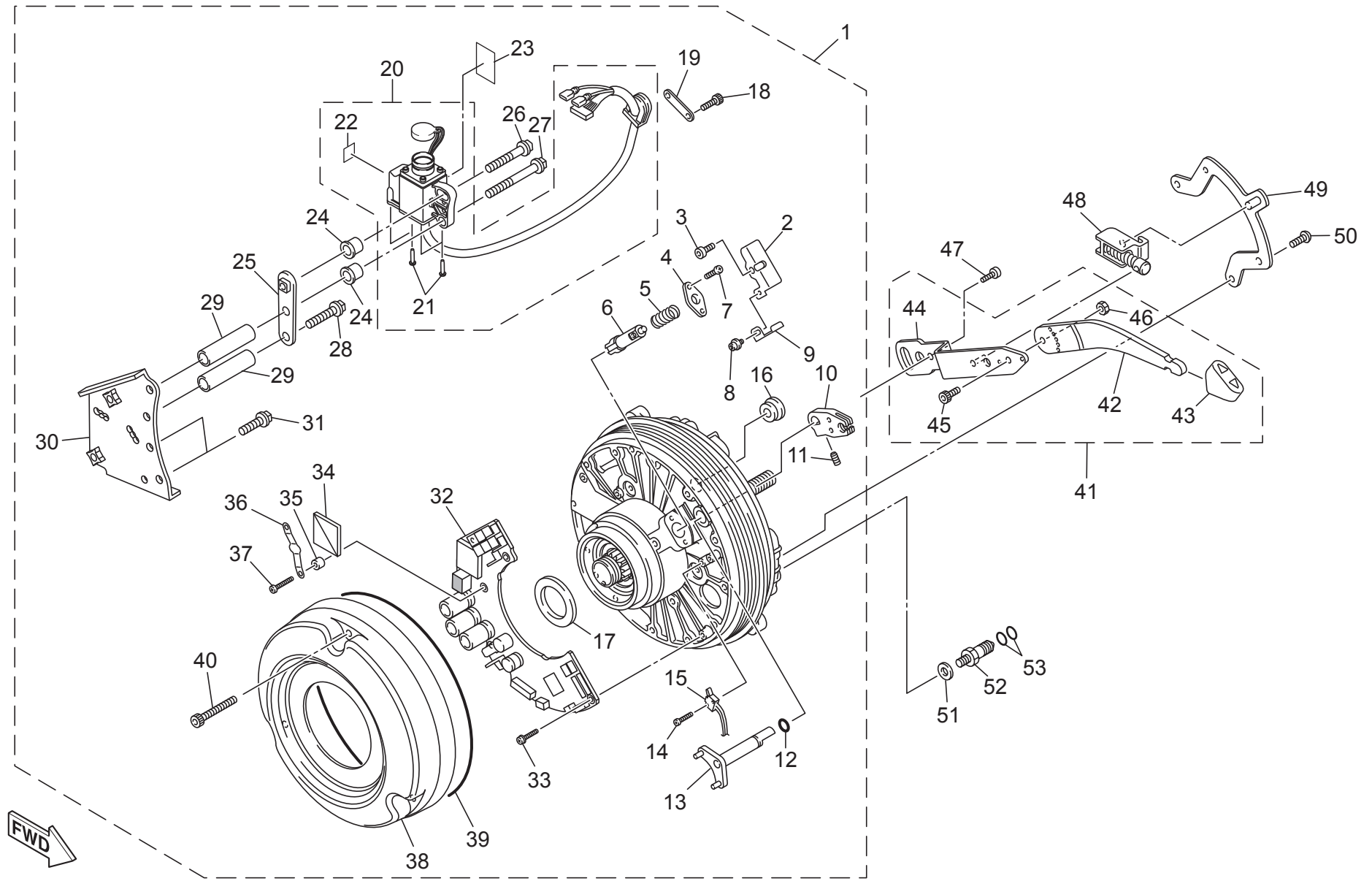


FIG. 11 24inch wheel right drive unit (Separated battery seat type)

No.	Part Number	Part Name	Qty.	Detail
1	X0F-463A4-D0	DRIVE UNIT BASE, R1	1	For 24inch model, separated type battery seat models
2	X0C-45693-00	• PLATE 1, SHIFT	1	Clutch shift plate
3	90110-04001	• BOLT, HEXAGON SOCKET	1	Tightening torque: 3.0-4.5Nm
4	X0C-45723-00	• PLATE, SEAL	1	
5	X0C-16333-00	• SPRING 1, CLUTCH	1	
6	X0C-45637-00	• PIN, STOPPER	1	
7	98502-03014	• SCREW, PAN HEAD	2	Tightening torque: 3.0-4.5Nm
8	97602-03206	• SCREW, PAN HEAD WITH WASHER	1	Tightening torque: 3.0-4.5Nm
9	X0C-48177-01	• PLATE, ADJUSTING	1	
10	X0C-26347-00	• JOINT, WIRE	1	
11	90152-05J08	• SET SCREW	1	Tightening torque: 3.0-4.5Nm
12	93210-04122	• O-RING	1	
13	X0C-45814-00	• SHAFT 1, CLUTCH	1	
14	90166-02J210	• SCREW, PAN HEAD	2	Tightening torque: 3.0-4.5Nm
15	X0C-8259E-00	• SWITCH ASSEMBLY	1	
16	X0C-17481-00	• PLUG 1, BLIND	1	
17	X0C-2511B-00	• SEAL, OIL	1	Urethane flat O-ring
18	91317-03008	• BOLT, SOCKET HEAD	2	To secure Wire guide 1 (No.19) Tightening torque: 3.0-4.5Nm
19	X0C-83599-00	• GUIDE, WIRE	1	
20	X0F-87239-00	• RECEPTACLE COMPLETE 2	1	
21	97707-30514	•• SCREW, PAN HEAD TAPPING	4	Tightening torque: 0.6-0.8Nm
22	X0E-8A8R2-00	•• LABEL 2	1	
23	X0E-81994-A0	• LABEL, SAFETY	1	
24	90387-062M3	• COLLAR	2	
25	X0F-87249-00	• PLATE	1	
26	95817-06020	• BOLT, FLANGE	1	Tightening torque: 9-11Nm
27	95817-06055	• BOLT, FLANGE	1	Tightening torque: 9-11Nm
28	95817-06040	• BOLT, FLANGE	1	Tightening torque: 9-11Nm
29	90387-06513	• COLLAR	2	
30	X0C-43615-01	• PLATE 2, TILT LOCK	1	
31	95817-06016	• BOLT,FLG.	2	To secure Tilt lock plate (No.30) tightening torque 9-11Nm
32	X0F-86501-B0	• MOTOR CONTROL UNIT C	1	Drive unit circuit board assembly for 24inch model
33	97607-03210	• SCREW, PAN HEAD WITH WASHER	3	To secure circuit board (No.23) Tightening torque: 0.4-0.6Nm

FIG. 11 24inch wheel right drive unit (Separated battery seat type)

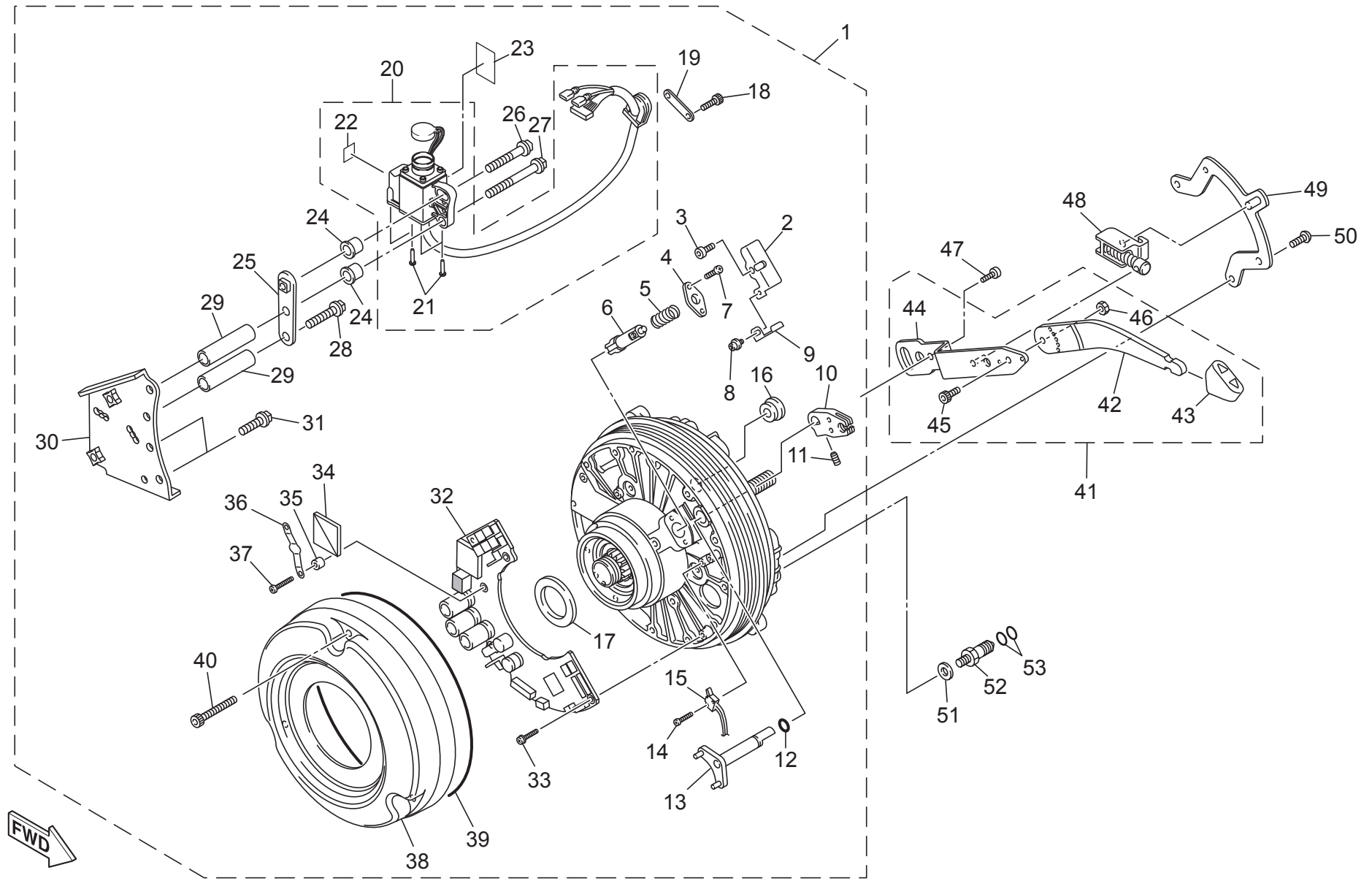


FIG. 11 24inch wheel right drive unit (Separated battery seat type)

No.	Part Number	Part Name	Qty.	Detail
34	X0C-86515-00	• PLATE, HEAT SINK	1	Aluminum heat release plate
35	X0C-87294-00	• SPACER 1	2	White pipe
36	X0C-8A970-00	• SPRING	1	Spring plate
37	98502-03014	• SCREW, PAN HEAD	2	To secure spring (No.26) Tightening torque: 0.4-0.6Nm
38	X0C-46313-00	• COVER, TRANSMISSION	1	Plastic black cover
39	X0C-46136-00	• SEAL 1	1	Rubber O-ring
40	98902-04025	• SCREW, BINDING HEAD	3	To secure cover (No.29) Tightening torque: 1.5-2.5Nm
41	X0C-18120-62	SHIFT LEVER ASSEMBLY	1	
42	X0C-46382-00	• LEVER 1, SHIFT	1	
43	X0F-46381-00	• KNOB, SHIFT	1	
44	X0C-46383-00	• LEVER 2, SHIFT	1	
45	91317-06016	• BOLT, HEXAGON SOCKET HEAD	1	Tightening torque: 10-12Nm
46	95602-06100	• NUT, SELF LOCKING	1	Tightening torque: 6-8Nm
47	91317-05012	BOLT, HEXAGON SOCKET HEAD	1	Tightening torque: 6-8Nm
48	X0C-W2331-01	LINK, CLUTCH	1	
49	X0C-45694-00	PLATE 2, SHIFT	1	
50	92017-06012	BOLT, BUTTON HEAD	2	Tightening torque: 6-8Nm
51	90201-06032	WASHER, PLAIN	1	
52	X0C-46432-A0	STOPPER	1	Reaction force stopper Tightening torque: 9-11Nm
53	93210-08006	O-RING	2	

FIG. 12 16inch wheel left drive unit

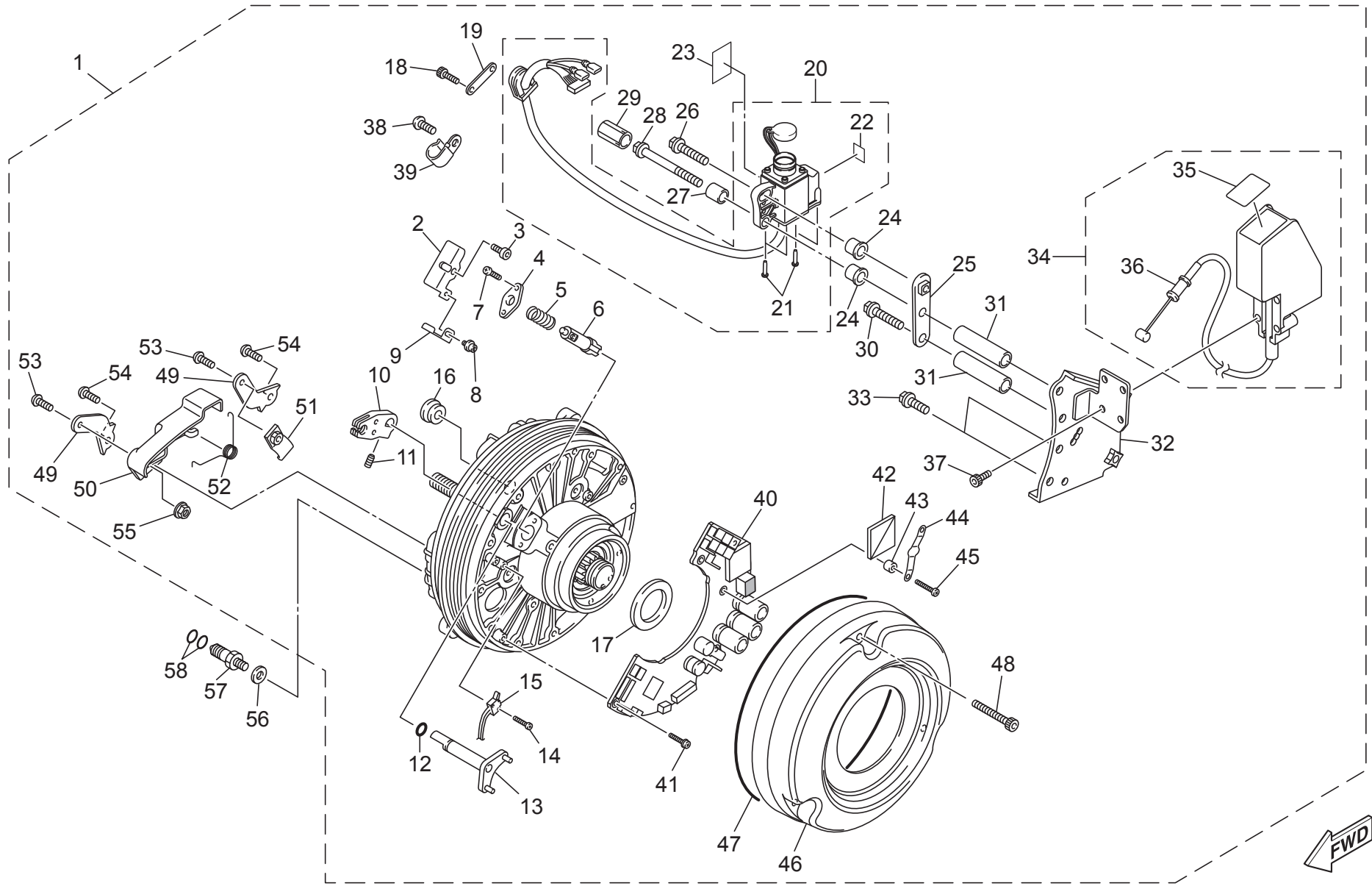


FIG. 12 16inch wheel left drive unit

No.	Part Number	Part Name	Qty.	Detail
1	X0F-463A3-A0	DRIVE UNIT BASE, L1	1	For 16inch model
2	X0C-45693-00	• PLATE 1, SHIFT	1	Clutch shift plate
3	90110-04001	• BOLT, HEXAGON SOCKET	1	Tightening torque: 3.0-4.5Nm
4	X0C-45723-00	• PLATE, SEAL	1	
5	X0C-16333-00	• SPRING 1, CLUTCH	1	
6	X0C-45637-00	• PIN, STOPPER	1	
7	98502-03014	• SCREW, PAN HEAD	2	Tightening torque: 3.0-4.5Nm
8	97602-03206	• SCREW, PAN HEAD WITH WASHER	1	Tightening torque: 3.0-4.5Nm
9	X0C-48177-01	• PLATE, ADJUSTING	1	
10	X0C-26347-00	• JOINT, WIRE	1	
11	90152-05J08	• SET SCREW	1	Tightening torque: 3.0-4.5Nm
12	93210-04122	• O-RING	1	
13	X0C-45814-00	• SHAFT 1, CLUTCH	1	
14	90166-02J210	• SCREW, PAN HEAD	2	Tightening torque: 3.0-4.5Nm
15	X0C-8259E-00	• SWITCH ASSEMBLY	1	
16	X0C-17481-00	• PLUG 1, BLIND	1	
17	X0C-2511B-00	• SEAL, OIL	1	Urethane flat O-ring
18	91317-03008	• BOLT, SOCKET HEAD	2	To secure Wire guide 1 (No.19) Tightening torque: 3.0-4.5Nm
19	X0C-83599-00	• GUIDE, WIRE	1	
20	X0F-87214-00	• RECEPTACLE COMPLETE	1	
21	97707-30514	•• SCREW, PAN HEAD TAPPING	4	Tightening torque: 0.6-0.8Nm
22	X0E-8A8R1-00	•• LABEL 1	1	
23	X0E-81994-A0	• LABEL, SAFETY	1	
24	90387-062M3	• COLLAR	2	
25	X0F-87249-00	• PLATE	1	
26	95817-06020	• BOLT, FLANGE	1	Tightening torque: 9-11Nm
27	90387-06081	• COLLAR	1	
28	95817-06065	• BOLT, FLANGE	1	Tightening torque: 9-11Nm
29	90338-12004	• PLUG		
30	95817-06040	• BOLT, FLANGE	1	Tightening torque: 9-11Nm
31	90387-06513	• COLLAR	2	
32	X0D-43614-00	• PLATE 2, TILT LOCK	1	
33	95817-06016	• BOLT,FLG.	2	To secure Tilt lock plate (No.30) tightening torque 9-11Nm

FIG. 12 16inch wheel left drive unit

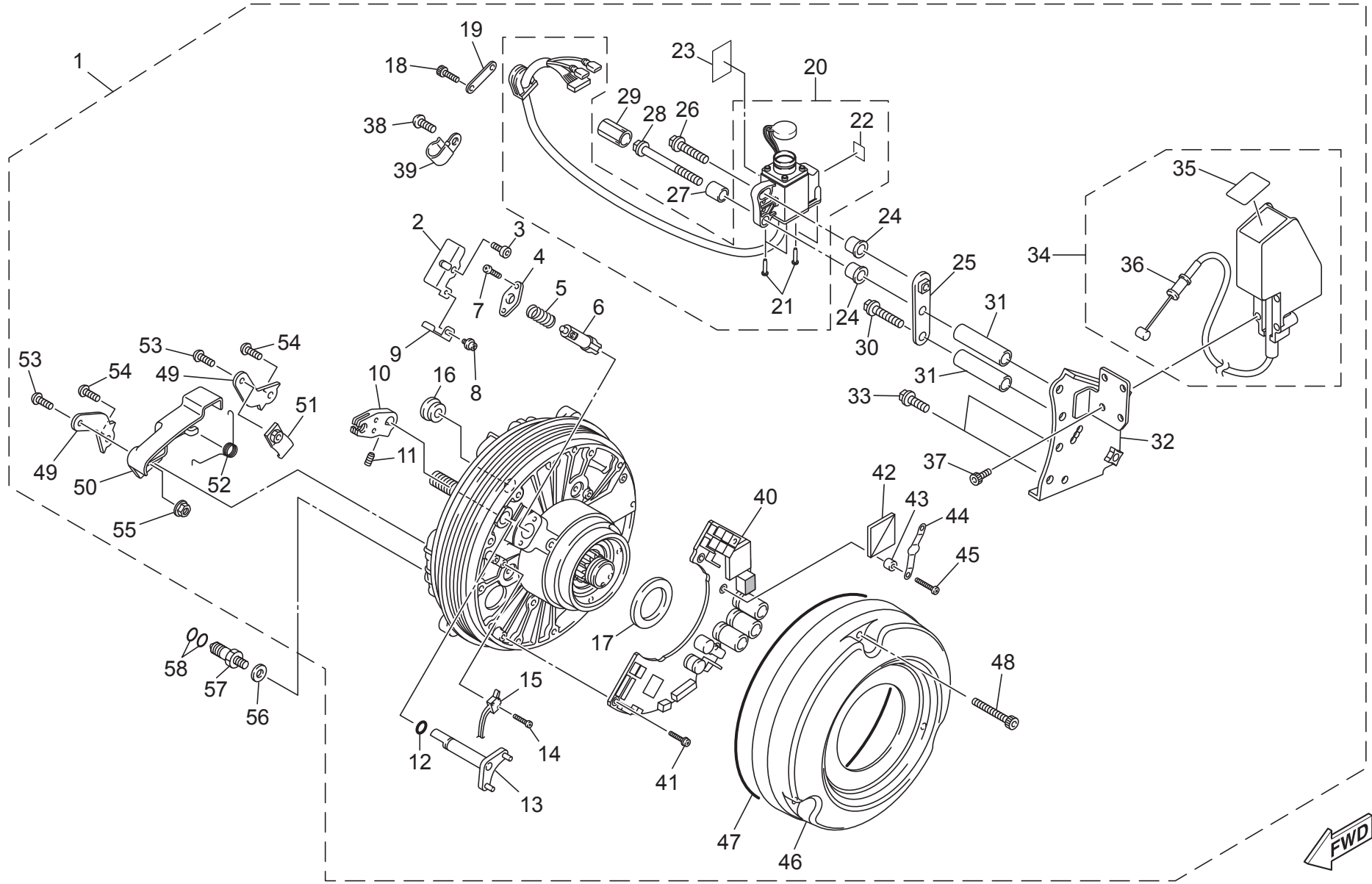


FIG. 12 16inch wheel left drive unit

No.	Part Number	Part Name	Qty.	Detail
34	X0D-25360-A0	• CLUTCH ASSEMBLY 1	1	
35	X0D-28446-A0	• • LABEL 1	1	"MANUAL/POWER" label
36	X0D-26335-00	• • WIRE CLUTCH	1	Wire, single part
37	97707-40616	• SCREW, PAN HEAD TAPPING	4	To secure clutch assembly (No.32)
38	92012-06010	• BOLT, BUTTON HEAD	1	To secure the Clamp (No. 23) Tightening torque: 3.0-4.5Nm
39	90462-06008	• CLAMP	1	
40	X0F-86501-A0	• MOTOR CONTROL UNIT C	1	Drive unit circuit board assembly for 16inch model
41	97607-03210	• SCREW, PAN HEAD WITH WASHER	3	To secure circuit board (No.23) Tightening torque: 0.4-0.6Nm
42	X0C-86515-00	• PLATE, HEAT SINK	1	Aluminum heat release plate
43	X0C-87294-00	• SPACER 1	2	White pipe
44	X0C-8A970-00	• SPRING	1	Spring plate
45	98502-03014	• SCREW, PAN HEAD	2	To secure spring (No.26) Tightening torque: 0.4-0.6Nm
46	X0C-46313-00	• COVER, TRANSMISSION	1	Plastic black cover
47	X0C-46136-00	• SEAL 1	1	Rubber O-ring
48	98902-04025	• SCREW, BINDING HEAD	3	To secure cover (No.29) Tightening torque: 1.5-2.5Nm
49	X0C-2637G-00	• HOLDER 1, WIRE	2	
50	X0D-26372-00	• COVER, LEVER	1	
51	X0C-2637H-00	• HOLDER 2, WIRE	1	
52	X0D-16333-00	• SPRING 1, CLUTCH	1	
53	91317-05010	• BOLT HEX.SOCKET HEAD	2	To secure Cover 2 (No.33), Holder 2 (No.34) Tightening torque: 3.5-4.5Nm
54	92017-06012	• BOLT,BUTTON HEAD	2	To secure Holder 1 (No.32) Tightening torque: 6-8Nm
55	95302-05700	• NUT HEXAGON	1	
56	90201-06032	WASHER,PLAIN	1	
57	X0C-46432-A0	STOPPER	1	Reaction force stopper Tightening torque: 9-11Nm
58	93210-08006	O-RING	2	

FIG. 13 24inch wheel left drive unit

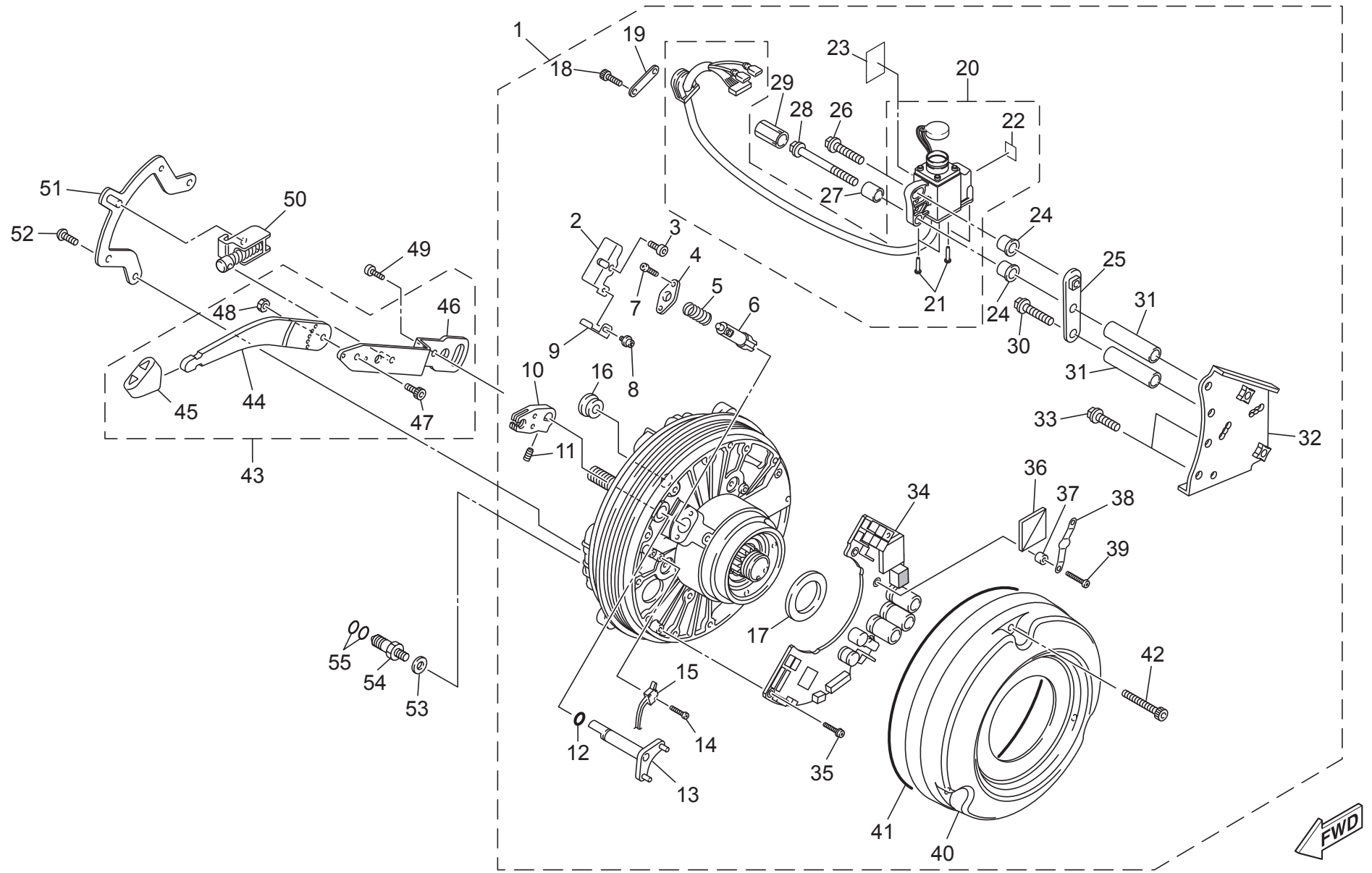


FIG. 13 24inch wheel left drive unit

No.	Part Number	Part Name	Qty.	Detail
1	X0F-463A3-B0	DRIVE UNIT BASE, L1	1	For 24inch model
2	X0C-45693-00	• PLATE 1, SHIFT	1	Clutch shift plate
3	90110-04001	• BOLT, HEXAGON SOCKET	1	Tightening torque: 3.0-4.5Nm
4	X0C-45723-00	• PLATE, SEAL	1	
5	X0C-16333-00	• SPRING 1, CLUTCH	1	
6	X0C-45637-00	• PIN, STOPPER	1	
7	98502-03014	• SCREW, PAN HEAD	2	Tightening torque: 3.0-4.5Nm
8	97602-03206	• SCREW, PAN HEAD WITH WASHER	1	Tightening torque: 3.0-4.5Nm
9	X0C-48177-01	• PLATE, ADJUSTING	1	
10	X0C-26347-00	• JOINT, WIRE	1	
11	90152-05J08	• SET SCREW	1	Tightening torque: 3.0-4.5Nm
12	93210-04122	• O-RING	1	
13	X0C-45814-00	• SHAFT 1, CLUTCH	1	
14	90166-02J210	• SCREW, PAN HEAD	2	Tightening torque: 3.0-4.5Nm
15	X0C-8259E-00	• SWITCH ASSEMBLY	1	
16	X0C-17481-00	• PLUG 1, BLIND	1	
17	X0C-2511B-00	• SEAL, OIL	1	Urethane flat O-ring
18	91317-03008	• BOLT, SOCKET HEAD	2	To secure Wire guide 1 (No.19) Tightening torque: 3.0-4.5Nm
19	X0C-83599-00	• GUIDE, WIRE	1	
20	X0F-87214-00	• RECEPTACLE COMPLETE	1	
21	97707-30514	•• SCREW, PAN HEAD TAPPING	4	Tightening torque: 0.6-0.8Nm
22	X0E-8A8R1-00	•• LABEL 1	1	
23	X0E-81994-A0	• LABEL, SAFETY	1	
24	90387-062M3	• COLLAR	2	
25	X0F-87249-00	• PLATE	1	
26	95817-06020	• BOLT, FLANGE	1	Tightening torque: 9-11Nm
27	90387-06081	• COLLAR	1	
28	95817-06065	• BOLT, FLANGE	1	Tightening torque: 9-11Nm
29	90338-12004	• PLUG		
30	95817-06040	• BOLT, FLANGE	1	Tightening torque: 9-11Nm
31	90387-06513	• COLLAR	2	
32	X0C-43614-01	• PLATE 2, TILT LOCK	1	
33	95817-06016	• BOLT,FLG.	2	To secure Tilt lock plate (No.30) tightening torque 9-11Nm

FIG. 13 24inch wheel left drive unit

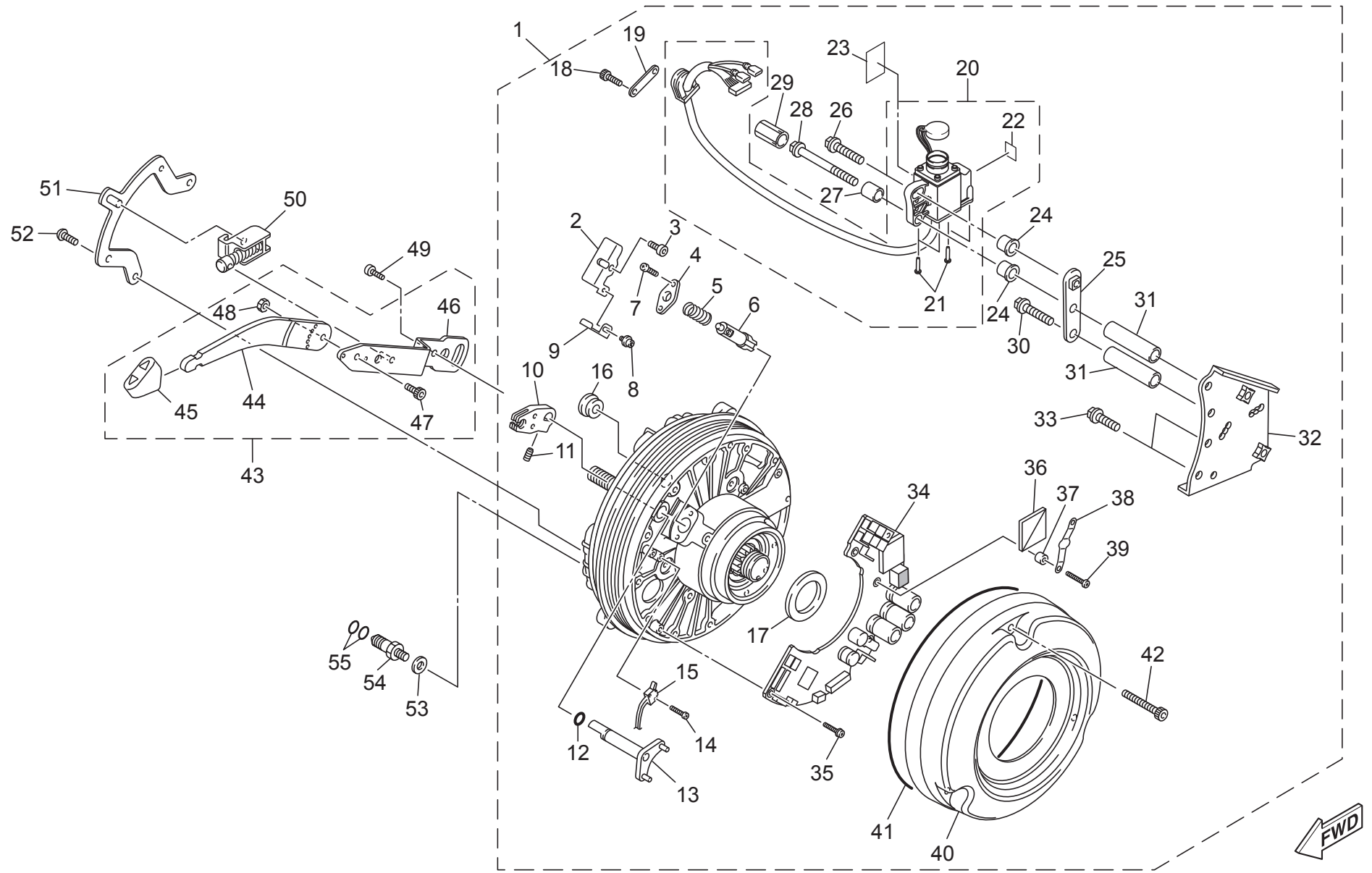


FIG. 13 24inch wheel left drive unit

No.	Part Number	Part Name	Qty.	Detail
34	X0F-86501-B0	• MOTOR CONTROL UNIT C	1	Drive unit circuit board assembly for 24inch model
35	97607-03210	• SCREW, PAN HEAD WITH WASHER	3	To secure circuit board (No.23) Tightening torque: 0.4-0.6Nm
36	X0C-86515-00	• PLATE, HEAT SINK	1	Aluminum heat release plate
37	X0C-87294-00	• SPACER 1	2	White pipe
38	X0C-8A970-00	• SPRING	1	Spring plate
39	98502-03014	• SCREW, PAN HEAD	2	To secure spring (No.26) Tightening torque: 0.4-0.6Nm
40	X0C-46313-00	• COVER, TRANSMISSION	1	Plastic black cover
41	X0C-46136-00	• SEAL 1	1	Rubber O-ring
42	98902-04025	• SCREW, BINDING HEAD	3	To secure cover (No.29) Tightening torque: 1.5-2.5Nm
43	X0C-18150-62	SHIFT LEVER ASSEMBLY	1	
44	X0C-46382-00	• LEVER 1, SHIFT	1	
45	X0F-46381-00	• KNOB, SHIFT	1	
46	X0C-46383-00	• LEVER 2, SHIFT	1	
47	91317-06016	• BOLT, HEXAGON SOCKET HEAD	1	Tightening torque: 10-12Nm
48	95602-06100	• NUT, SELF LOCKING	1	Tightening torque: 6-8Nm
49	91317-05012	BOLT, HEXAGON SOCKET HEAD	1	Tightening torque: 6-8Nm
50	X0C-W2331-01	LINK, CLUTCH	1	
51	X0C-45694-00	PLATE 2, SHIFT	1	
52	92017-06012	BOLT, BUTTON HEAD	2	Tightening torque: 6-8Nm
53	90201-06032	WASHER, PLAIN	1	
54	X0C-46432-A0	STOPPER	1	Reaction force stopper Tightening torque: 9-11Nm
55	93210-08006	O-RING	2	

FIG. 14 Battery seat (1)

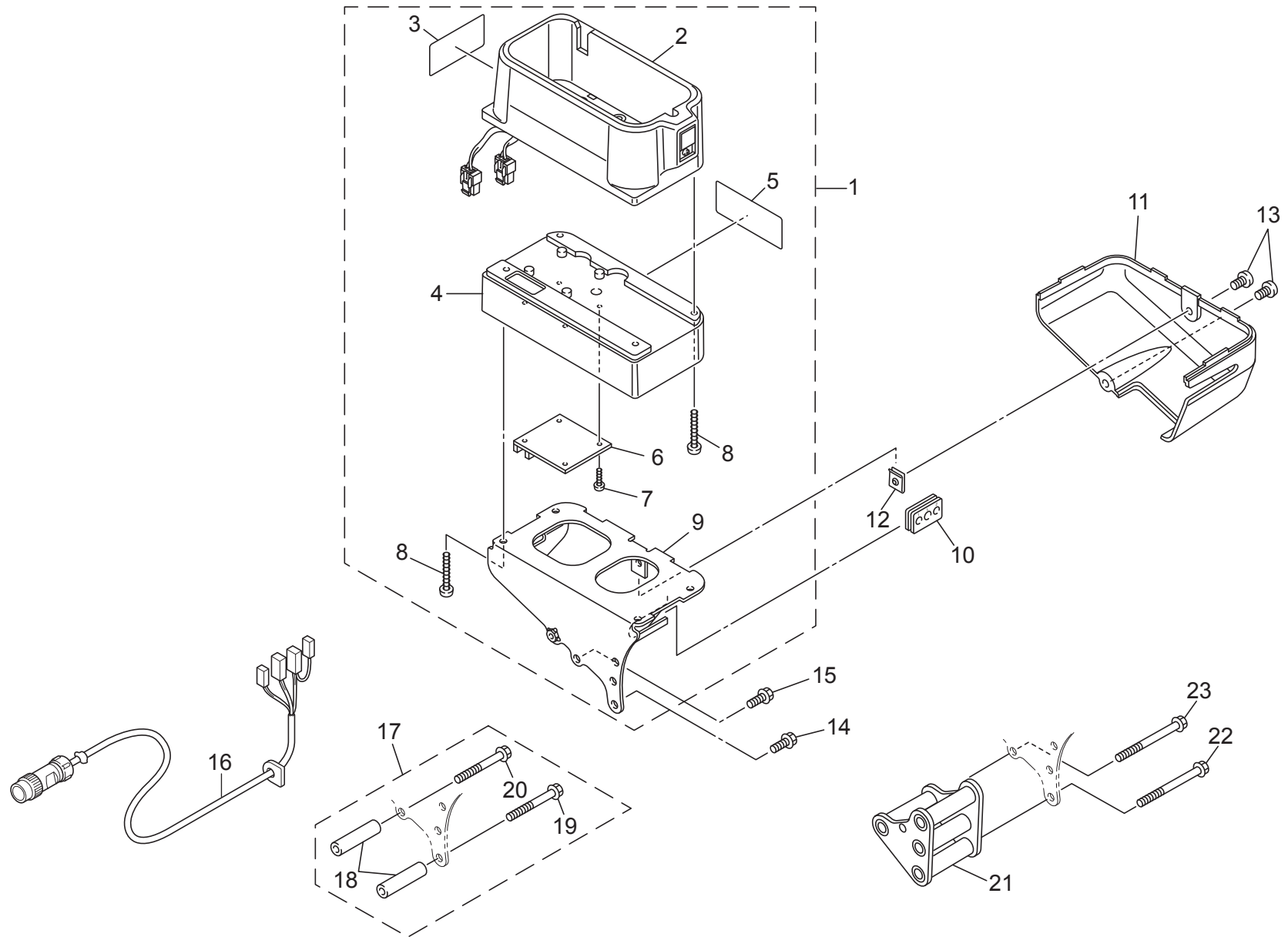


FIG. 14 Battery seat (1)

No.	Part Number	Part Name	Qty.	Detail
1	X0C-821A1-A0	SEAT ASSEMBLY 1, BATTERY	1	Fixed type battery seat kit
2	X0C-82102-03	• BATTERY SEAT ASSEMBLY	1	
3	X0C-43174-A1	• LABEL, WARNING	1	Anti-tip device warning label
4	X0C-8A811-00	• CASE 1, UPPER	1	
5	X0C-23198-A0	• LABEL 1, CAUTION	1	Clutch lever operation caution label
6	X0C-8A211-01	• CONTROL UNIT ASSEMBLY	1	Electric board
7	97707-30508	• SCREW	4	Tightening torque: 0.4-0.6Nm
8	97707-40520	• SCREW, PAN HEAD TAPPNG	8	Tightening torque: 1.6-2.0Nm
9	X0C-21393-00	• BRACKET 1, BATTERY BOX	1	
10	XA2-82355-00	GROMMET 1	1	
11	X0C-2132H-00	PLATE, COVER	1	
12	X0C-21295-00	NUT, PLATE	1	
13	98907-05010	SCREW, BINDING HEAD	2	Tightening torque: 1.5-2.5Nm
14	95817-06016	BOLT, FLANGE	3	For 16inch model. Tightening torque: 9-11Nm
15	95817-06010	BOLT, FLANGE	1	For 16inch model. Tightening torque: 9-11Nm
16	X0F-87276-00	COUPLER, CONTROL BOX	1	850mm cable to left unit for 16inch fixed battery seat models
	X0F-87276-10			650mm cable to left unit for 24inch models and 16inch separated battery seat models
17	X0F-253W0-00	SPACER ASSEMBLY	1	28.5mm offset spacer kit
18	90569-06183	• SPACER	4	28.5mm spacer tube
19	95817-06045	• BOLT, FLANGE	3	for 28.5mm spacer tube, 45mm length, tightening torque: 9-11Nm
20	95817-06040	• BOLT, FLANGE	1	for 28.5mm spacer tube, 40mm length, tightening torque: 9-11Nm
21	X0C-21394-00	BRACKET 2, BATTERY BOX	1	53mm spacer bracket for 24inch model
22	95817-06070	BOLT, FLANGE	3	For 53mm spacer bracket, 70mm length, tightening torque: 9-11Nm
23	95817-06065	BOLT, FLANGE	1	For 53mm spacer bracket, 65mm length, tightening torque: 9-11Nm

FIG. 15 Battery seat (2)

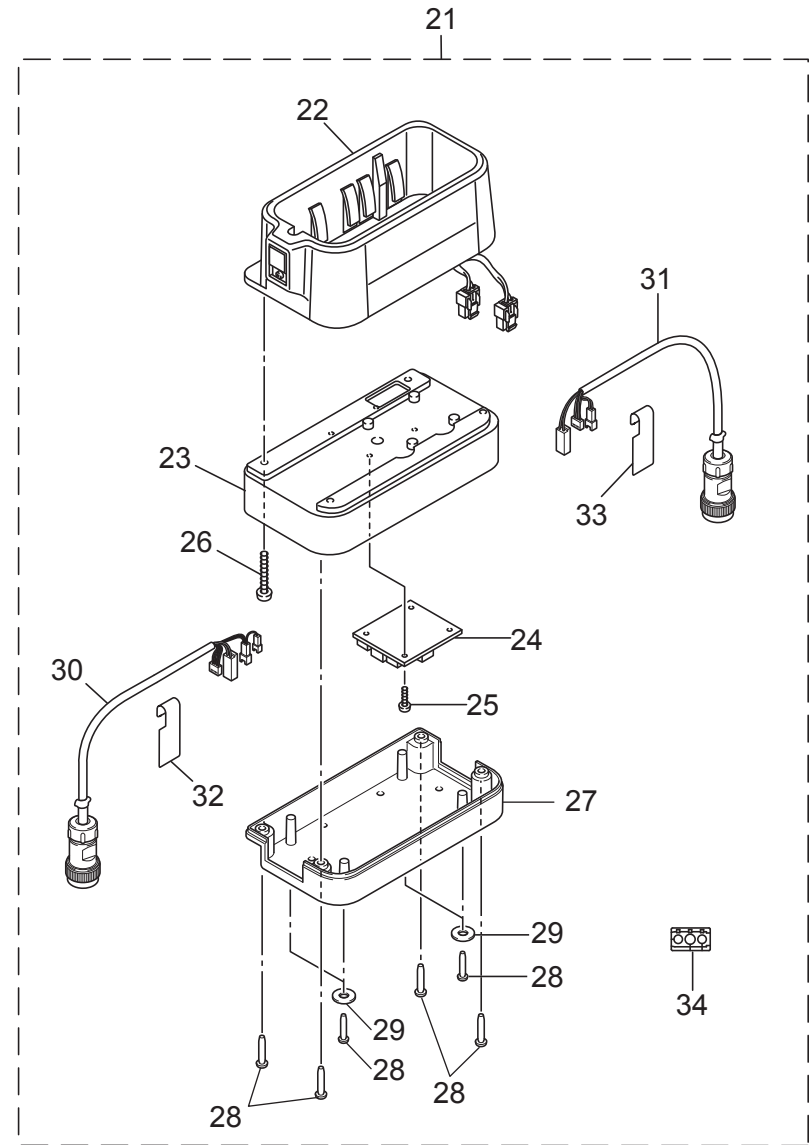
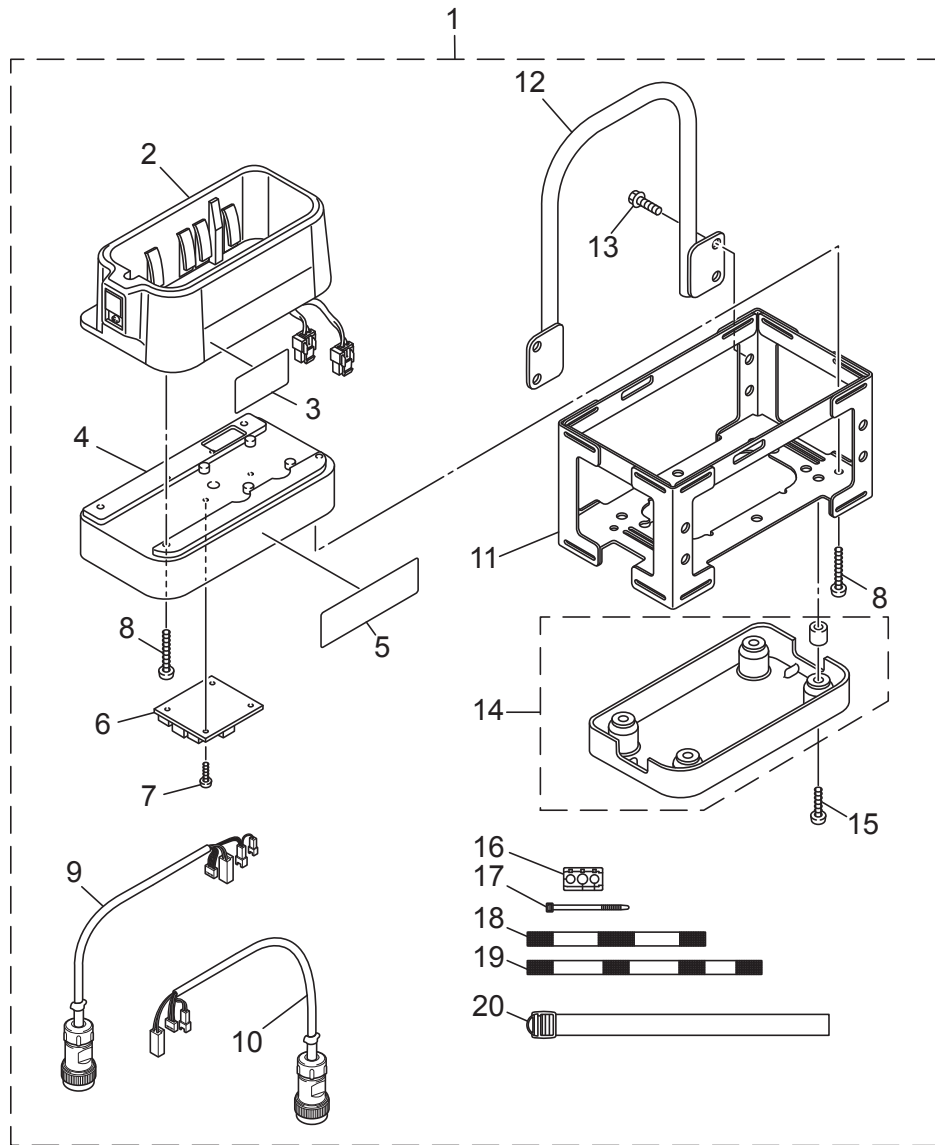


FIG. 15 Battery seat (2)

No.	Part Number	Part Name	Qty.	Detail
1	X0F-8210E-00	BATTERY BOX ASSEMBLY	1	Separated battery seat kit with a metal frame
2	X0C-82102-03	• BATTERY SEAT ASSEMBLY	1	
3	X0C-43174-A1	• LABEL 1, WARNINIG	1	Anti-tip device warning label
4	X0C-8A811-00	• CASE 1, UPPER	1	
5	X0C-23198-A0	• LABEL 1, CAUTION	1	Clutch lever operation caution label
6	X0C-8A211-01	• CONTROL UNIT ASSEMBLY	1	Electric board
7	97707-30508	• SCREW	4	Tightening torque: 0.4-0.6Nm
8	97707-40520	• SCREW, PAN HEAD TAPPNG	8	Tightening torque: 1.6-2.0Nm
9	X0F-87276-00	• COUPLER, CONTROL BOX	1	Cable to left unit, wire length 850mm (option)
	X0F-87276-10			Cable to left unit, wire length 650mm (standard)
10	X0F-8183H-00	• COUPLER	1	Cable to right unit, wire length 750mm (standard)
	X0F-8183H-10			Cable to right unit, wire length 850mm (option)
11	X0D-8A821-00	• CASE 1, LOWER	1	Metal frame
12	X0D-2131A-00	• PIPE	1	
13	95812-06010	• BOLT, FLANGE	4	Tightening torque: 6-8Nm
14	X0D-W8A82-00	• CASE SUB ASSEMBLY 2, LOWER	1	Cable case
15	90111-05031	• BOLT, HEXAGON SOCKET BUTTON	4	Tightening torque: 1.2-1.6Nm
16	XA2-82355-00	• GROMMET	2	
17	\$AB150	• TIE 150MM	12	150mm tie band
18	X0D-82124-00	• BAND 1, BATTERY	1	330mm length fabric velcro tape
19	X0D-82125-00	• BAND 2, BATTERY	1	380mm length fabric velcro tape
20	X0D-24734-00	• BAND	8	800mm length tying belt
21	X0F-8210E-A0	BATTERY BOX ASSEMBLY	1	Separated battery seat kit for back pack mount
22	X0C-82102-03	• BATTERY SEAT ASSEMBLY	1	
23	X0C-8A811-00	• CASE 1, UPPER	1	
24	X0C-8A211-01	• CONTROL UNIT ASSEMBLY	1	Electric board
25	97707-30508	• SCREW	4	Tightening torque: 0.4-0.6Nm
26	97707-40520	• SCREW, PAN HEAD TAPPNG	4	Tightening torque: 1.6-2.0Nm
27	X0F-8A822-00	• CASE 2, LOWER	1	
28	97707-40520	• SCREW, PAN HEAD TAPPNG	8	Tightening torque: 1.6-2.0Nm
29	90201-043H5	• WASHER, PLAIN	4	for fabric bag mounting
30	X0F-87276-00	• COUPLER, CONTROL BOX	1	Cable to left unit, wire length 850mm (option)
	X0F-87276-10			Cable to left unit, wire length 650mm (standard)
31	X0F-8183H-00	• COUPLER	1	Cable to right unit, wire length 750mm (standard)
	X0F-8183H-10			Cable to right unit, wire length 850mm (option)
32	X0F-23198-A0	• LABEL 1, CAUTION	1	Clutch operation warning label
33	X0F-2118K-A0	• LABEL, CAUTION	1	Anti-tip device warning label
34	XA2-82355-00	• GROMMET	2	

FIG. 16 Axle sleeve and bracket

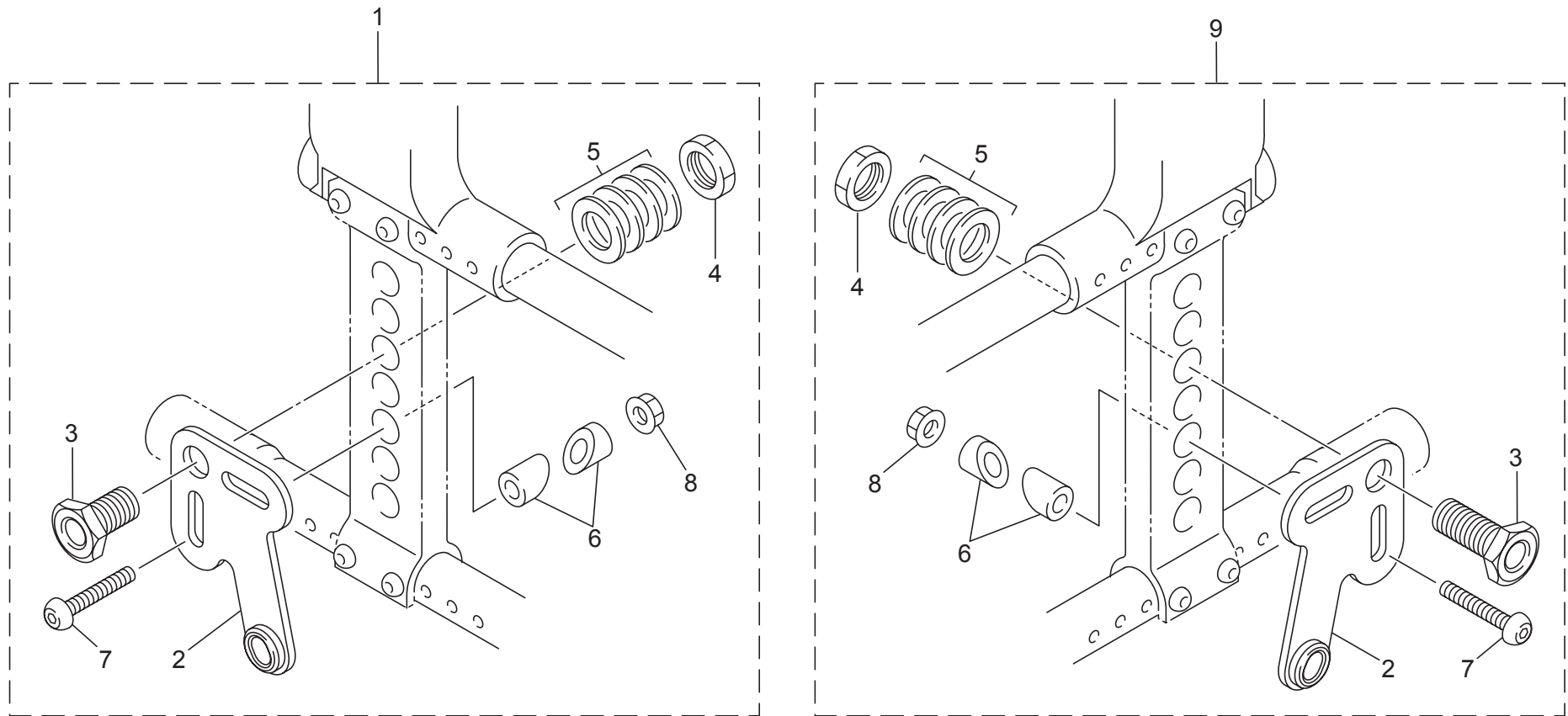


FIG. 16 Axle sleeve and bracket

No.	Part Number	Part Name	Qty.	Detail
1	X0C-43101-A0	CLAMP BRACKET ASSEMBLY 1	1	Right side axle sleeve bracket assembly
2	X0C-22274-00	• STOPPER ARM	1	Stopper pin receiver
3	XA3-43131-01	• BOLT, CLAMP BRACKET	1	Axle sleeve
4	90170-18165	• NUT, HEXAGON	1	
5	92907-18600	• WASHER, PLAIN	4	Adjusting washert
6	X0C-4615A-A0	• COLLAR 1, GUIDE	2	
7	92017-08040	• BOLT, BUTTON HEAD	1	
8	95607-08200	• NUT, SELF LOCKING FLANGE	1	
9	X0C-43102-A0	CLAMP BRACKET ASSEMBLY 2	1	Left side axle sleeve bracket assembly

FIG. 17 16inch model anti-tipping bar

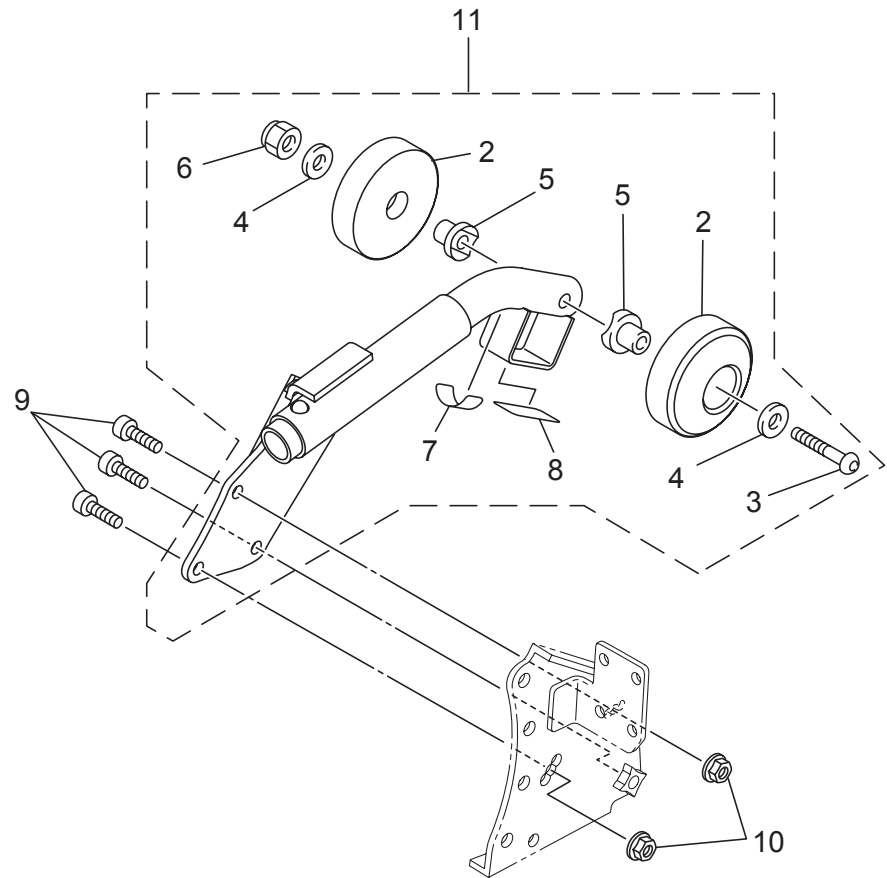
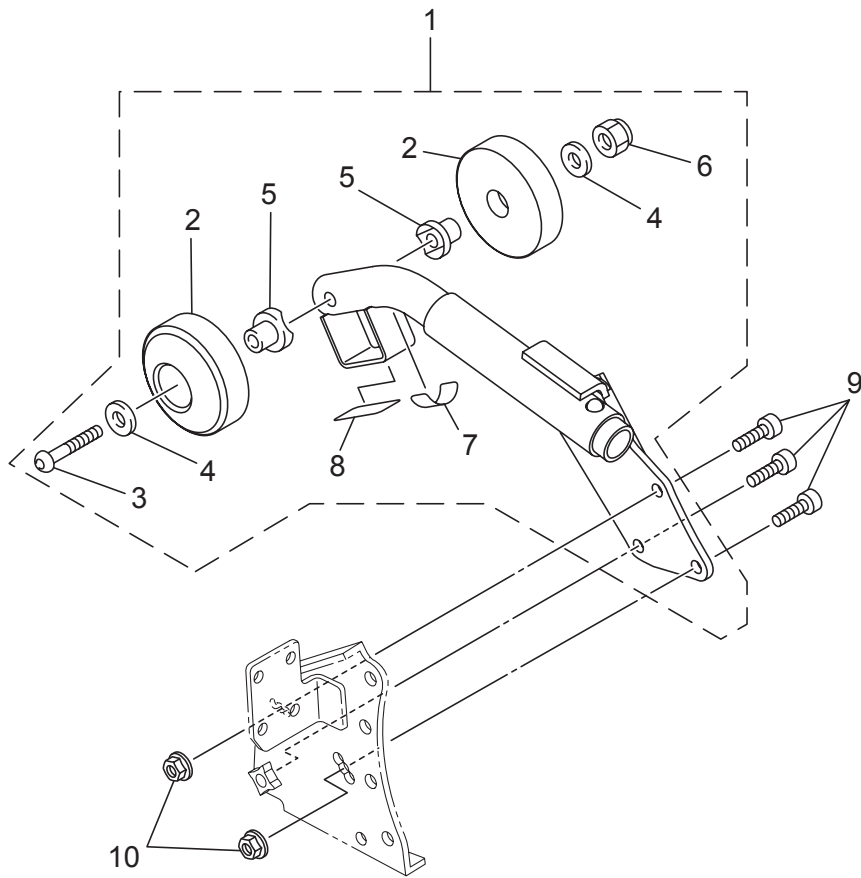


FIG. 17 16inch model anti-tipping bar

No.	Part Number	Part Name	Qty.	Detail
1	X0D-47440-A0	ANTI-TIPPNG BAR, RIGHT	1	Right hand anti-tipping bar for 16inch model
2	XA7-47429-00	• ROLLER	1	
3	91312-06045	• BOLT, HEXAGON SOCKET HEAD	1	To secure Roller (No.2) Tightening torque: 3-4Nm
4	90201-06032	• WASHER, PLAIN	2	
5	X0C-46258-00	• COLLAR, ROLLER	2	
6	95602-06100	• NUT, SELF LOCKING	1	
7	X0D-47578-00	• LABEL 1	1	"X" label
8	X0D-43317-00	• GLIP	1	Anti slip
9	91317-05014	BOLT, HEXAGON SOCKET HEAD	3	To secure the anti-tipping bar, tightening torque: 6-8Nm
10	95607-05200	NUT, SELF LOCKING FLANGE	2	
11	X0D-47430-A0	ANTI-TIPPNG BAR, LEFT	1	Left hand anti-tipping bar for 16inch model

FIG. 18 24inch model anti-tipping bar

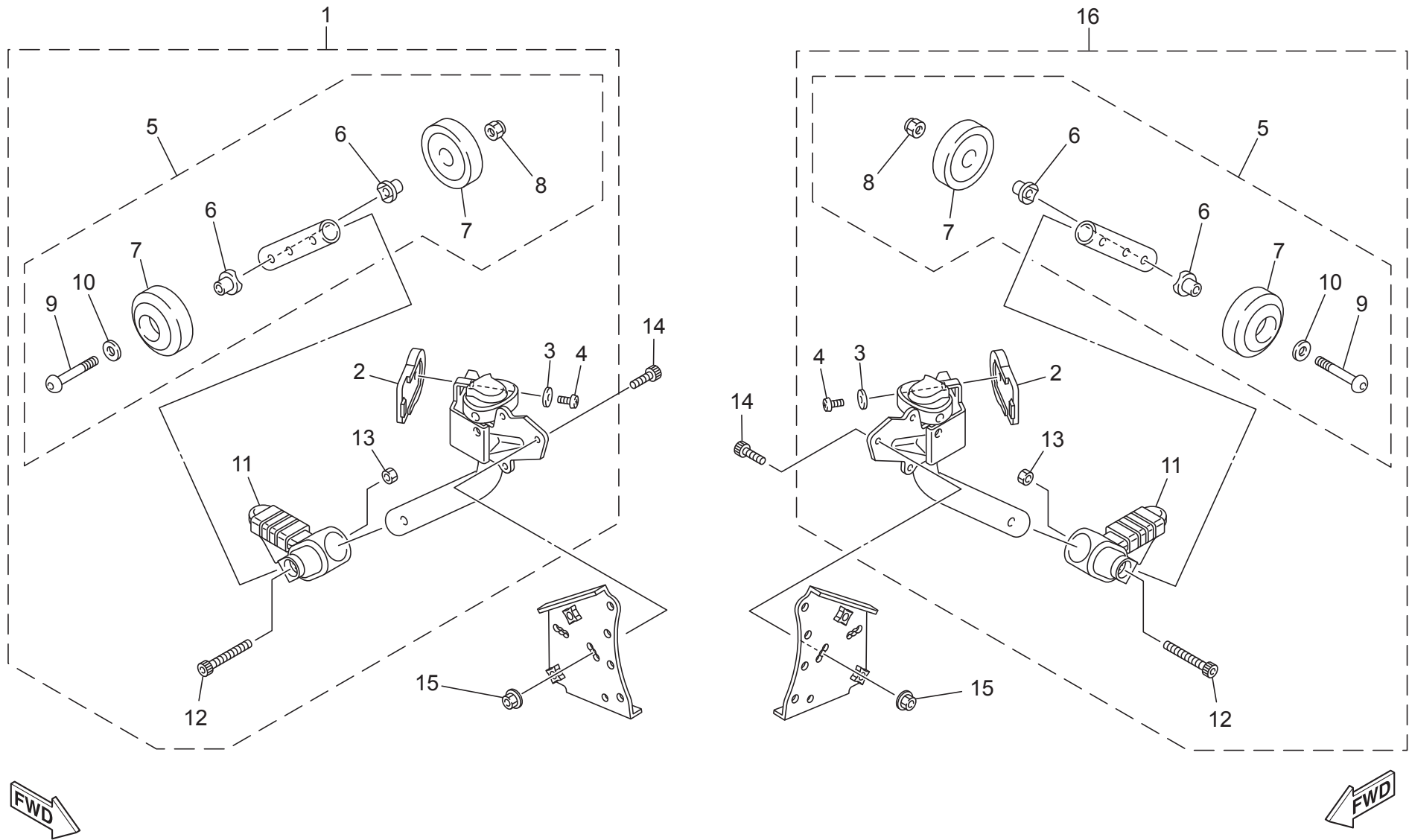
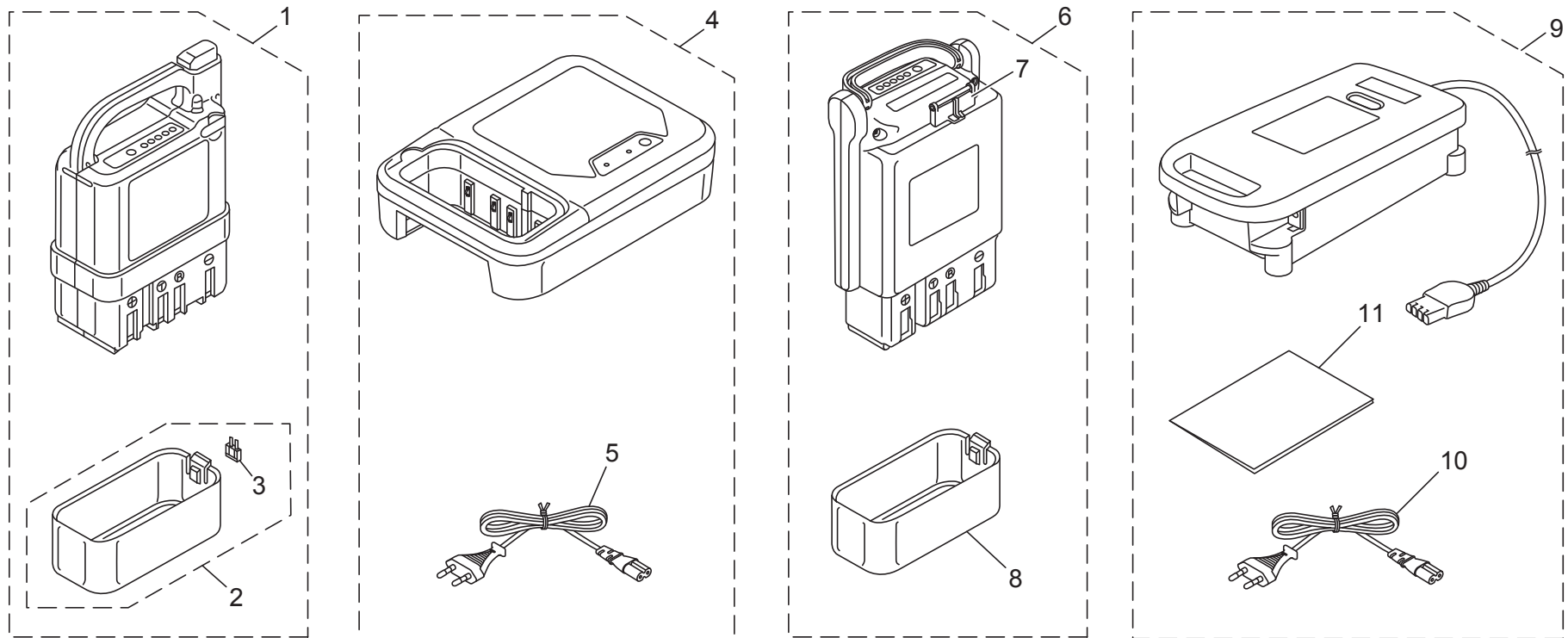


FIG. 18 24inch model anti-tipping bar

No.	Part Number	Part Name	Qty.	Detail
1	X0C-47440-A0	ANTI-TIPPING BAR, RIGHT	1	Right hand anti-tipping bar for 24inch model
2	X0F-48224-00	• COVER, CONTROL LEVER	1	
3	X0C-47384-00	• WASHER 1	1	
4	97702-30508	• SCREW, PAN HEAD TAPPING	1	To secure Cover (No.2) Tightening torque: 0.25-0.35Nm
5	X0F-47410-00	• SLIDING FRAME COMPLETE	1	Roller assembly
6	X0C-46258-00	•• COLLAR, ROLLER	2	
7	XA7-47429-00	•• ROLLER	2	
8	95602-06200	•• NUT, SELF LOCKING FLANGE	1	
9	91312-06045	•• BOLT, HEXAGON SOCKET HEAD	1	To secure Roller (No.7) Tightening torque: 3-4Nm
10	X0F-47527-00	•• WASHER	1	
11	X0F-47529-00	• CAP	1	
12	91312-06030	• BOLT, HEXAGON SOCKET HEAD	1	To secure Sliding frame (No.5) Tightening torque: 4-6Nm
13	95602-06100	• NUT, SELF LOCKING	1	
14	91317-05014	BOLT, HEXAGON SOCKET HEAD	3	To secure Anti-tipping bar (No.1) Tightening torque: 6-8Nm
15	95607-05200	NUT, SELF LOCKING FLANGE	2	
16	X0C-47430-A0	ANTI-TIPPNG BAR, LEFT	1	Left hand anti-tipping bar for 24inch model

FIG. 19 Battery and battery charger



12
POWER

13
MANUAL

FIG. 19 Battery and battery charger

No.	Part Number	Part Name	Qty.	Detail
1	XA4-82100-B1	BATTERY ASSEMBLY 2	1	Ni-MH battery with the English language 'Ni-MH' label
	XA4-82100-G5			Ni-MH battery without the 'Ni-MH' label
	XA4-82100-J3			Ni-MH battery for the specified models
2	XA4-82160-10	• BATTERY COVER ASSEMBLY	1	Plastic terminal cover with a backup fuse (No.5) for Ni-MH battery (No.1)
3	5JJ-82151-20	•• FUSE	1	Backup fuse
4	XA4-82107-G2	CHARGER, BATTERY	1	Ni-MH battery charger for the specified models
	XA4-82107-J2			Ni-MH battery charger for the specified models
	XA4-82107-N2			Ni-MH battery charger for the specified models
5	XA4-87209-N0	• CHARGING CORD ASSEMBLY	1	Power cord for Ni-MH battery charger with AU plug
	XA4-87209-A0			Power cord for Ni-MH battery charger with EU plug
	XA4-87209-J0			Power cord for Ni-MH battery charger with US plug
6	X0C-82100-B1	BATTERY ASSEMBLY 2	1	Li-ion battery
7	X0C-82371-11	• CAP, PLUG	1	Charge jack lid
8	XA4-82129-00	• COVER, BATTERY	1	Plastic terminal cover for Li-ion battery (No.6)
9	X0C-8210C-B0	BATTERY CHARGER ASSEMBLY	1	Li-ion battery charger assembly with EU plug power cord (No.10)
	X0C-8210C-C0			Li-ion battery charger assembly with US plug power cord (No.10)
10	X0C-87132-B0	• CORD ASSEMBLY 2	1	Power cord for Li-ion battery (No.6) with EU plug
	X0C-87132-C0			Power cord for Li-ion battery (No.6) with US plug
11	X0C-8210A-00	• MANUAL, INSTRUCTION	1	
12	X0C-2151A-A0	LABEL 1	1	"POWER" Label
13	X0C-2151E-A0	LABEL 2	1	"MANUAL" Label

Index (Part Numbers)

Part number	Ref. No.	Part number	Ref. No.	Part number	Ref. No.	Part number	Ref. No.	Part number	Ref. No.
\$AB150	15-17	90387-06513	11-29	91317-06020	7-29	95302-05700	9-53	97602-03206	9-8
\$AB150-W	4-30	90387-06513	12-31	91317-06025	4-10	95602-06100	10-35	97602-04208	7-15
5JJ-82151-20	19-3	90387-06513	13-31	91317-06100	7-28	95602-06100	11-46	97607-03210	10-22
90110-04001	10-3	90387-06513	9-29	92012-06010	12-38	95602-06100	13-48	97607-03210	11-33
90110-04001	11-3	90462-06008	12-39	92012-06010	8-30	95602-06100	17-6	97607-03210	12-41
90110-04001	12-3	90462-06008	8-31	92012-06010	9-36	95602-06100	18-13	97607-03210	13-35
90110-04001	13-3	90462-06008	8-43	92017-06012	10-39	95602-06200	18-8	97607-03210	8-22
90110-04001	8-3	90462-06008	9-37	92017-06012	11-50	95602-06200	4-24	97607-03210	9-39
90110-04001	9-3	90465-10098	7-31	92017-06012	12-54	95607-05200	17-10	97702-30508	18-4
90111-05031	15-15	90501-077J3	6-16	92017-06012	13-52	95607-05200	18-15	97707-30508	14-7
90152-05J08	10-11	90569-06183	14-18	92017-06012	8-37	95607-06200	5-36	97707-30508	15-25
90152-05J08	11-11	91312-06030	18-12	92017-06012	9-52	95607-08200	16-8	97707-30508	15-7
90152-05J08	12-11	91312-06035	4-22	92017-08040	16-7	95607-08200	5-48	97707-30508	3-18
90152-05J08	13-11	91312-06035	5-13	92902-05100	2-8	95812-06010	15-13	97707-30508	3-28
90152-05J08	8-11	91312-06035	6-26	92902-05200	2-7	95817-06010	14-15	97707-30508	3-31
90152-05J08	9-11	91312-06045	17-3	92902-06200	4-23	95817-06016	10-41	97707-30508	7-13
90166-02J210	10-14	91312-06045	18-9	92902-06200	5-12	95817-06016	11-31	97707-30514	11-21
90166-02J210	11-14	91312-06050	7-35	92902-06200	6-25	95817-06016	12-33	97707-30514	12-21
90166-02J210	12-14	91312-06100	4-13	92902-06200	7-36	95817-06016	13-33	97707-30514	13-21
90166-02J210	13-14	91317-03008	10-18	92907-04200	5-32	95817-06016	14-14	97707-30514	7-19
90166-02J210	8-14	91317-03008	11-18	92907-06200	7-30	95817-06016	8-44	97707-30514	9-21
90166-02J210	9-14	91317-03008	12-18	92907-18600	16-5	95817-06016	9-31	97707-40514	4-21
90170-18165	16-4	91317-03008	13-18	92A08-03108	3-36	95817-06020	11-26	97707-40514	5-44
90185-20007	1-5	91317-03008	8-18	93210-04122	10-12	95817-06020	12-26	97707-40520	14-8
90185-20007	2-15	91317-03008	9-18	93210-04122	11-12	95817-06020	13-26	97707-40520	15-26
90201-043H5	15-29	91317-03010	7-25	93210-04122	12-12	95817-06020	9-26	97707-40520	15-28
90201-043H5	4-20	91317-03025	6-19	93210-04122	13-12	95817-06040	11-28	97707-40520	15-8
90201-06032	10-42	91317-05010	12-53	93210-04122	8-12	95817-06040	12-30	97707-40520	5-31
90201-06032	11-51	91317-05010	8-36	93210-04122	9-12	95817-06040	13-30	97707-40525	3-33
90201-06032	12-56	91317-05010	9-51	93210-08006	10-44	95817-06040	14-20	97707-40616	12-37
90201-06032	13-53	91317-05012	10-36	93210-08006	11-53	95817-06040	9-28	97707-40616	8-45
90201-06032	17-4	91317-05012	11-47	93210-08006	12-58	95817-06045	14-19	97707-40616	9-35
90201-06032	8-46	91317-05012	13-49	93210-08006	13-55	95817-06055	11-27	98502-03012	5-27
90201-06032	9-54	91317-05014	17-9	93210-08006	8-48	95817-06055	9-27	98502-03012	5-42
90201-12163	6-14	91317-05014	18-14	93210-08006	9-56	95817-06065	12-28	98502-03014	10-26
90338-12004	12-29	91317-06014	6-10	93210-22ME5	5-21	95817-06065	13-28	98502-03014	10-7
90338-12004	13-29	91317-06016	10-34	93602-13177	3-38	95817-06065	14-23	98502-03014	11-37
90387-06081	12-27	91317-06016	11-45	93602-13177	3-9	95817-06070	14-22	98502-03014	11-7
90387-06081	13-27	91317-06016	13-47	93603-12007	5-22	97602-03206	10-8	98502-03014	12-45
90387-062M3	11-24	91317-06016	5-16	93603-12007	5-30	97602-03206	11-8	98502-03014	12-7
90387-062M3	12-24	91317-06020	5-17	93603-16219	5-45	97602-03206	12-8	98502-03014	13-39
90387-062M3	13-24	91317-06020	5-50	95302-05700	12-55	97602-03206	13-8	98502-03014	13-7
90387-062M3	9-24	91317-06020	6-12	95302-05700	8-38	97602-03206	8-8	98502-03014	8-26

Part number	Ref. No.	Part number	Ref. No.	Part number	Ref. No.	Part number	Ref. No.	Part number	Ref. No.
98502-03014	8-7	X0C-2511B-00	11-17	X0C-45693-00	11-2	X0C-46313-00	9-44	X0C-82371-11	19-7
98502-03014	9-43	X0C-2511B-00	12-17	X0C-45693-00	12-2	X0C-46336-00	5-15	X0C-82377-00	7-4
98502-03014	9-7	X0C-2511B-00	13-17	X0C-45693-00	13-2	X0C-46336-00	6-27	X0C-8259E-00	10-15
98902-04025	10-29	X0C-2511B-00	8-17	X0C-45693-00	8-2	X0C-4633E-00	7-17	X0C-8259E-00	11-15
98902-04025	11-40	X0C-2511B-00	9-17	X0C-45693-00	9-2	X0C-46382-00	10-31	X0C-8259E-00	12-15
98902-04025	12-48	X0C-25188-00	2-10	X0C-45694-00	10-38	X0C-46382-00	11-42	X0C-8259E-00	13-15
98902-04025	13-42	X0C-25192-00	2-6	X0C-45694-00	11-49	X0C-46382-00	13-44	X0C-8259E-00	8-15
98902-04025	8-29	X0C-2532A-A1	2-16	X0C-45694-00	13-51	X0C-46383-00	10-33	X0C-8259E-00	9-15
98902-04025	9-46	X0C-2532A-B0	2-16	X0C-45721-00	5-14	X0C-46383-00	11-44	X0C-8276E-00	7-7
98907-05010	14-13	X0C-2536E-00	2-13	X0C-45721-00	6-9	X0C-46383-00	13-46	X0C-8333G-00	7-9
99009-06400	3-6	X0C-25384-00	2-14	X0C-45723-00	10-4	X0C-46432-A0	10-43	X0C-83585-A1	5-46
99009-12400	6-15	X0C-25411-00	2-5	X0C-45723-00	11-4	X0C-46432-A0	11-52	X0C-83599-00	10-19
99009-20400	1-3	X0C-26112-00	4-11	X0C-45723-00	12-4	X0C-46432-A0	12-57	X0C-83599-00	11-19
X0C-16333-00	10-5	X0C-2612E-01	4-27	X0C-45723-00	13-4	X0C-46432-A0	13-54	X0C-83599-00	12-19
X0C-16333-00	11-5	X0C-2612K-01	4-28	X0C-45723-00	8-4	X0C-46432-A0	8-47	X0C-83599-00	13-19
X0C-16333-00	12-5	X0C-26147-00	4-12	X0C-45723-00	9-4	X0C-46432-A0	9-55	X0C-83599-00	8-19
X0C-16333-00	13-5	X0C-26225-00	4-26	X0C-45814-00	10-13	X0C-47337-00	6-11	X0C-83599-00	9-19
X0C-16333-00	8-5	X0C-26347-00	10-10	X0C-45814-00	11-13	X0C-47384-00	18-3	X0C-83956-00	3-21
X0C-16333-00	9-5	X0C-26347-00	11-10	X0C-45814-00	12-13	X0C-47430-A0	18-16	X0C-83957-00	3-22
X0C-17481-00	10-16	X0C-26347-00	12-10	X0C-45814-00	13-13	X0C-47440-A0	18-1	X0C-8396M-01	7-16
X0C-17481-00	11-16	X0C-26347-00	13-10	X0C-45814-00	8-13	X0C-48127-00	7-8	X0C-85680-00	7-14
X0C-17481-00	12-16	X0C-26347-00	8-10	X0C-45814-00	9-13	X0C-48160-C0	6-7	X0C-85921-0A	7-11
X0C-17481-00	13-16	X0C-26347-00	9-10	X0C-46136-00	10-28	X0C-48177-01	10-9	X0C-8596A-00	7-6
X0C-17481-00	3-34	X0C-2637G-00	12-49	X0C-46136-00	11-39	X0C-48177-01	11-9	X0C-86515-00	10-23
X0C-17481-00	8-16	X0C-2637G-00	8-32	X0C-46136-00	12-47	X0C-48177-01	12-9	X0C-86515-00	11-34
X0C-17481-00	9-16	X0C-2637G-00	9-47	X0C-46136-00	13-41	X0C-48177-01	13-9	X0C-86515-00	12-42
X0C-18120-62	10-30	X0C-2637H-00	12-51	X0C-46136-00	8-28	X0C-48177-01	8-9	X0C-86515-00	13-36
X0C-18120-62	11-41	X0C-2637H-00	8-34	X0C-46136-00	9-45	X0C-48177-01	9-9	X0C-86515-00	8-23
X0C-18150-62	13-43	X0C-2637H-00	9-49	X0C-46153-00	6-18	X0C-48321-00	4-5	X0C-86515-00	9-40
X0C-2118K-A2	3-10	X0C-43101-A0	16-1	X0C-4615A-A0	16-6	X0C-48321-00	5-5	X0C-86526-01	10-20
X0C-2118K-A2	7-5	X0C-43102-A0	16-9	X0C-46231-00	6-20	X0C-48321-00	6-5	X0C-86526-01	8-20
X0C-21295-00	14-12	X0C-43174-A1	14-3	X0C-46239-00	5-49	X0C-48381-00	4-6	X0C-87132-B0	19-10
X0C-2132H-00	14-11	X0C-43174-A1	15-3	X0C-46239-00	6-21	X0C-48381-00	5-6	X0C-87132-C0	19-10
X0C-21393-00	14-9	X0C-43614-01	13-32	X0C-46258-00	17-5	X0C-48381-00	6-6	X0C-87281-A0	7-10
X0C-21394-00	14-21	X0C-43615-01	10-40	X0C-46258-00	18-6	X0C-48561-00	7-12	X0C-87294-00	10-24
X0C-2151A-A0	19-12	X0C-43615-01	11-30	X0C-46259-00	6-17	X0C-82100-B1	19-6	X0C-87294-00	11-35
X0C-2151E-A0	19-13	X0C-45637-00	10-6	X0C-46266-00	6-13	X0C-82102-03	14-2	X0C-87294-00	12-43
X0C-22274-00	16-2	X0C-45637-00	11-6	X0C-46295-00	6-8	X0C-82102-03	15-2	X0C-87294-00	13-37
X0C-23198-A0	14-5	X0C-45637-00	12-6	X0C-46313-00	10-27	X0C-82102-03	15-22	X0C-87294-00	8-24
X0C-23198-A0	15-5	X0C-45637-00	13-6	X0C-46313-00	11-38	X0C-8210A-00	19-11	X0C-87294-00	9-41
X0C-24847-00	4-8	X0C-45637-00	8-6	X0C-46313-00	12-46	X0C-8210C-B0	19-9	X0C-88146-00	7-20
X0C-24848-00	4-9	X0C-45637-00	9-6	X0C-46313-00	13-40	X0C-8210C-C0	19-9	X0C-88147-00	7-21
X0C-2511B-00	10-17	X0C-45693-00	10-2	X0C-46313-00	8-27	X0C-821A1-A0	14-1	X0C-88147-A0	7-21

Part number	Ref. No.	Part number	Ref. No.	Part number	Ref. No.	Part number	Ref. No.	Part number	Ref. No.
X0C-8A211-01	14-6	X0D-82125-00	15-19	X0F-4633G-00	5-20	X0F-48202-A0	7-1	X0F-87249-00	11-25
X0C-8A211-01	15-24	X0D-8A821-00	15-11	X0F-46368-00	5-28	X0F-48202-B1	7-32	X0F-87249-00	12-25
X0C-8A211-01	15-6	X0D-W8A82-00	15-14	X0F-4636A-00	5-24	X0F-48224-00	18-2	X0F-87249-00	13-25
X0C-8A811-00	14-4	X0E-81994-A0	11-23	X0F-46381-00	10-32	X0F-48243-00	3-3	X0F-87249-00	9-25
X0C-8A811-00	15-23	X0E-81994-A0	12-23	X0F-46381-00	11-43	X0F-48263-00	3-5	X0F-87276-00	14-16
X0C-8A811-00	15-4	X0E-81994-A0	13-23	X0F-46381-00	13-45	X0F-482A0-A0	3-2	X0F-87276-00	15-30
X0C-8A970-00	10-25	X0E-81994-A0	9-23	X0F-463A3-A0	12-1	X0F-482A0-A0	5-3	X0F-87276-00	15-9
X0C-8A970-00	11-36	X0E-8A8R1-00	12-22	X0F-463A3-B0	13-1	X0F-482A0-A0	6-3	X0F-87276-10	14-16
X0C-8A970-00	12-44	X0E-8A8R1-00	13-22	X0F-463A4-A0	8-1	X0F-48530-A0	3-32	X0F-87276-10	15-30
X0C-8A970-00	13-38	X0E-8A8R2-00	11-22	X0F-463A4-B0	9-1	X0F-8183H-00	15-10	X0F-87276-10	15-9
X0C-8A970-00	8-25	X0E-8A8R2-00	9-22	X0F-463A4-C0	10-1	X0F-8183H-00	15-31	X0F-88146-00	3-29
X0C-8A970-00	9-42	X0F-2118K-A0	15-33	X0F-463A4-D0	11-1	X0F-8183H-10	15-10	X0F-8A822-00	15-27
X0C-W2331-01	10-37	X0F-2255A-00	2-4	X0F-47341-02	5-40	X0F-8183H-10	15-31	XA2-2612E-00	4-27
X0C-W2331-01	11-48	X0F-2255A-10	2-4	X0F-47410-00	18-5	X0F-8210E-00	15-1	XA2-2612E-00	5-9
X0C-W2331-01	13-50	X0F-23198-A0	15-32	X0F-47466-01	5-25	X0F-8210E-A0	15-21	XA2-2612E-00	6-22
X0D-16333-00	12-52	X0F-24847-00	5-47	X0F-47519-00	5-43	X0F-82375-01	3-8	XA2-2612E-00	7-33
X0D-16334-00	8-35	X0F-25005-A2	2-1	X0F-47527-00	18-10	X0F-82508-00	3-19	XA2-2612J-00	4-14
X0D-16334-00	9-50	X0F-25304-10	2-2	X0F-47529-00	18-11	X0F-8332N-00	3-16	XA2-2612K-00	4-28
X0D-2131A-00	15-12	X0F-25335-00	2-12	X0F-48102-A0	4-1	X0F-83370-00	3-26	XA2-2612K-00	5-10
X0D-24734-00	15-20	X0F-25336-03	2-11	X0F-48102-B0	6-1	X0F-8353H-00	7-18	XA2-2612K-00	6-23
X0D-25005-A0	1-1	X0F-25367-01	1-6	X0F-48102-C0	4-2	X0F-8358W-00	3-15	XA2-26158-00	4-31
X0D-25360-A0	12-34	X0F-25367-01	2-17	X0F-48102-D0	5-1	X0F-83599-00	3-30	XA2-26158-00	6-24
X0D-25360-A0	8-39	X0F-2539F-00	2-9	X0F-48110-A0	3-1	X0F-8359K-00	3-14	XA2-26158-10	4-31
X0D-25360-A0	9-32	X0F-253W0-00	14-17	X0F-48110-A0	4-3	X0F-83634-00	3-12	XA2-26158-20	4-31
X0D-25384-00	1-4	X0F-26120-02	4-15	X0F-48110-B0	3-1	X0F-83955-00	3-32	XA2-2615E-00	4-29
X0D-2612K-00	7-34	X0F-26120-12	4-15	X0F-48110-B0	5-2	X0F-8396C-00	3-25	XA2-26246-01	7-24
X0D-26335-00	12-36	X0F-26120-22	4-15	X0F-48110-B0	6-2	X0F-8396K-00	3-11	XA2-26258-02	7-26
X0D-26335-00	8-41	X0F-2612F-01	4-18	X0F-48119-00	3-37	X0F-8397A-A0	7-3	XA2-26258-10	7-27
X0D-26335-00	9-34	X0F-26164-00	4-19	X0F-4811A-A0	3-7	X0F-83987-00	3-24	XA2-2639F-11	4-25
X0D-26372-00	12-50	X0F-26170-A1	4-17	X0F-4811B-00	3-13	X0F-8398E-A0	3-23	XA2-82355-00	14-10
X0D-2637A-00	8-33	X0F-45618-01	5-41	X0F-48120-A0	7-2	X0F-85598-00	3-27	XA2-82355-00	15-16
X0D-2637A-00	9-48	X0F-45818-00	5-39	X0F-48141-00	3-4	X0F-85920-10	3-17	XA2-82355-00	15-34
X0D-28446-A0	12-35	X0F-46154-00	5-19	X0F-48143-00	3-40	X0F-86288-00	3-20	XA2-82911-01	7-22
X0D-28446-A0	8-40	X0F-46212-00	5-34	X0F-48144-00	3-41	X0F-86501-A0	12-40	XA3-43131-01	16-3
X0D-28446-A0	9-33	X0F-46223-00	5-33	X0F-48160-00	4-7	X0F-86501-A0	8-21	XA4-25308-H0	2-3
X0D-43317-00	17-8	X0F-46241-00	5-37	X0F-48160-D0	5-7	X0F-86501-A0	9-38	XA4-82100-B1	19-1
X0D-43614-00	12-32	X0F-46257-00	5-35	X0F-48180-A0	4-16	X0F-86501-B0	10-21	XA4-82100-G5	19-1
X0D-43615-00	8-42	X0F-46277-00	5-26	X0F-4819A-00	5-11	X0F-86501-B0	11-32	XA4-82100-J3	19-1
X0D-43615-00	9-30	X0F-46295-00	5-8	X0F-481C0-01	3-35	X0F-86501-B0	13-34	XA4-82107-G2	19-4
X0D-47430-A0	17-11	X0F-46310-50	5-18	X0F-481D0-10	3-39	X0F-87214-00	12-20	XA4-82107-J2	19-4
X0D-47440-A0	17-1	X0F-46326-00	5-23	X0F-481D0-10	4-4	X0F-87214-00	13-20	XA4-82107-N2	19-4
X0D-47578-00	17-7	X0F-4632K-00	5-38	X0F-481D0-10	5-4	X0F-87239-00	11-20	XA4-82129-00	19-8
X0D-82124-00	15-18	X0F-46335-00	5-29	X0F-481D0-10	6-4	X0F-87239-00	9-20	XA4-82160-10	19-2

