



e-Move Parts Catalog

Updated: Sept 2017

Robert Larsson

Preface

This parts catalog lists parts and assemblies configuring the E-Move (Power Assist Unit for Wheelchairs) which can be repaired. When ordering parts, please refer to the parts catalog and indicate the part number, part name, and quantity accurately. Please be careful to select the part name and number corresponding to the appropriate one. Assembly parts are indicated with (*) in front of the component part name.

Information concerning new parts being brought out and parts being discontinued will be listed in the Service News and/or other documentation. Please update the parts catalog based on that information.

This catalog does not contain guidelines for assembling or renovating the unit. Please refer to the service manual when repairing the unit.

The tightening torque information is only the specimen for reference. Please refer to the service manual for details.

The parts that do not have the model listed are common parts.

Unit Part Number	Model	Series Category
X0E-46304-A0	A24E2	A series
X0E-46307-A0	A24E2-S	
X0E-46307-B0	B24E2-S	
X0E-46306-D0	C24E-S	
X0E-46304-E0	D24E2	
X0E-46304-F0	E24E2	E series
X0E-46307-F0	E24E2-S	
X0E-46304-G0	F24E2	
X0E-46304-H0	G24E2	G series
X0E-46307-H0	G24E2-S	
X0E-46307-J0	H22E2-S	H series
X0E-46307-K0	H24E2-S	
X0E-46304-L0	J24E2	J series
X0E-46307-L0	J24E2-S	

Contents

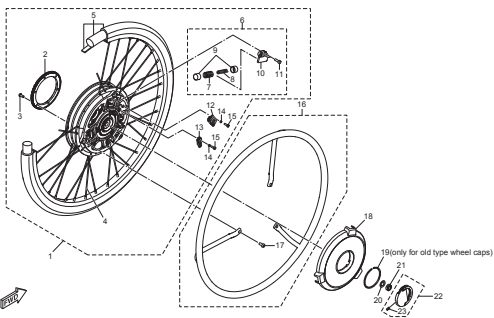
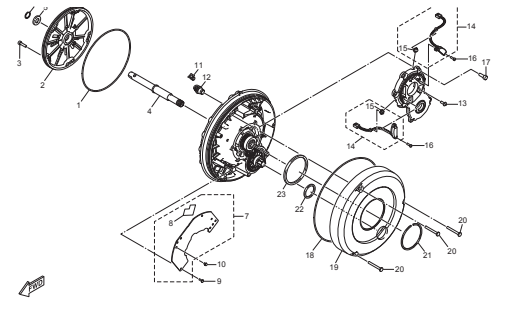
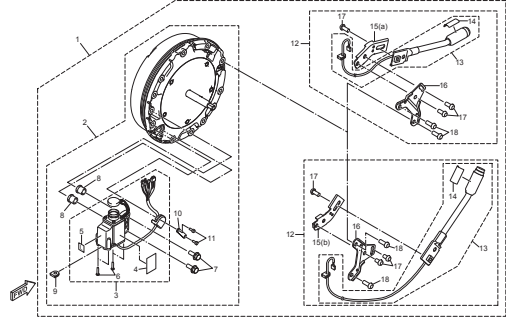
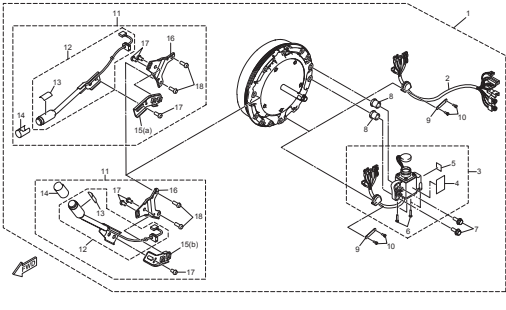
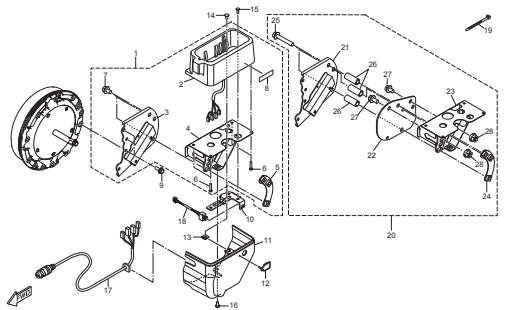
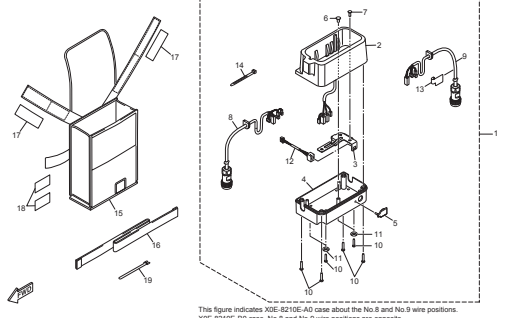
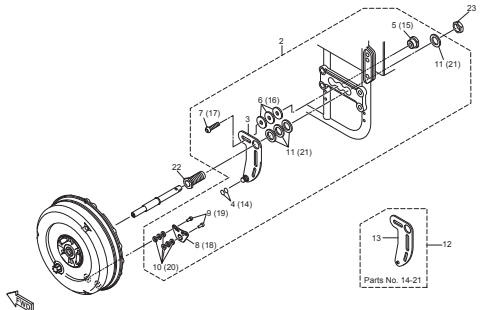
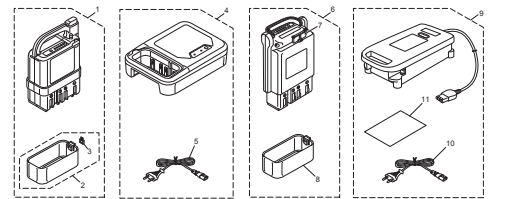
<p>1. Wheel P.1</p> 	<p>2. Drive unit L/R common parts P.5</p> 	<p>3. Left unit fitting parts P.7</p> 
<p>4. Right unit fitting parts P.9</p> 	<p>5. Battery Seat 1 P.11</p> 	<p>6. Battery Seat 2 P.13</p>  <p><small>The figure indicates XOE-8216E-80 case about the No.8 and No.9 wire positions. XOE-8210E-80 case, No.8 and No.9 wire positions are opposite.</small></p>
<p>7. Torque stopper (Only for the specified models) P.15</p> <p><small>1: Parts Set, consist of No.2 & No.12 (Left and right bracket Set)</small></p>  <p><small>Parts No. 14-21</small></p>	<p>8. Battery and charger P.17</p> 	

FIG. 1 Wheel

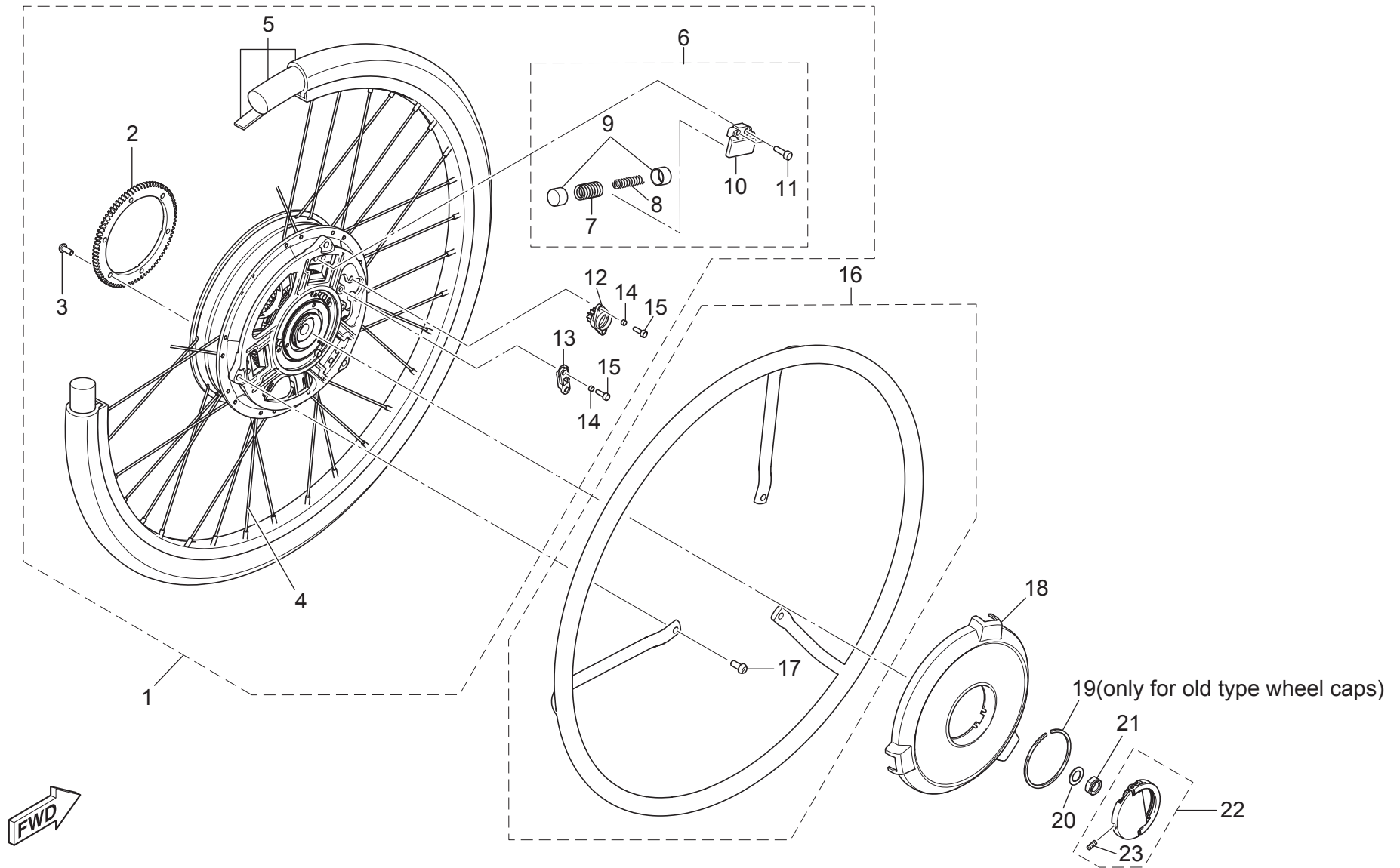


FIG. 1 Wheel

No.	Part Number	Part Name	Qty.	Application	Detail
1	X0E-2532N-A0	Left wheel assembly	1	H22E2-S	22 inch left wheel assembly, with 2 spring sets
	X0E-2532N-B0			A series, B24E2-S, C24E-S, D24E2, E series, F24E2, G series, H24E2-S, J series	24 inch left wheel assembly, with 2 spring sets, need to remove 1 set for C24E-S
	X0E-2533N-A0	Right wheel assembly	1	H22E2-S	22 inch right wheel assembly, with 2 spring sets
	X0E-2533N-B0			A series, B24E2-S, C24E-S, D24E2, E series, F24E2, G series, H24E2-S, J series	24 inch right wheel assembly, with 2 spring sets, need to remove 1 set for C24E-S
2	X0E-46328-00	• Gear 3, wheel	1		
3	92017-05012	• Bolt, hexagon socket button	6		To secure Gear wheel 3 (No.2). Tightening torque: 6.8 - 9.5 Nm
4	X0E-25304-00	• Rear spoke set	1	H22E2-S	For 22 inch normal tire models. 36 spokes and 36 nipples
	X0E-25304-10			A series, B24E2-S, C24E-S, D24E2, E series, F24E2, G series, H24E2-S, J series	For 24 inch wheel. 36 spokes and 36 nipples.
5	XA4-25308-G0	• Rear tire set	1	H22E2-S	22 inch normal tire, tube and rim band.
	XA4-25308-H0			A series, B24E2-S, C24E-S, D24E2, E series, F24E2, G series, H24E2-S, J series	24 inch normal tire, tube and rim band.
6	X0E-W2537-A0	• Spring set	1	C24E-S	
			2	A series, B24E2-S, D24E2, E series, F24E2, G series, H series, J series	Need to adjust Retainer (No.10) position when assembling. See service manual.
7	XA3-25357-50	•• Spring 1, lever return	1	C24E-S	
			2	A series, B24E2-S, D24E2, E series, F24E2, G series, H series, J series	Outer thick short spring. See service manual.
8	X0E-25358-00	•• Spring 2, lever return	1	C24E-S	
			2	A series, B24E2-S, D24E2, E series, F24E2, G series, H series, J series	Inner thin long spring. See service manual.
9	XA3-2531A-00	•• Stopper, damper	2	C24E-S	
			4	A series, B24E2-S, D24E2, E series, F24E2, G series, H series, J series	Plastic spring cap
10	X0E-2536A-01	•• Retainer	1	C24E-S	
			2	A series, B24E2-S, D24E2, E series, F24E2, G series, H series, J series	Aluminum spring cover. Need to adjust when assembling. See service manual.
11	91312-05016	•• Bolt, hexagon socket head	2	C24E-S	
			4	A series, B24E2-S, D24E2, E series, F24E2, G series, H series, J series	To secure Retainer. Tightening torque: 6.0 - 9.5 Nm See service manual.
12	X0E-25364-00	• Damper	1		
13	X0E-86152-00	• Arm, moving	1		

Qty. column indicates the quantity for the one side wheel

No indication of application column means common part for all variations

FIG. 1 Wheel

No.	Part Number	Part Name	Qty.	Application	Detail	
14	X0E-86535-00	• Collar	4		To secure Damper (No.12) and Arm (No.13).	
15	91317-04012	• Bolt, hexagon socket head	4		To secure Damper (No.12) and Arm (No.13). Tightening torque: 3.0 - 5.0 Nm	
16	X0E-2255A-00	Pipe assembly 1	1	H22E2-S (Selection)	22 inch stainless steel handrim with 3 assembling bolts (No.2)	
	X0E-2255A-50			22 inch plastic coated handrim with 3 assembling bolts (No.2)		
	X0E-2255A-10			A series, B24E2-S, C24E-S, D24E2, E series, F24E2, G series, H24E2-S (Selection), J series	24 inch stainless steel handrim with 3 assembling bolts (No.2)	
	X0E-2255A-60			24 inch plastic coated handrim with 3 assembling bolts (No.2)		
17	90111-06022	• Bolt, hexagon socket button	3		To secure Pipe assembly 1. Tightening torque: 9.0 - 12.0 Nm. Not reusable.	
18	X0E-2530B-C1	Wheel cap assembly	1	C24E-S	For specified models	
	X0E-2530B-D1			D24E2, E series, G series	Silver, without label	
	X0E-2530B-E1			F24E2	For specified models	New type wheel cap C clip (No.19) is not needed for assembling
	X0E-2530B-F1			A series	For specified models	
	X0E-2530B-G1			B24E2-S, J series	Black, without label	
	X0E-2530B-H1			H series	For specified models	
19	X0E-2536E-00	Clip, spring	1		C clip spring to secure only old type Wheel cap assemblies	
20	90201-12049	Washer, plain	1			
21	90185-12008	Nut, self locking	1		To secure Rear wheel assembly (Fig. 1 No.1). Tightening torque: 25 - 35 Nm. Not reusable.	
22	X0E-25350-01	Plate assembly	1		Handle plate for the unit detaching	
23	92A08-03012	• Screw, set	1		To secure the Plate assembly thread. Tightening torque: 0.8 - 1.1 Nm	

Qty. column indicates the quantity for the one side wheel

No indication of application column means common part for all variations

FIG. 2 Drive unit L/R common parts

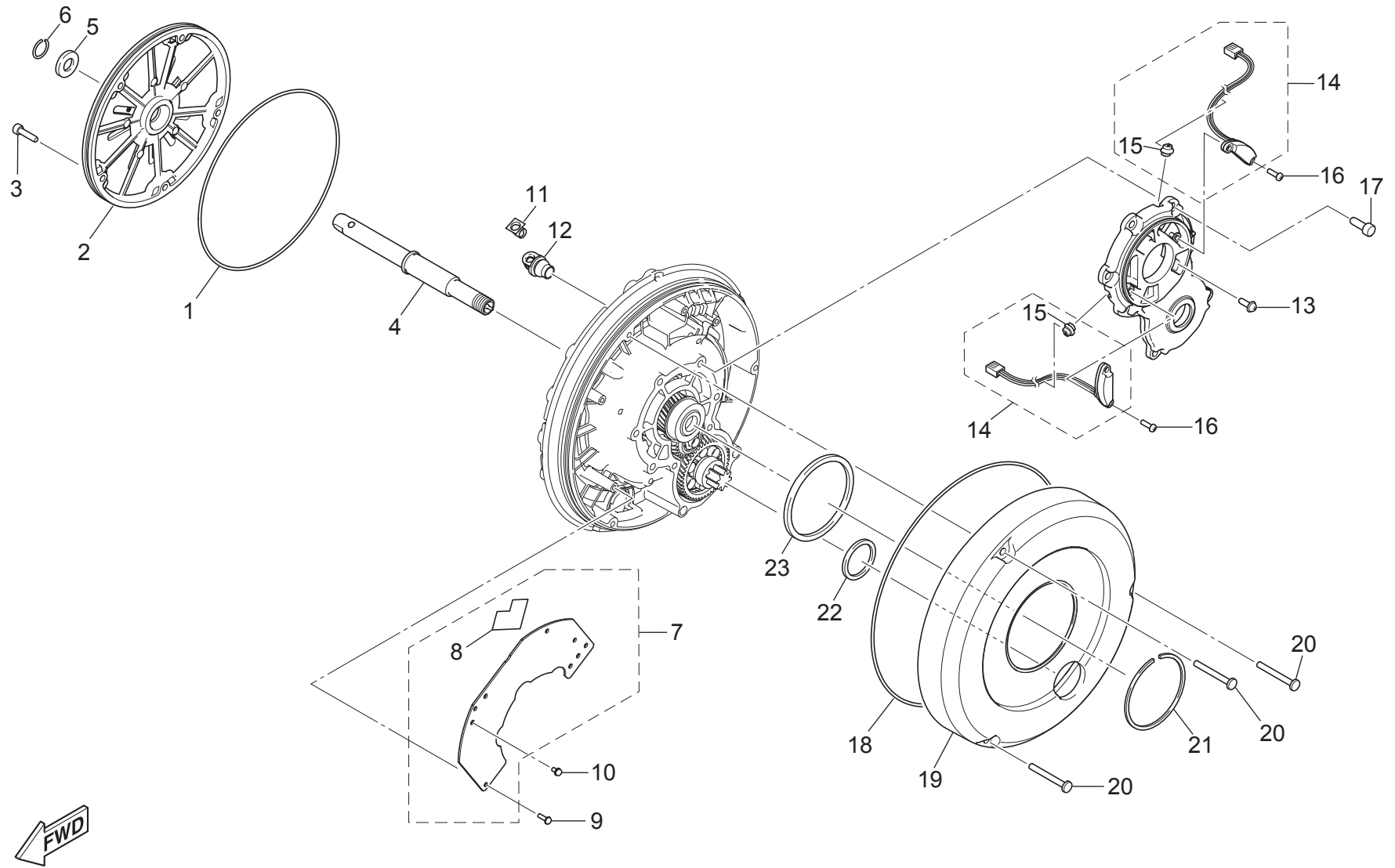


FIG. 2 Drive unit L/R common parts

No.	Part Number	Part Name	Qty.	Application	Detail
1	X0E-176F4-01	O-ring	1		For Housing assembly (No.2)
2	X0E-17810-00	Housing assembly	1	A series B24E2-S, D24E2, F24E2, G series,	Unit back plate with radial ribs, painted. Axle hole diameter: 12.7mm
	X0E-17810-10			C24E-S, E series	Unit back plate with radial ribs, painted. Axle hole diameter: 12.0mm
	X0E-17810-01			A series B24E2-S, D24E2, F24E2, G series, H series, J series	Unit back plate flat aluminum surface. Axle hole diameter: 12.7mm
	X0E-17810-11			C24E-S, E series	Unit back plate flat aluminum surface. Axle hole diameter: 12.0mm
3	91312-04016	Bolt, hexagon socket head	5		To secure Housing assembly (No.2). Tightening torque: 3.0 - 5.0 Nm
4	X0E-2530E-00	Rear axle assembly	1	G series	Detachable axle shaft $\phi 12.7 \times L46.0$
	X0E-2530E-A0			B24E2-S, F24E2, H series, J series	Detachable axle shaft $\phi 12.7 \times L55.5$
	X0E-2530E-B0			C24E-S, E series	Detachable axle shaft $\phi 12.0 \times L51.0$
	X0E-2530E-C0			A series, D24E2,	Detachable axle shaft $\phi 12.7 \times L51.0$
5	X0C-25383-00	Collar, wheel shaft	1	A series, D24E2	5mm thickness spacer washer
6	93440-12052	Circlip	1	A series, D24E2	To secure Collar, wheel shaft (No.5)
7	X0E-W8592-A1	Print board assembly 1	1	H22E2-S	Main electric board with heat releasing seat for 22inch model
	X0E-W8592-B1			A series, B24E2-S, C24E-S, D24E2, E series, F24E2, G series, H24E2-S, J series	Main electric board with heat releasing seat for 24inch model
8	X0E-85753-00	• Gasket	1		Gray heat releasing plastic seat, between Print board and unit housing
9	97607-03210	Screw, pan head with washer	4		Black screw, to secure Print board (No.5) to unit casing. Tightening torque: 0.4 - 0.6 Nm
10	97602-03306	Screw, pan head with washer	5		Metal plated screw, to connect wire terminals to Print board. Tightening torque: 0.4 - 0.6 Nm
11	XA3-8252K-00	Lens	1		LED lens
12	XA3-82545-00	Grommet	1		For Lens (No.9)
13	98580-04006	Screw, pan head (+)	1		Grease filling hole plug. Tightening torque: 2.0 - 3.0 Nm
14	X0E-83688-00	Sensor assembly	2		
15	X0E-8358X-00	• Grommet	2		Sensor wire seal
16	98580-03010	Screw, pan head	4		To secure Sensor assembly (No.12). Tightening torque: 0.4 - 0.6 Nm
17	91312-05014	Bolt, hexagon socket head	7		To secure gear cover case to unit housing. Tightening torque: 6.0 - 9.5 Nm. Keep tightening order.
18	X0E-46136-01	Seal 1	1		O-ring for Transparent Cover (No.17)
19	X0E-46313-00	Cover, transmission	1		Transparent plastic cover
20	98902-04035	Screw	3		To secure Transparent Cover. Tightening torque: 1.5 - 2.5 Nm
21	X0E-45319-00	Clip	1		C clip spring to secure only old type Transparent Cover
22	X0E-42721-00	Gasket 1	1		Urethane flat O-ring, small
23	X0E-42722-00	Gasket 2	1		Urethane flat O-ring, large

Qty. column indicates the quantity for the one side wheel

FIG. 3 Left unit fitting parts

No.	Part Number	Part Name	Qty.	Application	Detail
1	X0E-463A1-A3	Drive unit, left	1	H series	Drive unit with Wire harness Assembly (No.3, receptacle) and Shift assembly (No. 12, mode switch assembly)
	X0E-463A1-A8			B24E2-S	
	X0E-463A1-A9			F24E2, J series	
	X0E-463A1-B3			E series, C24E-S	
	X0E-463A1-C3			A series, D24E2	
	X0E-463A1-D2			G series	
2	X0E-463A3-A1	Drive unit base, left	1	H22E2-S	Drive unit with Wire harness Assembly (No.3, receptacle)
	X0E-463A3-E1			B24E2-S, F24E2, H24E2-S, J series	
	X0E-463A3-F1			C24E-S, E series	
	X0E-463A3-G1			A series, D24E2	
	X0E-463A3-H1	G series			
3	X0E-W8595-A0	Wire harness Assembly	1		Coupler box and wire assembly
4	X0E-81994-A0	• Label, safety	1		Warning label
5	X0E-8A8R1-00	• Label 1	1		'L' label
6	97707-30514	• Screw, pan head tapping	4		To secure Case to Coupler box bracket. Tightening torque: 0.6 - 0.8 Nm
7	95817-06025	Bolt, flange	2		To secure Wire harness assembly to Unit housing. Tightening torque: 8.0 - 13.0 Nm
8	90387-062M3	Collar	2		
9	90480-04610	Grommet	1	Models without Shift assembly 2	Rubber plug for coupler box bracket switch line hole
10	X0C-83599-00	Guide, wire	1		To hold Coupler box wire
11	91317-03008	Bolt, hexagon socket head	2		To secure Guide to Unit housing. Tightening torque: 0.4 - 0.7 Nm
12	X0E-46340-B0	Shift assembly 2	1	C24E-S, D24E2, E series, G series,	with (a) type angle bracket (No.13)
	X0E-46340-A0			A series, B24E2-S, F24E2, J series, H series	Optional mode switch assembly with (b) type angle bracket (No.13)
13	X0E-6831A-A0	• Switch sub-assembly	1		Mode switch main unit
14	X0E-82108-D0	• • Label	1		'MODE' label
15	X0E-46383-00	• Lever 2, shift	1	C24E-S, D24E2, E series, G series	Angle bracket (a)
	X0E-46383-10			A series, B24E2-S, F24E2, J series, H series	Angle bracket (b)
16	X0E-46396-00	• Arm, neutral	1		
17	92017-06010	• Bolt, button head	3		To assemble switch, arm and lever. Tightening torque: 8.0 - 12.0 Nm
18	92017-06016	• Bolt, button head	2		To fix arm neutral (No. 15) to drive unit. Tightening torque: 10.0 - 16.0 Nm

FIG. 4 Right unit fitting parts

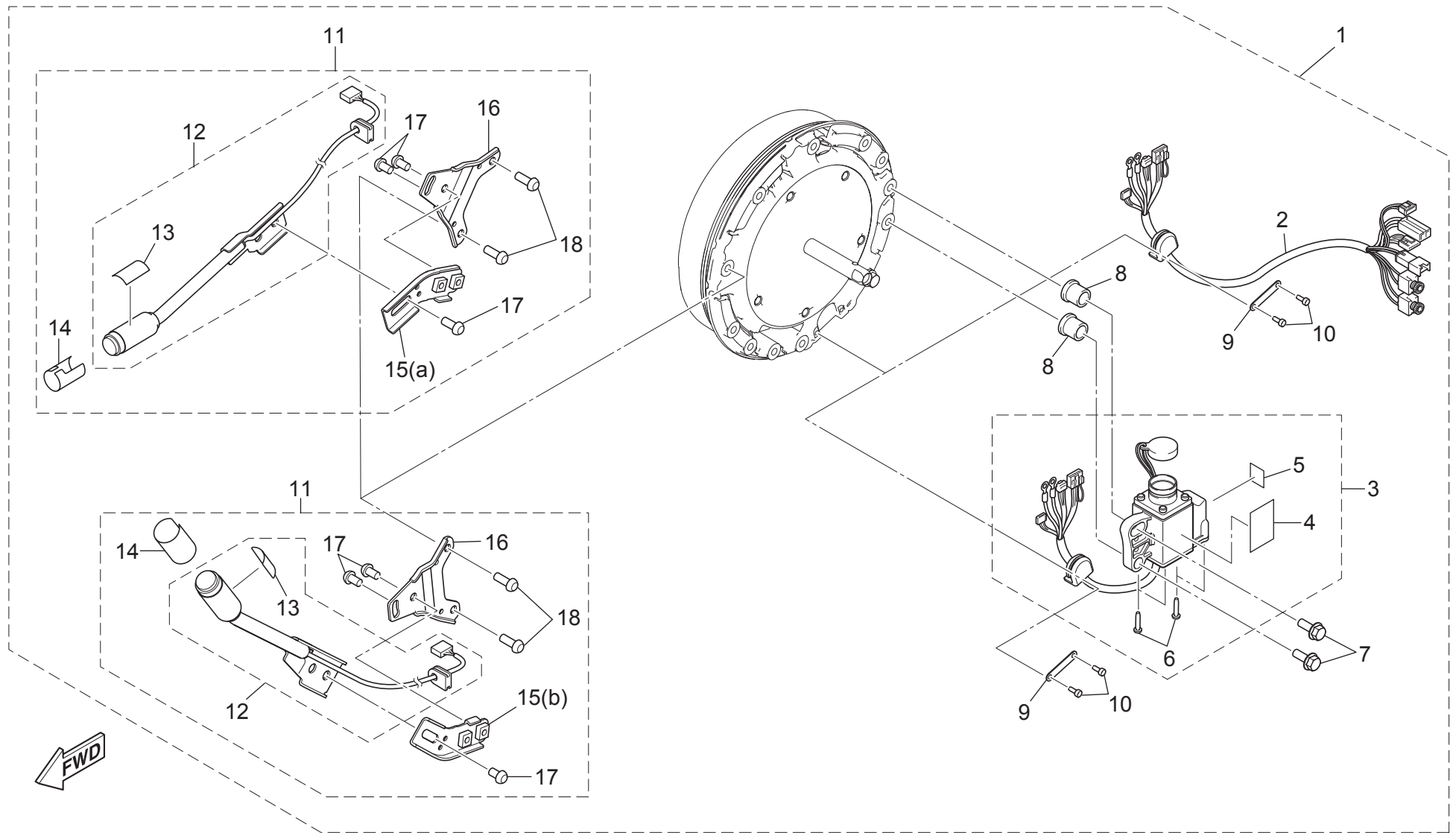


FIG. 4 Right unit fitting parts

No.	Part Number	Part Name	Qty.	Application	Detail	
1	X0E-463A4-K1	Drive unit base, right 1	1	E24E2	Right side drive unit with power switch, without battery seat	
	X0E-463A4-L1			D24E2		
	X0E-463A4-M1			G24E2		
	X0E-463A4-N1			F24E2, J24E2		
	X0E-463A4-R1			A24E2		
	X0E-463B4-E1	Drive unit base, right 2		H22E2-S	Right side drive unit with power switch and receptacle	
	X0E-463B4-K1			C24E-S, E24E2-S		
	X0E-463B4-M1			G24E2-S		
	X0E-463B4-N1			B24E2-S, H24E2-S, J24E2-S		
	X0E-463B4-R1			A24E2-S		
2	X0E-86526-00	Wire 6	1	A24E2, D24E2, E24E2, F24E2, G24E2, J24E2	Connecting wire from battery seat to drive unit for the fixed battery seat models	
3	X0E-W8259-A0	Wire harness assembly	1	A24E2-S, B24E2-S, C24E-S, E24E2-S G24E2-S, H series, J24E2-S	Right unit side receptacle assembly for the separated battery seat models	
4	X0E-81994-A0	• Label, safety	1		Warning label	
5	X0E-8A8R2-00	• Label 2	1		'R' label	
6	97707-30514	• Screw, pan head tapping (+)	4		To secure Case to Coupler box bracket. Tightening torque: 0.6 - 0.8 Nm	
7	95817-06025	Bolt, flange	2		To secure Wire harness assembly to Unit housing. Tightening torque: 8.0 - 13.0 Nm	
8	90387-062M3	Collar	2		To secure Wire harness assembly to Unit housing.	
9	X0C-83599-00	Guide, wire	1		To hold 'D' shape wire grommet	
10	91317-03008	Bolt, hexagon socket head	2		To secure Guide to Unit housing. Tightening torque: 0.4 - 0.7 Nm	
11	X0E-46370-B0	Shift assembly	1	C24E-S, D24E2, E series, G series	Power switch assembly	with (a) type angle bracket (No.14)
	X0E-46370-A0			A series, B24E2-S, F24E2, H series, J series		with (b) type angle bracket (No.14)
12	X0E-82016-A0	• Main switch sub-assembly	1		Power switch main unit	
13	X0E-82108-A0	• • Label	1		'Power' label	
14	X0E-82584-00	• Cap, switch	1		Switch guard, can be used for Mode switch	
15	X0E-46383-00	• Lever 2, shift	1	C24E-S, D24E2, E series, G series	Angle bracket (a)	
	X0E-46383-10			A series, B24E2-S, F24E2, H series, J series	Angle bracket (b)	
16	X0E-46396-00	• Arm neutral	1			
17	92017-06010	• Bolt, button head	3		To assemble switch, arm and lever. Tightening torque: 8.0 - 12.0 Nm	
18	92017-06016	• Bolt, button head	2		To secure arm neutral (No. 15) to drive unit. Tightening torque: 10.0 - 16.0 Nm	

FIG. 5 Battery Seat 1

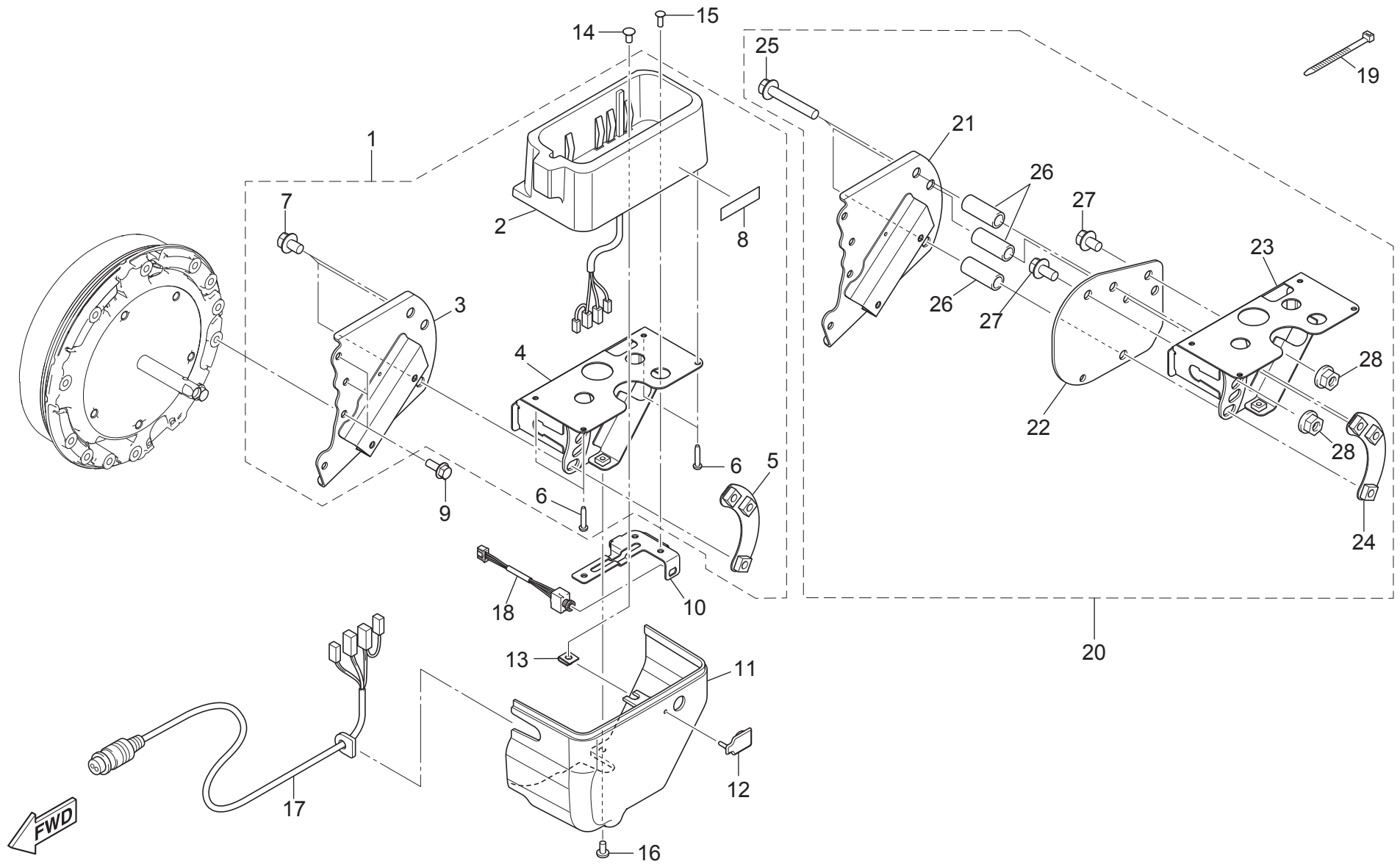
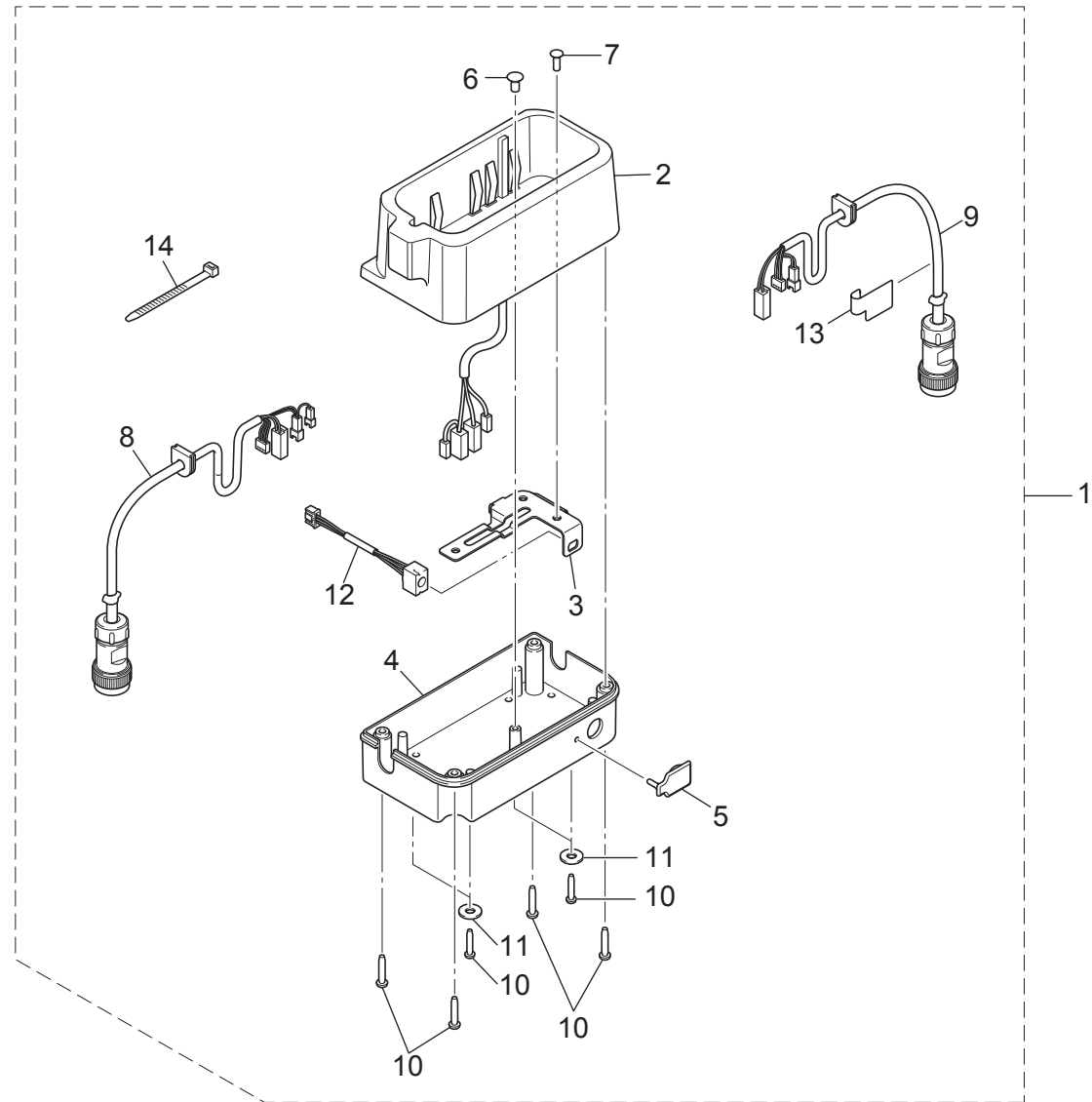
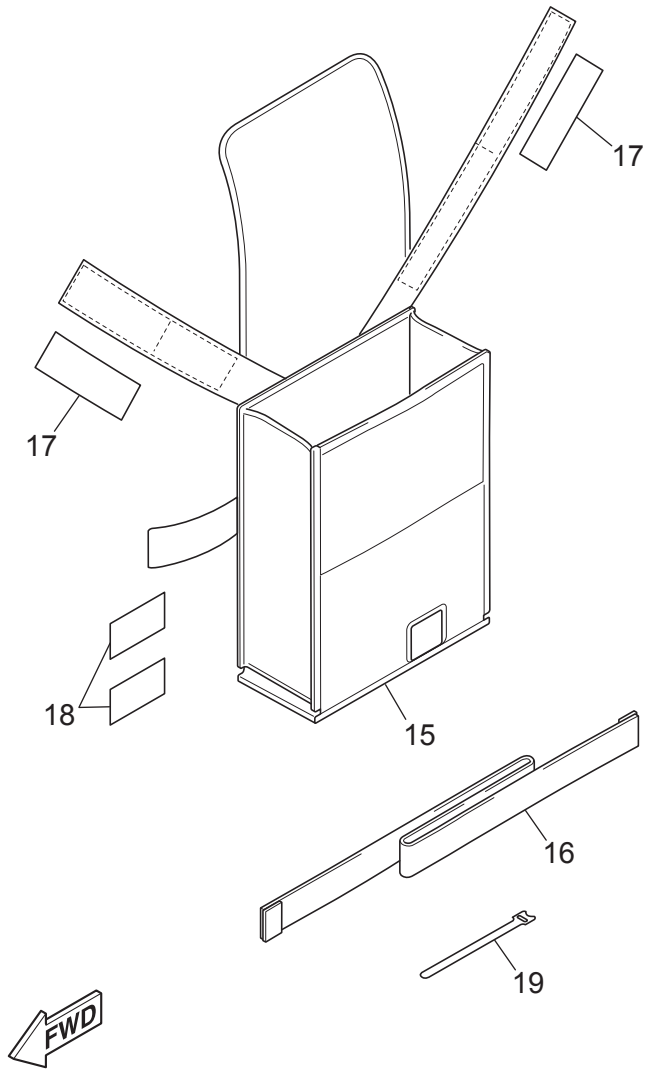


FIG. 5 Battery Seat 1

No.	Part Number	Part Name	Qty.	Application	Detail
1	X0E-821A1-A0	Seat battery assembly 1	1		
2	X0C-82102-03	• Battery seat assembly	1		
3	X0E-21393-00	• Bracket 1, battery box	1		Standard type, not for the offset kit
4	XA4-21394-00	• Bracket 2, battery box	1		
5	XA4-21395-00	• Bracket 3, battery box	1		
6	97707-40520	• Screw, pan head tapping	4		To secure Bracket 2 (No.4). Tightening torque: 1.6 - 2.0 Nm
7	95807-08012	• Bolt, flange	3		To assemble Bracket 1,2,3. Tightening torque: 8.5 - 14.0 Nm
8	X0C-2118K-A1	• Label, caution	1		
9	95817-06016	Bolt, flange	4		To secure Bracket 1 (No.3). Tightening torque: 8.0 - 13.0 Nm
10	X0E-82136-00	Plate, battery fitting	1		
11	X0E-2132H-00	Plate, cover	1		Battery seat under cover
12	X0E-82375-00	Cover, plug cap	1		Rubber cap for the Smart Tune cable jack
13	90183-05061	Nut, spring	1		Spring nut plate for Cover plate (No.11)
14	98707-05010	Screw, flat head (+)	1		To secure Cover plate (no.11) (upper side) Tightening torque: 2.0 - 3.5 Nm
15	98707-04012	Screw, flat head (+)	3		To secure Plate (No.10). Tightening torque: 1.0 - 2.0 Nm
16	98907-05010	Screw, binding head	1		To secure Cover plate (no.11) (lower side) Tightening torque: 2.0 - 3.5 Nm
17	X0E-87276-10	Coupler, control box	1		Left/right units connecting cable
18	X0E-85598-00	Connector, wire	1		Mini jack for Smart Tune cable
19	90464-15195	Clamp	1		To secure the wires inside of the battery seat. 165mm length
20	X0E-8210D-00	Battery bracket sub assembly	1	Option kit	Optional parts to offset the battery seat 32 mm
21	X0E-21393-10	• Bracket 1, battery box	1		Strengthen bracket 1 for offsetting the battery seat
22	X0E-2177T-00	• Plate, battery guide	1		To reinforce bracket 2. Thickness 2mm
23	X0E-21394-00	• Bracket 2, battery box	1		
24	XA4-21395-00	• Bracket 3, battery box	1		
25	95817-08045	• Bolt, flange	3		Tightening torque: 15.0 - 23.0 Nm
26	90387-080K6	• Collar	3		Offset color, 32mm length
27	95817-08014	• Bolt, flange	2		Tightning torque: 15.0 - 23.0 Nm
28	95607-08200	• Nut, U flange	2		

FIG. 5 'Battery Seat 1' parts apply to the models A24E2, D24E2, E24E2, F24E2, G24E2, J24E2

FIG. 6 Battery Seat 2



This figure indicates X0E-8210E-A0 case about the No.8 and No.9 wire positions. X0E-8210E-B0 case, No.8 and No.9 wire positions are opposite.

FIG. 6 Battery Seat 2

No.	Part Number	Part Name	Qty.	Application	Detail
1	X0E-8210E-A0	Battery box assembly	1	A24E2-S, B24E2-S, J24E2-S	Battery seat assembly for back seat position Hanger bag. Wire length 490mm both.
	X0E-8210E-B0			C24E-S	Battery seat assembly for under seat position Hanger bag. Wire length 720mm both.
	X0E-8210E-C0			D24E2-S, E24E2-S, G24E2-S	Battery seat assembly for back seat position Hanger bag. Wire length 490mm both.
	X0E-8210E-D0			H series	Battery seat assembly for back seat position Hanger bag. Wire length 490mm both.
2	X0C-82102-03	• Battery seat assembly	1		
3	X0E-82136-00	• Plate, battery fitting	1		
4	X0E-83723-00	• Case, lower	1		
5	X0E-82375-00	• Cover, plug cap	1		Rubber cap for the Smart Tune cable jack
6	90161-05006	• Screw, countersunk tapping	1		Tightening torque: 2.0 - 3.5 Nm
7	98707-04012	• Screw, flat head (+)	3		To secure Plate (No.3). Tightening torque: 1.0 - 2.0 Nm
8	X0E-87276-10	• Coupler, control box	1	A24E2-S, B24E2-S, C24E-S H series, J24E2-S	Connecting cable (Battery seat to Left drive unit) 650mm
	X0E-87276-A0			D24E2-S, E24E2-S, G24E2-S	Connecting cable (Battery seat to Left drive unit) 750mm
9	X0E-8183H-00	• Coupler	1	A24E2-S, B24E2-S, C24E-S H series, J24E2-S	Connecting cable (Battery seat to Right drive unit) 575mm
	X0E-8183H-A0			D24E2-S, E24E2-S, G24E2-S	Connecting cable (Battery seat to Right drive unit) 750mm
10	97707-40520	• Screw, pan head tapping	8		4 pcs to secure the Lower case (No.4), 4 pcs to secure Hanger bag (No. 14). Tightening torque: 1.6 - 2.0 Nm
11	90201-043H5	• Washer, plain	4		To secure Lower case (No.4) to Hanger bag (No. 14) with Tapping screw (No. 10)
12	X0E-85598-00	• Connector, wire	1	A24E2-S, B24E2-S, C24E-S H series, J24E2-S	Mini jack for Smart Tune cable
	X0E-85598-A0			D24E2-S, E24E2-S, G24E2-S	
13	X0E-2118K-A0	LABEL, CAUTION	1		'Read Manual' label in English and German
	X0E-2118K-A1				'Read Manual' label in English and French
14	90464-15195	• Clamp	1		To secure the wires inside of Lower case (No.4). 165mm length
15	X0E-2473M-B0	Hanger bag	1	A24E2-S, B24E2-S, J24E2-S	Battery bag
16	X0E-46241-00	• Belt	1	A24E2-S, B24E2-S, J24E2-S	1300×25mm fastener belt
17	X0E-63635-00	• Tape, Fitting	2	A24E2-S, B24E2-S, J24E2-S	100×50mm male/male fastener belt
18	X0E-64178-00	• Tape	2	A24E2-S, B24E2-S, J24E2-S	100×50mm male/female fastener belt
19	X0E-83725-00	Tape	2	A24E2-S, B24E2-S, J24E2-S	To secure the Connecting cables

FIG. 7 Torque stopper (Only for the specified models)

1 : Parts Set, consist of No.2 & No.12
(Left and right bracket Set)

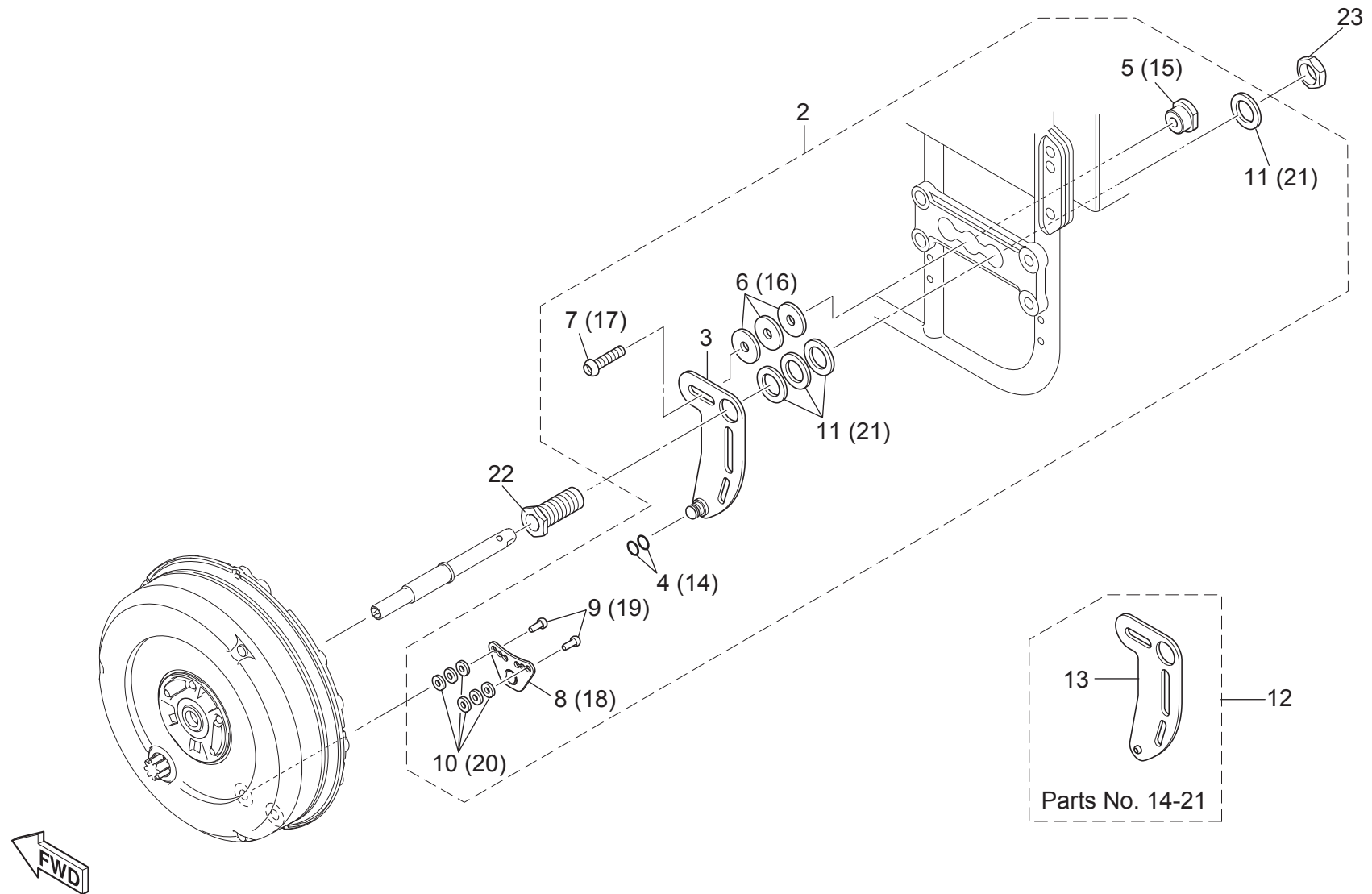


FIG. 7 Torque stopper (Only for the specified models)

No.	Part Number	Part Name	Qty.	Application	Detail
1	X0E-48903-A0	Parts Set 3	1	A series	X0E-43101-D0 + X0E-43102-D0 Left and right bracket set
	X0E-48903-B0			B24E2-S, F24E2, H series	X0E-43101-A0 + X0E-43102-A0 Left and right bracket set
	X0E-48903-C0			C24E-S	X0E-43101-C0 + X0E-43102-C0 Left and right bracket set
	X0E-48903-D0				X0E-43101-B0 + X0E-43102-B0 Left and right bracket set
	X0E-48903-E0			J series	X0E-43101-D0 + X0E-43102-D0 Left and right bracket set
2	X0E-43101-A0	• Clamp bracket assembly 1	1	B24E2-S, F24E2, H series	Left side torque stopper bracket set. Sleeve hole diameter ϕ 19.2
	X0E-43101-B0				Left side torque stopper bracket set. Sleeve hole diameter ϕ 16.2
	X0E-43101-C0			C24E-S option	Left side torque stopper bracket set. Sleeve hole diameter ϕ 18.2
	X0E-43101-D0			A series, J series	Left side torque stopper bracket set. Sleeve hole diameter ϕ 18.2
3	X0E-22274-A0	•• Stopper arm	1	B24E2-S, F24E2, H series	Frame side left bracket arm. Sleeve hole diameter ϕ 19.2
	X0E-22274-B0				Frame side left bracket arm. Sleeve hole diameter ϕ 16.2
	X0E-22274-10			A series, C24E-S, J series	Frame side left bracket arm. Sleeve hole diameter ϕ 18.2
4(14)	93210-08006	•• O-ring	2(2)		For Stopper arm pin
5(15)	XA4-22197-00	•• Boss 2	1(1)	B24E2-S, F24E2, H series	Outer dia. (large) ϕ 22, outer dia. (small) ϕ 16, face width 19
	X0E-22197-10			A series, C24E-S, J series	Outer dia. (large) ϕ 26, outer dia. (small) ϕ 18, face width 22
6(16)	90201-083A8	•• Washer, plain	3(3)		Adjusting washer. Outer diameter ϕ 28, hole diameter ϕ 8.5, t=3.2
7(17)	90111-08025	•• Bolt, hexagon socket head	1(1)		Stopper arm fixing bolt. Tightening torque: 8.5 - 12.0 Nm
8(18)	X0E-28216-00	•• Plate 1, lock	1(1)		Drive unit side lock plate
9(19)	92017-06016	•• Bolt, button head	2(2)		To fix Plate, lock 1. Tightening torque: 8.5 - 12.0 Nm
10(20)	90201-06557	•• Washer	6(6)		Adjusting washer. Outer diameter ϕ 18, hole diameter ϕ 6.2 t=1.6
11(21)	90201-18020	•• Washer, plain	4(4)		Adjusting washer. Outer diameter ϕ 35, hole diameter ϕ 18.5 t=3.2
	90201-16018				Adjusting washer. Outer diameter ϕ 27, hole diameter ϕ 16.5 t=3.2
12	X0E-43102-A0	• Clamp bracket assembly 2	1	B24E2-S, F24E2, H series	Right side torque stopper bracket set. Sleeve hole diameter ϕ 19.2
	X0E-43102-B0				Right side torque stopper bracket set. Sleeve hole diameter ϕ 16.2
	X0E-43102-C0			C24E-S option	Right side torque stopper bracket set. Sleeve hole diameter ϕ 18.2
	X0E-43102-D0			A series, J series	Right side torque stopper bracket set. Sleeve hole diameter ϕ 18.2
13	X0E-22294-A0	•• Stopper arm 2	1	B24E2-S, F24E2, H series	Frame side right bracket arm. Sleeve hole diameter ϕ 19.2
	X0E-22294-B0				Frame side right bracket arm. Sleeve hole diameter ϕ 16.2
	X0E-22294-10			A series, J series	Frame side right bracket arm. Sleeve hole diameter ϕ 18.2
22	XA3-43131-01	Bolt, clamp bracket	2	A series	Axle sleeve ϕ 12.7 x 46mm M18 outer thread, Total length 48mm
	XA3-43131-11				Axle sleeve ϕ 12.7 x 46mm M16 outer thread, Total length 46mm
	XA3-43131-20				Axle sleeve ϕ 12.7 x 46mm M18 outer thread, Total length 66.5mm
	XA4-43131-G0				Axle sleeve ϕ 12.0 x 46mm M16 outer thread, Total length 46mm
23	90170-16425	Nut, Hexagon	2		Nut to secure M16 axle sleeve (No.22)
	90170-18165				Nut to secure M18 axle sleeve (No.22)

FIG. 8 Battery and charger

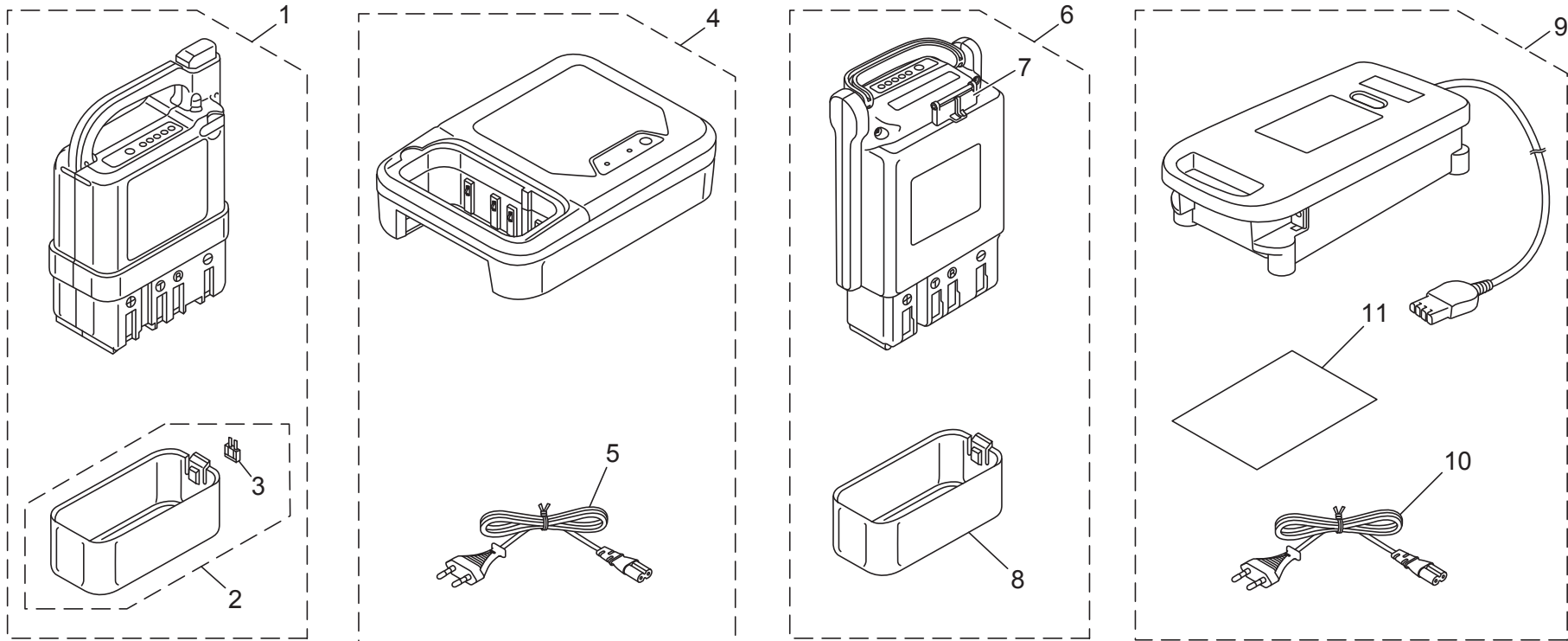


FIG. 8 Battery and charger

No.	Part Number	Part Name	Qty.	Application	Detail
1	XA4-82100-A6	Battery assembly 2	1	C24E-S	Ni-MH battery for the specified model
	XA4-82100-B1			A series, J series	Ni-MH battery for the specified models
	XA4-82100-G5			D24E2, E series, F24E2, G series	Ni-MH battery for the specified models
	XA4-82100-J3			B24E2-S, H series	Ni-MH battery for the specified models
2	XA4-82160-10	• Battery cover assembly	1		Plastic terminal cover with backup fuse (No.3) for Ni-MH battery
3	5JJ-82151-20	• • Fuse	1		Backup battery fuse
4	XA4-82107-A3	Charger, battery	1	C24E-S	Ni-MH battery charger for the specified models
	XA4-82107-B0			J series	Ni-MH battery charger for the specified models
	XA4-82107-G3			D24E2, E series, F24E2, G series	Ni-MH battery charger for the specified models
	XA4-82107-J4			B24E2-S, H series	Ni-MH battery charger for the specified models
	XA4-82107-N3			A series	Ni-MH battery charger for the specified models
5	XA4-87209-A0	• Charging cord assembly	1	C24E-S, D24E2, E series, F24E2, G series	Power cord for Ni-MH battery charger (EU plug)
	XA4-87209-J1			B24E2-S, H series, J series	Power cord for Ni-MH battery charger (US plug)
	XA4-87209-N0			A series	Power cord for Ni-MH battery charger (AU plug)
6	X0C-82100-B1	Battery assembly 2	1	B24E2-S, D24E2, E series, F24E2, G series, H series, J series	Li-ion Battery
	X0C-82100-C1			C24E-S	Li-ion Battery for the specified models
7	X0C-82371-11	• Cap, plug	1		Charge jack lid
8	XA4-82129-00	• Cover, battery	1		Plastic terminal cover for Li-ion battery
9	X0C-8210C-B0	Battery charger assembly	1	C24E-S, D24E2, E series, F24E2, G series	Charger for Li-ion battery with EU plug cord
	X0C-8210C-C0			B24E2-S, H series, J series	Charger for Li-ion Battery with US plug cord
10	X0C-87132-B0	• Cord assembly 2	1	C24E-S, D24E2, E series, F24E2, G series	Power cord for Li-ion battery charger (EU plug)
	X0C-87132-C0			B24E2-S, H series, J series	Power cord for Li-ion battery charger (US plug)
11	X0C-8210A-00	• Manual, installation	1		

Index (Part Numbers)

Part number	Ref. No.	Part number	Ref. No.	Part number	Ref. No.	Part number	Ref. No.	Part number	Ref. No.
5JJ-82151-20	8-3	95817-06016	5-9	X0E-2118K-A0	6-13	X0E-25364-00	1-12	X0E-463A3-F1	3-2
90111-06022	1-17	95817-06025	3-7	X0E-2118K-A1	6-13	X0E-2536A-01	1-10	X0E-463A3-G1	3-2
90111-08025	7-7(17)	95817-06025	4-7	X0E-2132H-00	5-11	X0E-2536E-00	1-19	X0E-463A3-H1	3-2
90161-05006	6-6	95817-08014	5-27	X0E-21393-00	5-3	X0E-28216-00	7-8(18)	X0E-463A4-K1	4-1
90170-16425	7-23	95817-08045	5-25	X0E-21393-10	5-21	X0E-42721-00	2-22	X0E-463A4-L1	4-1
90170-18165	7-23	97602-03306	2-10	X0E-21394-00	5-23	X0E-42722-00	2-23	X0E-463A4-M1	4-1
90183-05061	5-13	97607-03210	2-9	X0E-2177T-00	5-22	X0E-43101-A0	7-2	X0E-463A4-N1	4-1
90185-12008	1-21	97707-30514	3-6	X0E-22197-10	7-5(15)	X0E-43101-B0	7-2	X0E-463A4-R1	4-1
90201-043H5	6-11	97707-30514	4-6	X0E-22274-10	7-3	X0E-43101-C0	7-2	X0E-463B4-E1	4-1
90201-06557	7-10(20)	97707-40520	5-6	X0E-22274-A0	7-3	X0E-43101-D0	7-2	X0E-463B4-K1	4-1
90201-083A8	7-6(16)	97707-40520	6-10	X0E-22274-B0	7-3	X0E-43102-A0	7-12	X0E-463B4-M1	4-1
90201-12049	1-20	98580-03010	2-16	X0E-22294-10	7-13	X0E-43102-B0	7-12	X0E-463B4-N1	4-1
90201-16018	7-11(21)	98580-04006	2-13	X0E-22294-A0	7-13	X0E-43102-C0	7-12	X0E-463B4-R1	4-1
90201-18020	7-11(21)	98707-04012	5-15	X0E-22294-B0	7-13	X0E-43102-D0	7-12	X0E-48903-A0	7-1
90387-062M3	3-8	98707-04012	6-7	X0E-2255A-00	1-16	X0E-45319-00	2-21	X0E-48903-B0	7-1
90387-062M3	4-8	98707-05010	5-14	X0E-2255A-10	1-16	X0E-46136-01	2-18	X0E-48903-C0	7-1
90387-080K6	5-26	98902-04035	2-20	X0E-2255A-50	1-16	X0E-46241-00	6-16	X0E-48903-D0	7-1
90464-15195	5-19	98907-05010	5-16	X0E-2255A-60	1-16	X0E-46313-00	2-19	X0E-48903-E0	7-1
90464-15195	6-14	X0C-2118K-A1	5-8	X0E-2473M-B0	6-15	X0E-46328-00	1-2	X0E-63635-00	6-17
90480-04610	3-9	X0C-25383-00	2-5	X0E-25304-00	1-4	X0E-46340-A0	3-12	X0E-64178-00	6-18
91312-04016	2-3	X0C-82100-B1	8-6	X0E-25304-10	1-4	X0E-46340-B0	3-12	X0E-6831A-A0	3-13
91312-05014	2-17	X0C-82100-C1	8-6	X0E-2530B-C1	1-18	X0E-46370-A0	4-11	X0E-8183H-00	6-9
91312-05016	1-11	X0C-82102-03	5-2	X0E-2530B-D1	1-18	X0E-46370-B0	4-11	X0E-8183H-A0	6-9
91317-03008	3-11	X0C-82102-03	6-2	X0E-2530B-E1	1-18	X0E-46383-00	3-15	X0E-81994-A0	3-4
91317-03008	4-10	X0C-8210A-00	8-11	X0E-2530B-F1	1-18	X0E-46383-00	4-15	X0E-81994-A0	4-4
91317-04012	1-15	X0C-8210C-B0	8-9	X0E-2530B-G1	1-18	X0E-46383-10	3-15	X0E-82016-A0	4-12
92017-05012	1-3	X0C-8210C-C0	8-9	X0E-2530B-H1	1-18	X0E-46383-10	4-15	X0E-82108-A0	4-13
92017-06010	3-17	X0C-82371-11	8-7	X0E-2530E-00	2-4	X0E-46396-00	3-16	X0E-82108-D0	3-14
92017-06010	4-17	X0C-83599-00	3-10	X0E-2530E-A0	2-4	X0E-46396-00	4-16	X0E-8210D-00	5-20
92017-06016	3-18	X0C-83599-00	4-9	X0E-2530E-B0	2-4	X0E-463A1-A3	3-1	X0E-8210E-A0	6-1
92017-06016	4-18	X0C-87132-B0	8-10	X0E-2530E-C0	2-4	X0E-463A1-A8	3-1	X0E-8210E-B0	6-1
92017-06016	7-9(19)	X0C-87132-C0	8-10	X0E-2532N-A0	1-1	X0E-463A1-A9	3-1	X0E-8210E-C0	6-1
92A08-03012	1-23	X0E-176F4-01	2-1	X0E-2532N-B0	1-1	X0E-463A1-B3	3-1	X0E-8210E-D0	6-1
93210-08006	7-4(14)	X0E-17810-00	2-2	X0E-2533N-A0	1-1	X0E-463A1-C3	3-1	X0E-82136-00	5-10
93440-12052	2-6	X0E-17810-01	2-2	X0E-2533N-B0	1-1	X0E-463A1-D2	3-1	X0E-82136-00	6-3
95607-08200	5-28	X0E-17810-10	2-2	X0E-25350-01	1-22	X0E-463A3-A1	3-2	X0E-821A1-A0	5-1
95807-08012	5-7	X0E-17810-11	2-2	X0E-25358-00	1-8	X0E-463A3-E1	3-2	X0E-82375-00	5-12

Part number	Ref. No.	Part number	Ref. No.
X0E-82375-00	6-5	XA4-82100-A6	8-1
X0E-82584-00	4-14	XA4-82100-B1	8-1
X0E-8358X-00	2-15	XA4-82100-G5	8-1
X0E-83688-00	2-14	XA4-82100-J3	8-1
X0E-83723-00	6-4	XA4-82107-A3	8-4
X0E-83725-00	6-19	XA4-82107-B0	8-4
X0E-85598-00	5-18	XA4-82107-G3	8-4
X0E-85598-00	6-12	XA4-82107-J4	8-4
X0E-85598-A0	6-12	XA4-82107-N3	8-4
X0E-85753-00	2-8	XA4-82129-00	8-8
X0E-86152-00	1-13	XA4-82160-10	8-2
X0E-86526-00	4-2	XA4-87209-A0	8-5
X0E-86535-00	1-14	XA4-87209-J1	8-5
X0E-87276-10	5-17	XA4-87209-N0	8-5
X0E-87276-10	6-8		
X0E-87276-A0	6-8		
X0E-8A8R1-00	3-5		
X0E-8A8R2-00	4-5		
X0E-W2537-A0	1-6		
X0E-W8259-A0	4-3		
X0E-W8592-A1	2-7		
X0E-W8592-B1	2-7		
X0E-W8595-A0	3-3		
XA3-2531A-00	1-9		
XA3-25357-50	1-7		
XA3-43131-01	7-22		
XA3-43131-11	7-22		
XA3-43131-20	7-22		
XA3-8252K-00	2-11		
XA3-82545-00	2-12		
XA4-21394-00	5-4		
XA4-21395-00	5-5		
XA4-21395-00	5-24		
XA4-22197-00	7-5(15)		
XA4-25308-G0	1-5		
XA4-25308-H0	1-5		
XA4-43131-G0	7-22		