

Flamingo

Exploded views / Part lists

Rev. date (2023.05)

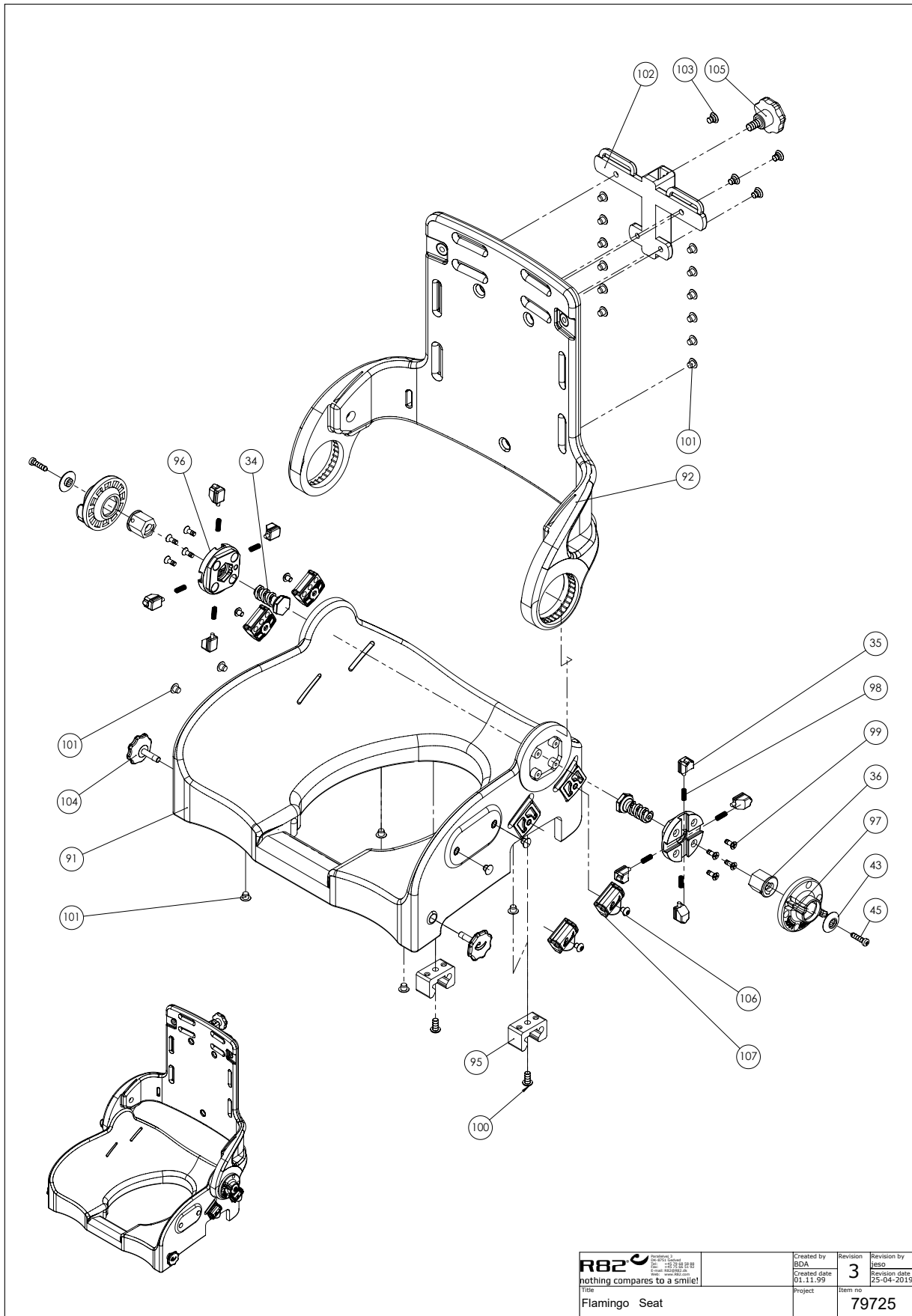
On the following pages you will find the parts used to assemble this product. Please note that some spare parts cannot be purchased individually but are part of a complete kit. Please also note that for some spare parts extra delivery time may occur.



Contents

Seat & Back (size 1 , 2, 3 & 4).....	3
Item numbers for the Seat & Back (size 1 , 2, 3 & 4).....	4
Frame.....	5
Item numbers for the Frame.....	6
Accessories.....	8
Item numbers for Accessories.....	9
Arm rest	11
Item numbers for Armrest (880152)	12
Foot support	13
Item numbers for Foot support (880199)	14
Potty frame size 1 & 2	15
Item numbers for Potty frame (880160-1 & 880160-2)	16
Back extension for sizes 1+2 (880118).....	17
Item numbers for Back extension for sizes 1+2 (880118)	18
Back extension for sizes 3+4 (880119)).....	19
Item numbers for Back extension for sizes 3+4 (880119)	20

Seat & Back (size 1 , 2, 3 & 4)

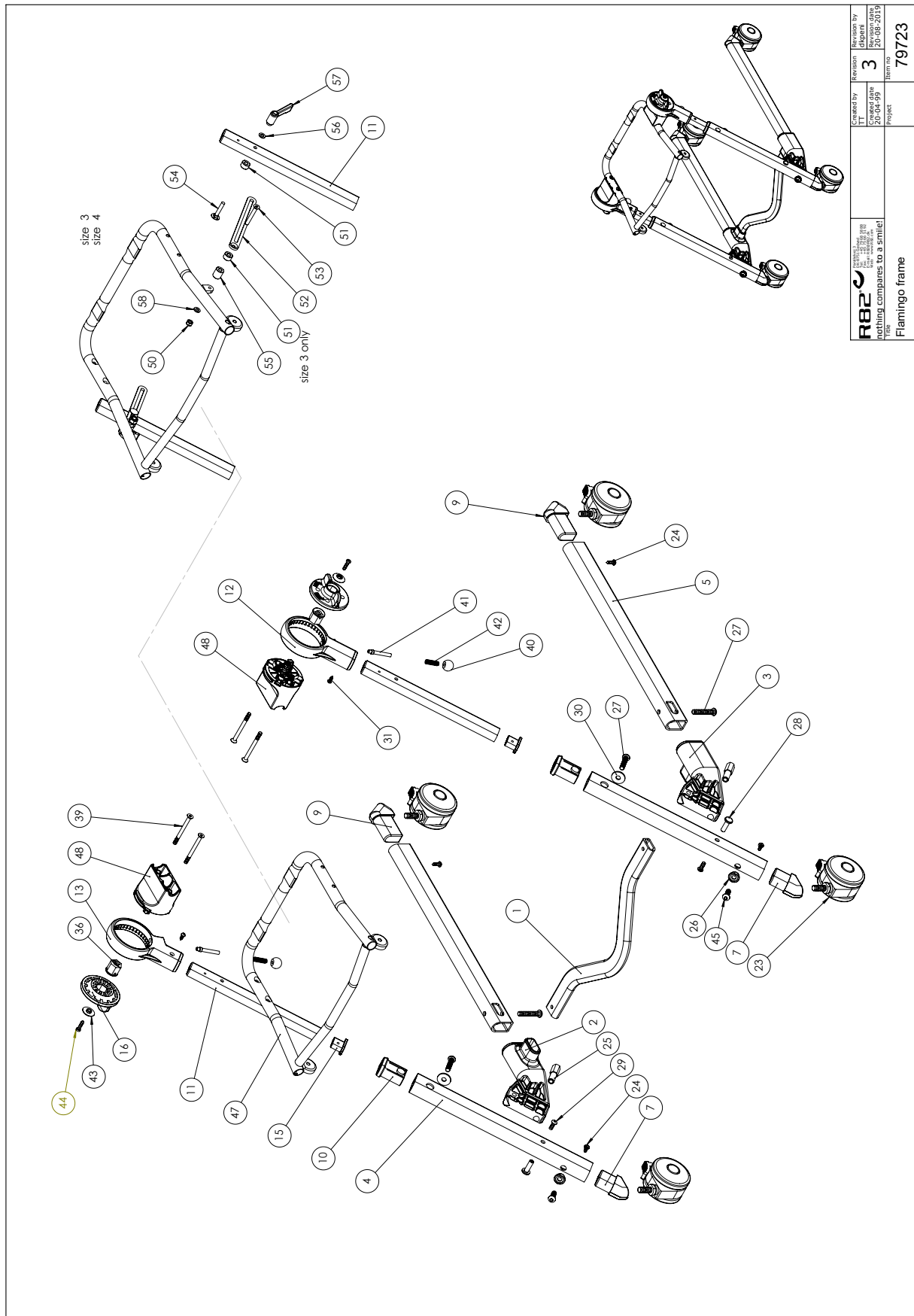


 nothing compares to a smile! Title Flamingo Seat	Revision 2 01.11.09 12 75 66 51 92 E-mail: R82@etac.com www.r82.dk	Created by BDA	Revision 3	Revision by jeso
	Created date 01.11.09	Project	Item no 79725	Revision date 25-04-2019

Item numbers for the Seat & Back (size 1 , 2, 3 & 4)

Position	No.	Description	Quantity	Unit of Measure	Ean code
34	71136	Thread spindle, Flamingo	PCS	1	5707292104410
35	71133	T-flange, Flamingo	PCS	4	5707292104380
36	71128	Thread nut for angle adj.	PCS	2	5707292104359
43	71164	Knob Ø23, 5 for handle	PCS	2	5707292104540
45	1811112	Sheet metal screw 4,8x19 phx	PCS	2	5707292452184
91*	71302-1	Flamingo Seat shell, size 1	PCS	1	5707292629401
	71303-1	Flamingo Seat shell, size 2	PCS	1	5707292629418
	71304-1	Flamingo Seat shell, size 3	PCS	1	5707292629425
	71305-1	Flamingo Seat shell, size 4	PCS	1	5707292629432
92*	71312	Flamingo back shell, size 1	PCS	1	5707292105028
	71313	Flamingo back shell, size 2	PCS	1	5707292105035
	71314	Flamingo back shell, size 3	PCS	1	5707292105042
	71315	Flamingo back shell, size 4	PCS	1	5707292105059
95	102429	SEATLOCK FOR FLAMINGO	PCS	2	5707292562036
96	71146	T-flange, Flamingo	PCS	1	5707292104434
97	71144	Hand wheel, Flamingo	PCS	2	5707292104427
98	0310124	Rf.spring 0.5x5.2x11mm	PCS	4	5707292135568
99	1940038	ECO-SYN UH Ø4X14	PCS	8	5707292465597
100	0659200	Button head screw 6x12 stainl.	PCS	2	5707292139436
101	1310536	Covering button,white 13x5,0mm	PCS	16	5707292397911
102	81138-90	Mounting for neck support	PCS	1	5707292227157
103	0609727	Stainless insex 6x12 uh	PCS	4	5707292138484
104	112708	Knob for Seat m6x23	PCS	2	5707292604286
105	3501050	Star grip Ø40 M8x15mm white	PCS	1	5707292146717
106	0631952	Button head M5x6, rf tufflok	PCS	4	5707292503725
107	110202	Snap Lock R82-25 With ø6	PCS	4	5707292575913
* choose size/color					

Frame



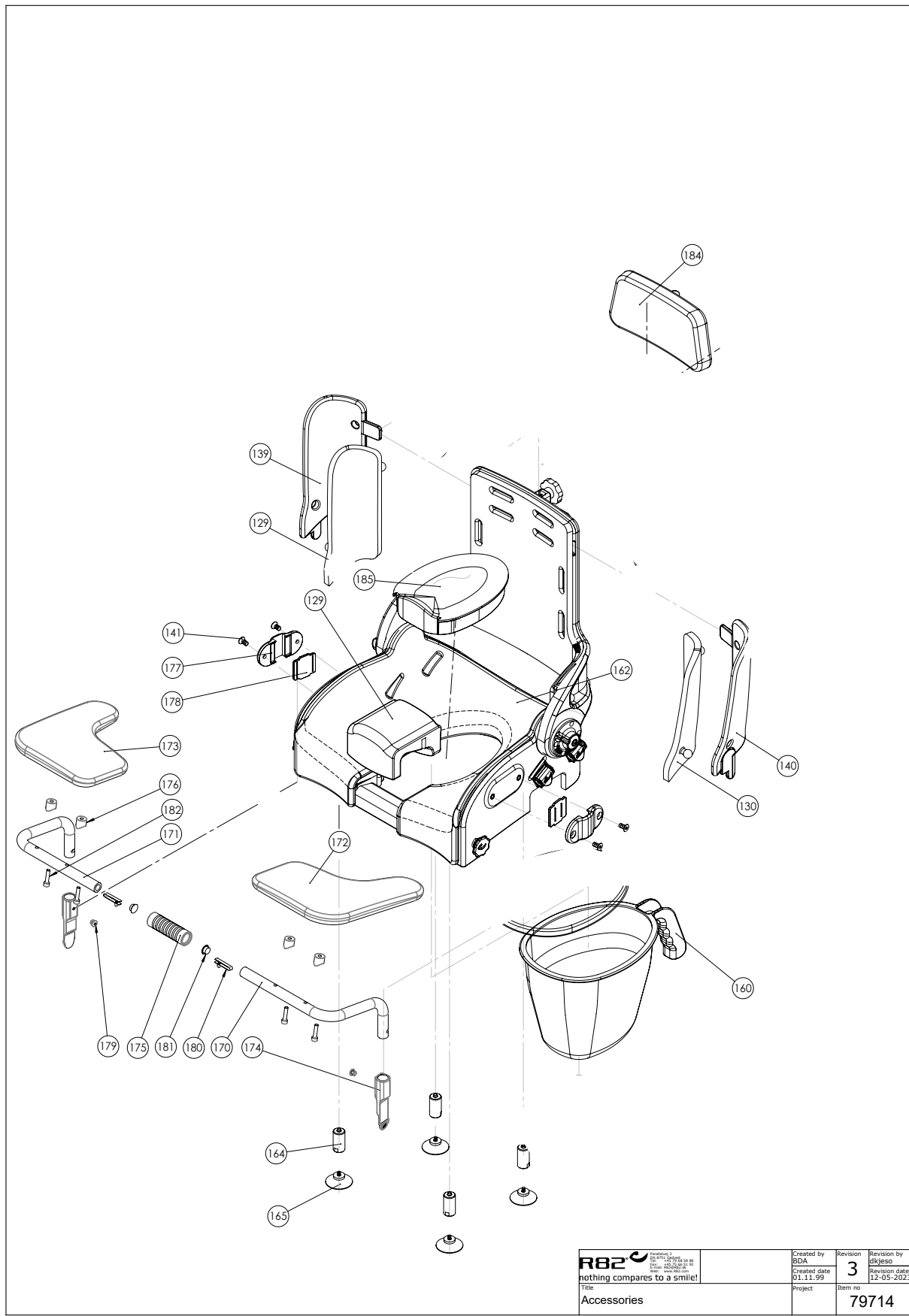
Item numbers for the Frame

Position	No.	Description		Quantity	Unit of Measure	Ean code
1*	880145	Distance part for Flamingo 1	Curved	1	PCS	5707292369000
	880146	Distance part for Flamingo 2	Curved	1	PCS	5707292369017
	880147-1	Distance part for Flamingo 3	Curved	1	PCS	5707292607720
	71352	Distance bar, Flamingo size 1		1	PCS	5707292105264
	880148	Distance part for Flamingo 4	Curved	1	PCS	5707292369031
	71353	Distance bar, Flamingo size 2		1	PCS	5707292105271
	880147	Distance part for Flamingo 3	Curved	1	PCS	5707292369024
	71354	Distance bar, Flamingo size 3		1	PCS	5707292105288
	71355	Distance bar, Flamingo size 4		1	PCS	5707292105295
	880148-1	Distance part for Flamingo 4	Curved	1	PCS	5707292607737
2	71141	Tiltmounting Flamingo	Right side	1	PCS	5707292411181
3	71142	Tiltmounting Flamingo	Left side	1	PCS	5707292411198
4	71152	Sidepiece for heightadjustment		1	PCS	5707292104489
5	71151	Side piece, horizontal		1	PCS	5707292104472
7	71103	Mounting f/ front wheel	Flamingo	1	PCS	5707292104106
9	71104	Mounting for rear wheel	Flamingo	1	PCS	5707292104113
10	71109	Steering bush for height adj.		1	PCS	5707292104168
11	71154	Bar for height adjust,sz 3+4		1	PCS	5707292104502
12	71121	Housing Left	Flamingo	1	PCS	5707292104281
13	71120	Housing Right	Flamingo	1	PCS	5707292104274
15	71108	Ferrule and slider, Flamingo		1	PCS	5707292104151
16	71129	Handwheel o75, Flamingo		1	PCS	5707292104366
23*	3006830	75mm white steinco wheel	With brake	4	PCS	5707292368560
	3006955	100mm double wheel, white		4	PCS	5707292601872
24	1811112	Sheet metal screw 4,8x19 phx		2	PCS	5707292452184
25	71162	M8 hexagon bush f.left sidepcs		1	PCS	5707292104526
26	71110	White washer plastic, Flamingo	For 8 mm screw	1	PCS	5707292104175
27	0663035	Button head screw 8x35 stainl.		2	PCS	5707292139627
28	71161	M6 bush for side piece		1	PCS	5707292104519
29	0659200	Buttonhead screw M6x12 stainl.		1	PCS	5707292139436
30	1310711	Nylon washer 15x8,4x1,5mm		1	PCS	5707292429933
31*	1811105	Screw 4.2x16uh, stainless		2	PCS	5707292141699
	1811107	Taptight, M4x12		2	PCS	5707292584229
36	71128	Thread nut for angle adj.		2	PCS	5707292104359
39	0609745	Insex 6x60, stainless steel		4	PCS	5707292138538
40	3502008	Knob handle Ø20 M6	Green ral6024	1	PCS	5707292146830
41	71163	Pin o8 for tilt mounting		1	PCS	5707292104533
42	0310100	Pressure spring 0,9x8x23x10,5v		1	PCS	5707292135513
43	71164	Knob Ø23, 5 for handle		2	PCS	5707292104540
45	0662500	Button head screw M8x25 stainl		1	PCS	5707292139580
45	1811112	Sheet metal screw 4,8x19 phx		2	PCS	5707292452184
46	3501870	White covering plug, Flamingo		2	PCS	5707292146793
47*	71362-1	Seat frame size 1, complete		1	PCS	5707292607652
	71363-1	Seat frame size 2, complete		1	PCS	5707292607669
	71365	Seat frame 4, complete		1	PCS	5707292105370
	126581	Seat frame 3 complete		1	PCS	5707292635044
	71363	Seat frame size 2, complete		1	PCS	5707292105356

*choose size/color

Position	No.	Description		Quantity	Unit of Measure	Ean code
47*	71364-1	Seatframe size 3, complete	For Flamingo	1	PCS	5707292607676
	71365-1	Seat frame 4, complete		1	PCS	5707292607683
48	71138	Angel adjust frame/chair		1	PCS	5707292543585
50	1631060	Stainless lock nut 6mm	NUT6x6-SS-LC	2	PCS	5707292141446
51	71349	Distance bush		2	PCS	5707292105240
52	71348	Support rod for tilt, Flamingo		2	PCS	5707292105233
53*	0609741	Stainless insex 6x45	M6x45-cs-ss-a-4A	2	PCS	5707292785336
	0609740	Insex 6x40, stainless		2	PCS	5707292376879
	0609741	Stainless insex 6x45	M6x45-cs-ss-a-4A	2	PCS	5707292785336
54	1905375	Bolt M6x35, stainless w/o nut		2	PCS	5707292142269
55	71350	Distance bush		2	PCS	5707292105257
56	1130600	Stainless washer M6 din9021		2	PCS	5707292140517
57	3502400	Tightening handle 42mm M6 bush		2	PCS	5707292146892
58	1105060	SS washer M6 6,4x12x1,6		2	PCS	5707292140357
*choose size/color						

Accessories



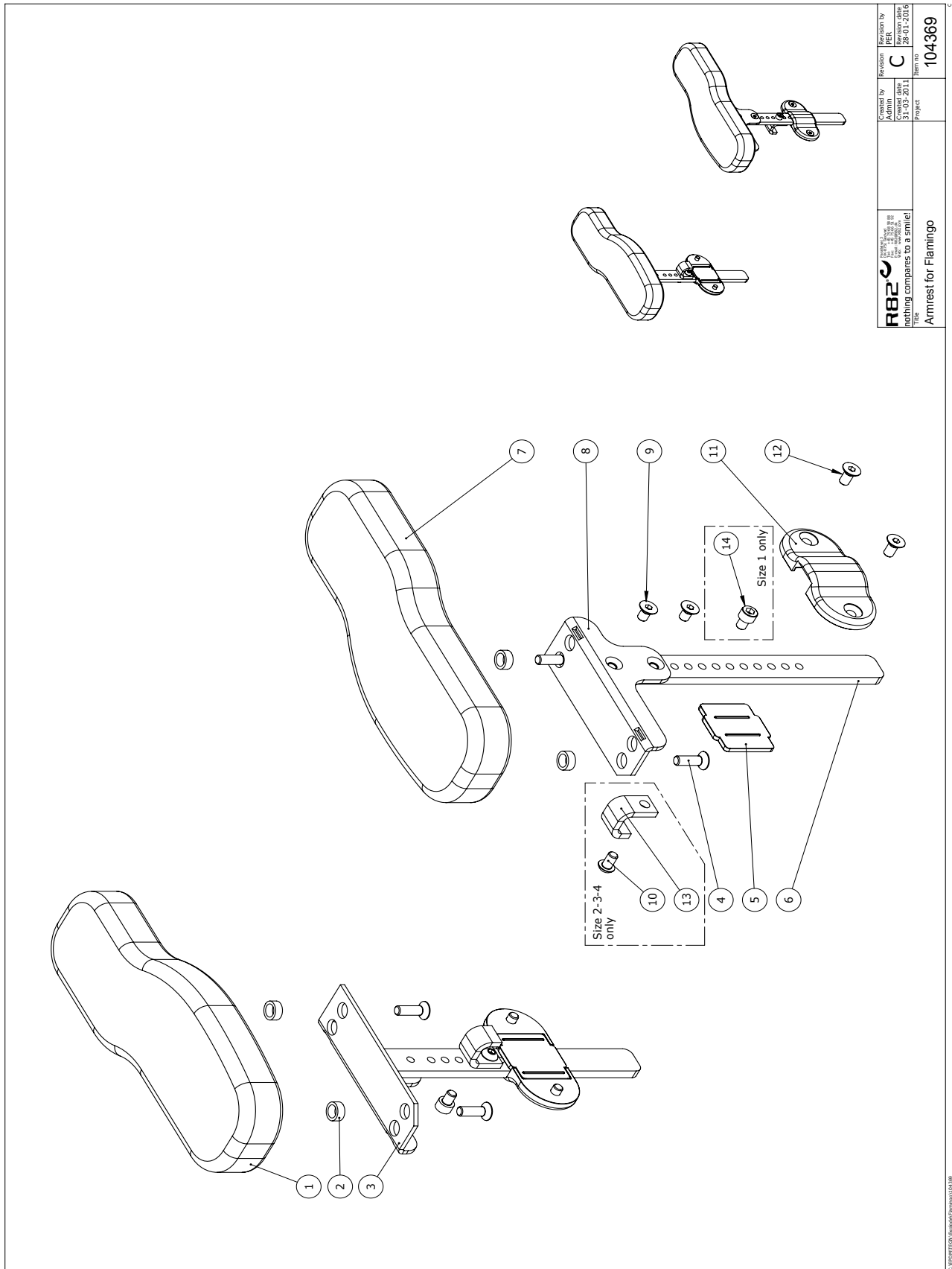
Item numbers for Accessories

Position	No.	Description	Quantity	Unit of Measure	Ean code
129*	880184-61H	Side upholstery, sz.4, right, blue PU	PCS	1	5707292615954
	880182-61H	Side upholstery, sz.2, right, blue PU	PCS	1	5707292615916
	880182-H	Upholst. F/right side, flam. 2	PCS	1	5707292254481
	880181-61V	Side upholstery, sz.1, left, blue PU	PCS	1	5707292615909
	880181-H	Upholst. F/right side,flam 1, grey PU	PCS	1	5707292254467
	880184-H	Upholst. F/right side,flam. 4, grey PU	PCS	1	5707292254528
	880183-61H	Side upholstery, sz.3, right, blue PU	PCS	1	5707292615930
	880183-H	Upholst. F/right side,flam. 3, grey PU	PCS	1	5707292254504
130*	880184-61V	Side upholstery, sz.4, left, blue PU	PCS	1	5707292615961
	880182-61V	Side upholstery, sz.2, left, blue PU	PCS	1	5707292615923
	880182-V	Upholst. F/left side, flam. 2	PCS	1	5707292254498
	880181-61H	Side upholstery, sz.1, right, blue PU	PCS	1	5707292615893
	880181-V	Upholst.f/left side flam. Sz.1, grey PU	PCS	1	5707292254474
	880184-V	Upholst f/left side,flam. 4, grey PU	PCS	1	5707292254535
	880183-61V	Side upholstery, sz.3, left, blue PU	PCS	1	5707292615947
	880183-V	Upholst. F/left side, flam. 3, grey PU	PCS	1	5707292254511
139*	71325	Backside size 4,right-Flamingo	PCS	1	5707292105097
	71323	Backside size 2,right-Flamingo	PCS	1	5707292105073
	71322	Backside size 1,right-Flamingo	PCS	1	5707292105066
	71324	Backside size 3,right-Flamingo	PCS	1	5707292105080
140*	71335	Backside size 4, left-Flamingo	PCS	1	5707292105134
	71333	Backside size 2, left-Flamingo	PCS	1	5707292105110
	71332	Backside size 1, left-Flamingo	PCS	1	5707292105103
	71334	Backside size 3, left,flamingo	PCS	1	5707292105127
141	0609727	Stainless inset 6x12 uh	PCS	2	5707292138484
160*	880129	Comode pan, Flamingo size 3+4	PCS	1	5707292134318
	880128	Comode pan, Flamingo size 1+2	PCS	1	5707292134301
164	71134	Distancepart for suction cup	PCS	4	5707292104397
165	2522015	Suction cup Ø80mm M6x12mm	PCS	4	5707292144461
170*	71371	Support rod STR.1 VENSTRE	PCS	1	5707292105394
	71369	Support rod size 4, left	PCS	1	5707292436757
	71367	Support rod STR.3 VENSTRE	PCS	1	5707292436771
	71373	Support rod for size 2	PCS	1	5707292105417
171*	71370	Support rod STR.1 HØJRE	PCS	1	5707292105387
	71368	Support rod size 4, right	PCS	1	5707292436740
	71366	Support rod STR. 3 HØJRE	PCS	1	5707292436764
	71372	Support rod STR.2 HØJRE	PCS	1	5707292105400
172*	6175361	Armrest table small, left	PCS	1	5707292189707
	6175365	Armrest table large, left	PCS	1	5707292189721
173*	6175359	Armrest table small, right	PCS	1	5707292189691
	6175363	Armrest table large, right	PCS	1	5707292189714
174	71130-90	Bushing, white	PCS	2	5707292223593
175	71132	Locking socket,white	PCS	1	5707292104373
176	104377	Washer Ø15,5Ø5,3, h10,0	PCS	4	5707292568878
177	72134-90	Mounting for armrest, white	PCS	2	5707292223760
178	82408-90	Underlaying plate armrest flam	PCS	2	5707292231482
179	0506519	Stainless blind rivet 4x12	PCS	2	5707292137388

* choose size/color

Position	No.	Description	Quantity	Unit of Measure	Ean code
180	6153700	Knob spring f.activity centre	PCS	2	5707292188601
181	1310552	Cover plugs k 5 natur	PCS	2	5707292581747
182	0603522	Insex ch M5x22 rf	PCS	4	5707292490988
184*	880118	Back extension, grey PU, sz. 1+2, See "Back extension for sizes 1+2 (880118)" on page 17	N/A	N/A	5707292572936
	880119	Back extension, grey PU, sz. 3+4, See "Back extension for sizes 3+4 (880119)" on page 19	N/A	N/A	5707292572943
* choose size/color					

Arm rest



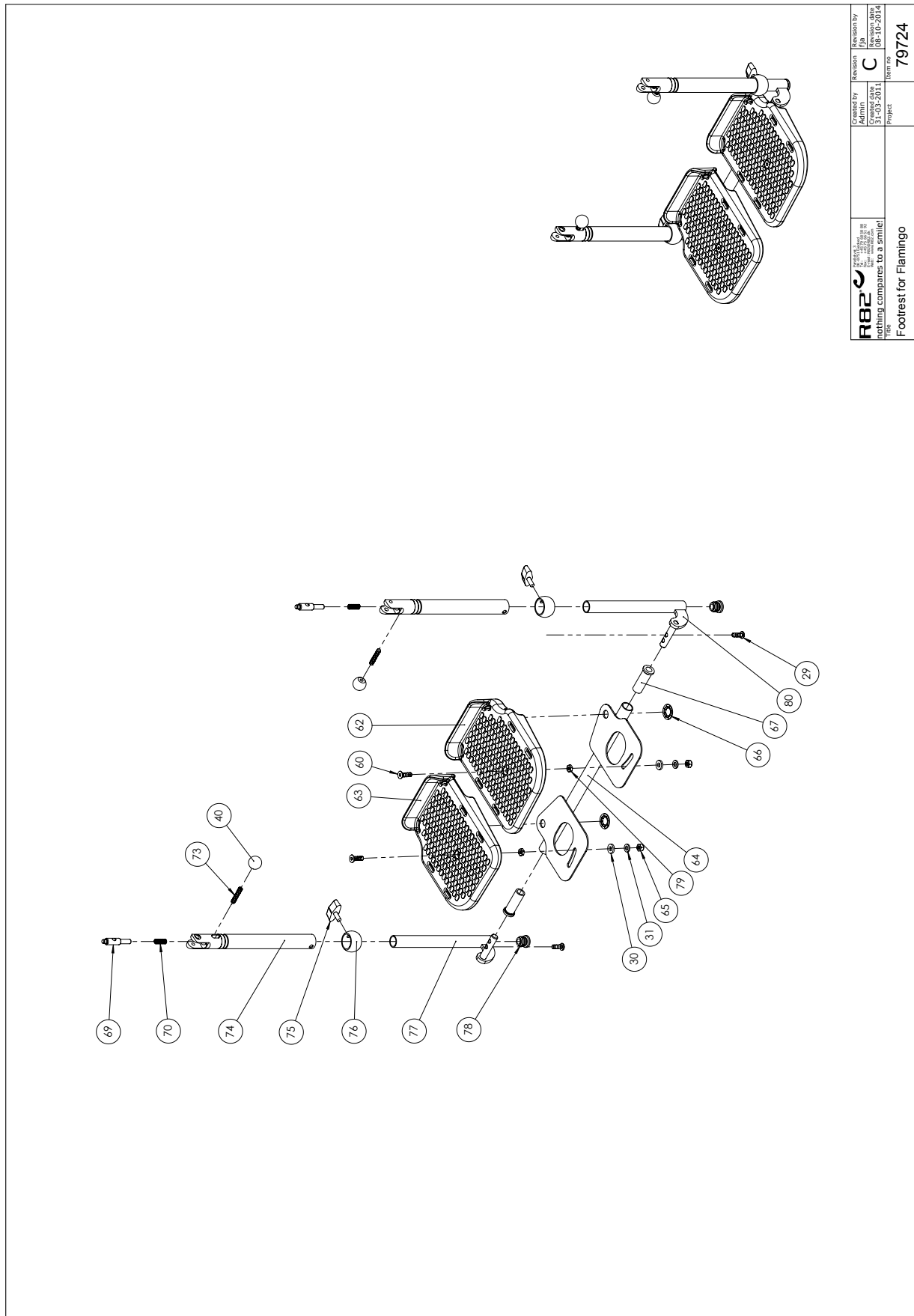
 nothing compares to a smiel! Title: Armrest for Flamingo	Created by: [blank] Checked date: 31-03-2011 Project: 104369	Revision: C Revision date: 28-01-2016	Item no: 104369
	R82 nothing compares to a smiel! Title: Armrest for Flamingo		

© 2011/2012 R82 A/S

Item numbers for Armrest (880152)

Position	Art. No.	Description	Unit of Measure	Quantity	Ean code
1	6175150	Armrest cushion, size 1, right	PCS	1	5707292189226
2	1310539	Distance piece 12/8,4x5mm	PCS	4	5707292423474
3	104360	Armrest bracket, right	PCS	1	5707292570703
4	0609730	Stainless insex 6x20 uh.	PCS	4	5707292138507
6	117054	Amrest bar	PCS	2	5707292611383
7	6175152	Armrest cushion, size 1, left	PCS	1	5707292189233
8	104359	Armrest bracket, left	PCS	1	5707292570697
9	0609760	Rustfri insex 6x10 uh. tuflok	PCS	4	5707292570796
10	0659005	Insex button head M6x10,stainl	PCS	2	5707292423740
13	117055	Brace	PCS	2	5707292611390
14	0602479	Insex M6x8, stainless	PCS	2	5707292465412
5+11+12	5001013	Plastic bag enclosing small	SET	1	5707292154378
*choose size/color					

Foot support



 nothing compares to a smile! THE	Created by Admin: 605 31-03-2011	Revision C 08-10-2014	Item no 79724
	Project Footrest for Flamingo		

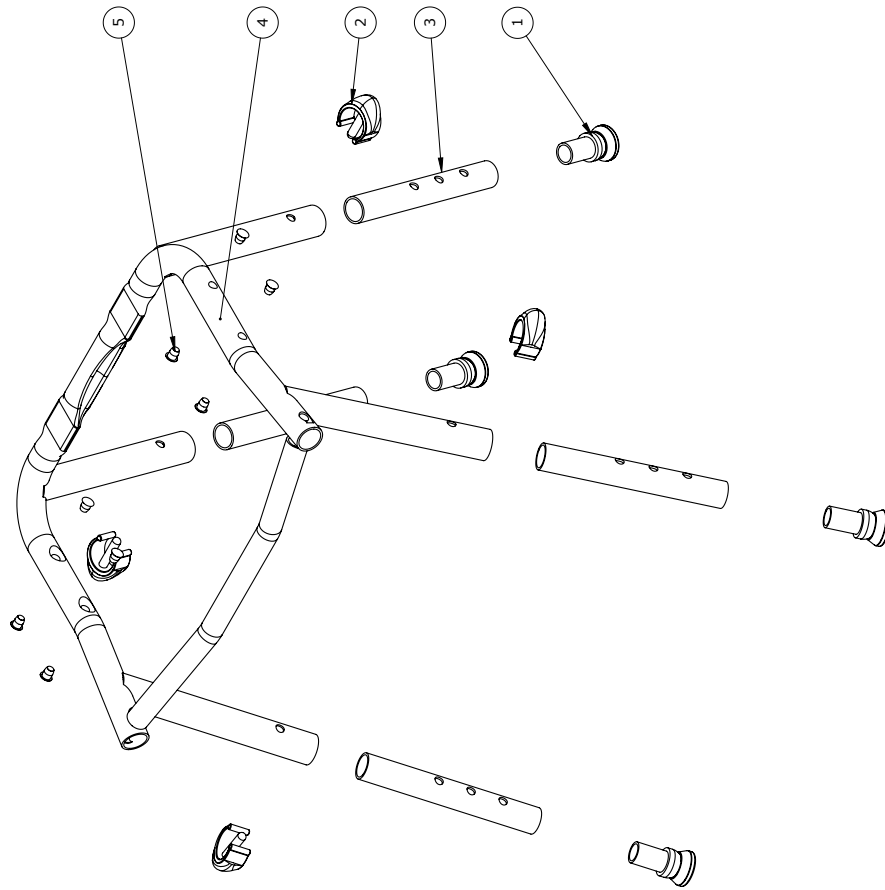
© 2014 R82 A/S. All rights reserved. Flamingo 19/24

Item numbers for Foot support (880199)

Position	Art. No.	Description	Unit of Measure	Quantity	Ean code
29	0659500	Button head screw M6x16	PCS	2	5707292139450
30	1310711	Nylon washer 15x8,4x1,5mm	PCS	2	5707292429933
31	1130600	Stainless washer M6 din9021	PCS	2	5707292140517
40	3502008	Knob handle Ø20 M6	PCS	2	5707292146830
60	0609732	Insex 6*22, stainless	PCS	2	5707292409669
62	71209	Footplate left, flam. Sz 3-4	PCS	1	5707292104649
62	71207	Footplate left, flam. Sz 1-2	PCS	1	5707292104625
63	71210	Footplate right, flam. Sz 3-4	PCS	1	5707292104656
63	71208	Footplate right, flam. Sz 1-2	PCS	1	5707292104632
64	71284	Footplate inlay flam. Size 3	PCS	1	5707292104830
64	71282	Footplate inlay flam. Size 1	PCS	1	5707292104816
65	1631060	Stainless lock nut 6mm	PCS	2	5707292141446
66	1109000	Starlock washer M12, u/kap,rf.	PCS	2	5707292140432
67	71119	Fictionbush for Flamingo	PCS	2	5707292104267
69	71123	Lock ratchet	PCS	2	5707292104304
70	0310147	Stainless spring l*9,3*20mm*7,5	PCS	2	5707292135636
73	0806030	Stainless stop screw 6*30mm	PCS	2	5707292140029
74	71243	Telescopic pipe sz. 2-4	PCS	2	5707292104694
74	71242	Telescopic pipe sz. 1	PCS	2	5707292104687
75	3503210	Finger screw,white M6x6	PCS	2	5707292147004
76	71118	Bushing Ø22-18 flam.	PCS	2	5707292104250
77	71274	Telescope ext. Left, sz 3+4	PCS	1	5707292104779
77	71272	Telescope extension left, sz 1	PCS	1	5707292104755
78	2502005	Ferrule d18*1,0-2,0 int.white	PCS	2	5707292144010
79	1750600	Lock nut, stainless M6	PCS	2	5707292141477
80	71279	Telescope ext. right, sz 3+4	PCS	1	5707292104809
80	71277	Telescope extension right sz 1	PCS	1	5707292104786

Potty frame size 1 & 2

Pos no.	Qty.	Item no.	Description.
1	4	6108201	leg cap adjustabel
2	4	73819	Safetypin
3	4	136835	Inner pipe for legs
4	1	136857	Seat Frame 1 Complete
5	8	2501580	Cap-Massiv



 nothing compares to a smile!	Checked by JAKO	Revision I	Checked by JAKO
	Created date 08-01-2018	Revision date 09-03-2018	Project 136873

Potty chair with legs size 1

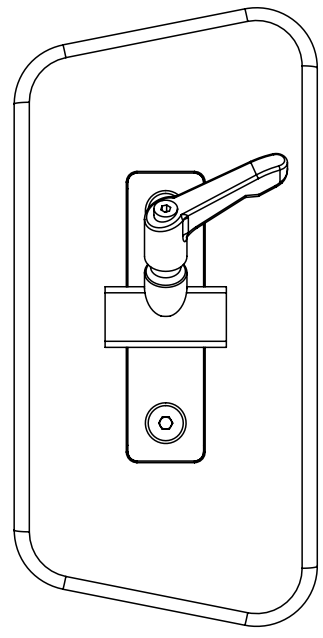
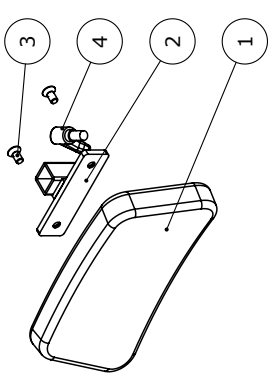
C:\BWA\TOANT\71\Potty_Chair_with_legs_08-01-2018_R820\Potty_Chair_with_legs_Size_136873

Item numbers for Potty frame (880160-1 & 880160-2)

Position	No.	Description	Quantity	Unit of Measure	Ean code
1	6108201	Plastic cap Ø19mm	4	PCS	5707292836618
2	73819	Safety pin	4	PCS	5707292441447
3	136835	Inner pipe for legs	4	PCS	5707292834799
4	136831	Seat Frame size 2	1	PCS	5707292839039
4	136857	Seat Frame size 1	1	PCS	5707292839022
5	2501580	Blind cap - black	8	PCS	5707292605450

Back extension for sizes 1+2 (880118)

Pos no.	Qty.	Item no.	Description.
1	1	104293	Back extension, size 1-2
2	1	104296	Mounting adaptor
3	2	0609727	M6*12-CS-SS-A-A2
4	1	3502700	Spændegreb M8-45x15 hvid

Tolerance	Project	Flamingo		R82® By Etac	
Surface	Created by	Admin	Revision	2	Revision by
Material	Created date	31-03-2011	Scale	1:2	dkfjso
	Weight				11-05-2023
	Weight				390g
Title	Format	A4		Item no	104327
Backextender komplet, size 1-2					

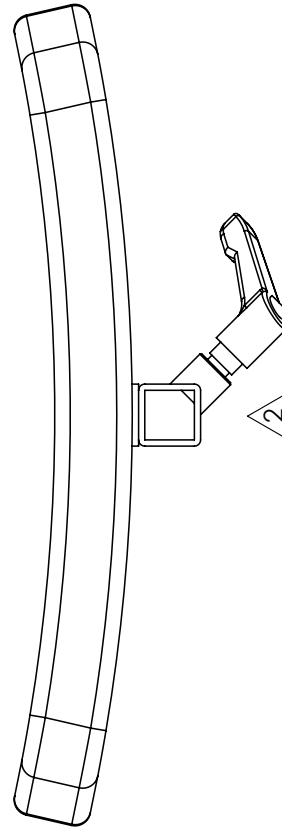
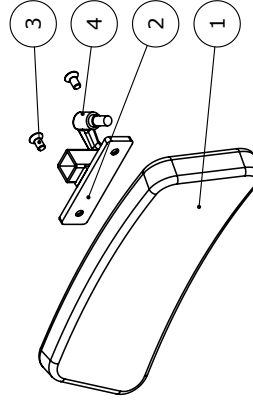
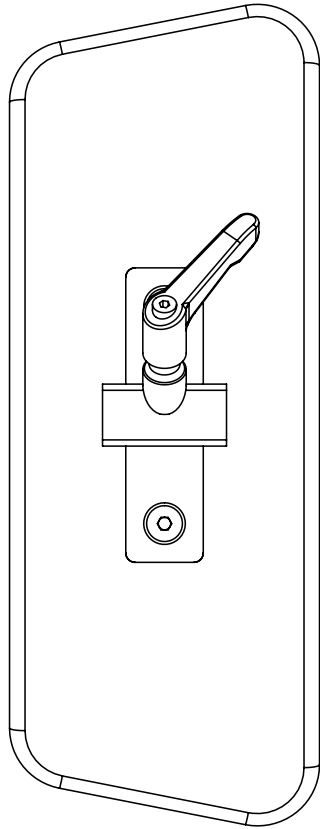
C:\EPDM\ksc\p0686\104327

Item numbers for Back extension for sizes 1+2 (880118)

Position	No.	Description	Quantity	Unit of Measure	Ean code
1	104298	Back extention Size 1-2	1	STK	5707292613363
2	104296	Mounting adaptor	1	STK	5707292573049
3	0609727	Rustfri insex 6*12 uh.	2	STK	5707292138484
4	3502700	Spændgreb 40/M8*15 hvid rustf.	1	STK	5707292146946

Back extension for sizes 3+4 (880119))

Pos no.	Qty.	Item no.	Description.
1	1	104294	Back extension, size 3-4
2	1	104296	Mounting adaptor
3	2	0609727	M6*12-CS-SS-A-A2
4	1	3502700	Spændegreb M8-45x15 hvid



Tolerance	Project	Flamingo	
Surface	Created by	Admin	Revision by
Material	Created date	31-03-2011	dkjeso
	Scale	1:2	Revision date
	Weight	464g	11-05-2023
Title	Format	A4	Item no
Backextender komplet, size 3-4			104328

C:\EPDM\vis\10686\104328

Item numbers for Back extension for sizes 3+4 (880119)

Position	No.	Description	Quantity	Unit of Measure	Ean code
1	104294	Back extention Size 3-4	1	STK	5707292568960
2	104296	Mounting adaptor	1	STK	5707292573049
3	0609727	Rustfri insex 6*12 uh.	2	STK	5707292138484
4	3502700	Spændgreb 40/M8*15 hvid rustf.	1	STK	5707292146946