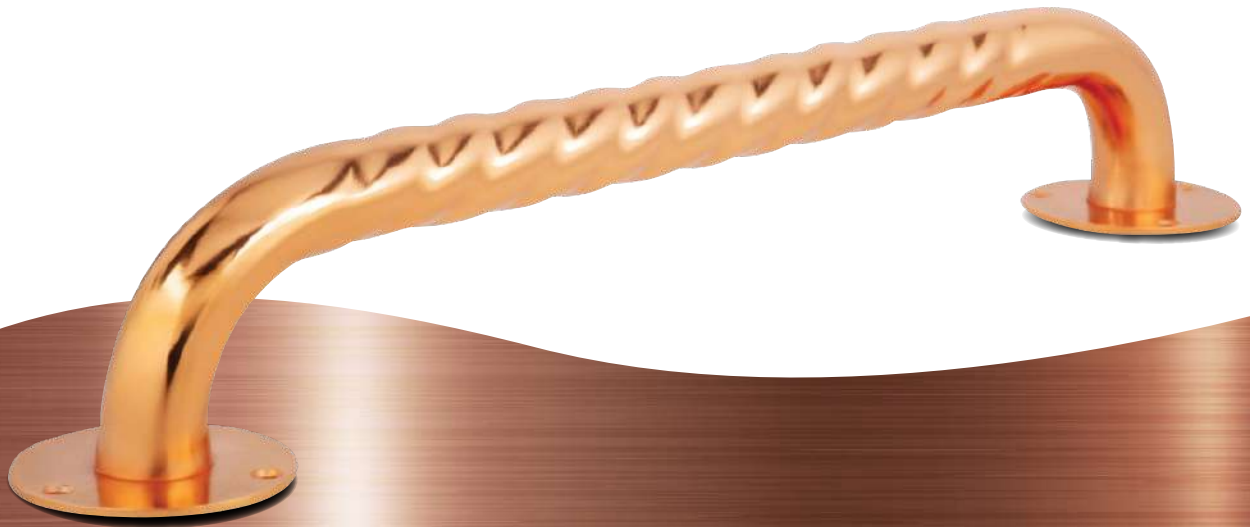




KAG
Safety Rail

Enhancing Safety
in the Fight Against COVID 19



KAG Grab Rails:

ANTI-BACTERIAL COPPER RANGE



**KILLS BACTERIA
ON CONTACT**
24/7 PROTECTION

Minimum

80%

Extra
Grip

Under Wet Conditions

Minimum

160%

Extra
Grip

Under Dry Conditions

Minimum

300%

Extra
Grip

Under Oily Conditions



KAG

Safety Rail

HOW IT WORKS

Proven results

(1)* Research published in the New England Journal of Medicine found that copper can be effective against SARS-CoV-2, the virus responsible for the coronavirus pandemic. The study showed that after four hours, the virus was no longer infectious on copper's surface. In comparison, coronavirus was still infectious on plastic surfaces after 72 hours.

(2)* According to Edward Bilsky, Ph.D., Provost and Chief Academic Officer at Pacific Northwest University of Health Sciences, copper can kill germs in a few ways:

- 🚫 It disrupts bacterial cell membranes — copper ions damage cell membranes or “envelopes” and can destroy the DNA or RNA of the microbe.
- 🚫 It generates oxidative stress on bacterial cells and creates hydrogen peroxide that can kill the cell.
- 🚫 It interferes with proteins that operate important functions that keep bacterial cells alive.

Stop the spread

Viruses and bacteria can spread from person to person through:

Close contact with an infectious person (including in the 24 hours before they started showing symptoms); contact with droplets from an infected person's cough or sneeze; touching objects or surfaces (like grab rails) that have cough or sneeze droplets from an infected person, and then touching your mouth or face. With our new anti-bacterial grab rails we can help stop the spread and fight infection rate 24/7 by simply using our range.

Standard Grab Rails

- 🚫 Un-hygienic in high risk areas.
- 🚫 Harbors deadly bacteria and disease.
- 🚫 Never ending cost associated with constant cleaning.

(3)* Healthcare-associated infections kill 99,000 US patients / 37,000 European patients each year and cost the country \$6.5 billion / €7 billion annually.

KAG Anti-Bacterial Range

- 🚫 Kills MRSA, E. coli, influenza A and norovirus on contact.
- 🚫 Gives 24/7 protection against bacteria in all sectors.
- 🚫 Cost effective way to ensure the public's health and safety.

(3)* There was an 83% reduction in bacterial load on the surfaces in the rooms with copper components. Additionally, infection rates of patients were reduced by 58%.

KAG Grab Rails

MEDICAL

Straight grab rail

Anti-bacterial copper

Description

The KAG anti-bacterial copper range is available in 32mm & 38mm tube sections with a strong open fixing flange for easy installation and neat hygienic finish.

ABC

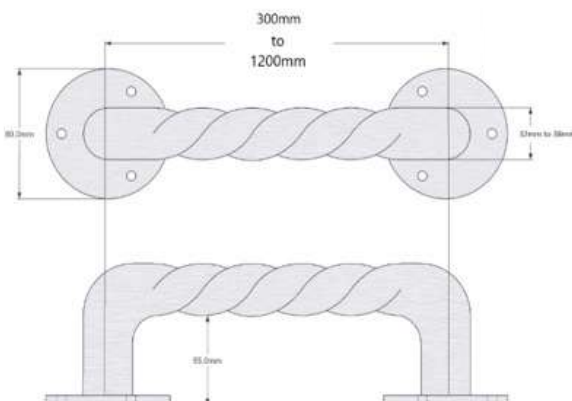
Anti-Bacterial Copper

COVID SAFE



Model No.	Length	OD.mm	Finish
Cruise ship only	250mm	32	ABC
Cruise ship only	250mm	38	ABC
S30032ABC	300mm	32	ABC
S30038ABC	300mm	38	ABC
S450S2ABC	450mm	32	ABC
S45038ABC	450mm	38	ABC
S60032ABC	600mm	32	ABC
S60038ABC	600mm	38	ABC
S75032ABC	750mm	32	ABC
S75038ABC	750mm	38	ABC
S90032ABC	900mm	32	ABC
S90038ABC	900mm	38	ABC
S120032ABC	1200mm	32	ABC
S120038ABC	1200mm	38	ABC

*1.6mm tube
*5mm thick fixing plate, 80mm in diameter with 3x6mm countersunk holes





NEW DESIGN

With ultimate strength, beauty & protection the new KAG rail outperforms any competitor on the market. We achieve such high standards of quality by using only the best material combined with 5mm fixing plates & our new concealed assembly technique. With all this and our added anti-bacterial copper we assure all customers only the best in handrail technology and protection.

KAG Grab Rails



Fixings

Anti-bacterial copper

Description

The unique fittings we use makes our product far superior to any grab rail on the market, our 5mm fixing plate & concealed assembly pared with our anti-bacterial copper provides ultimate strength & protection with a slim line aesthetic.

ABC

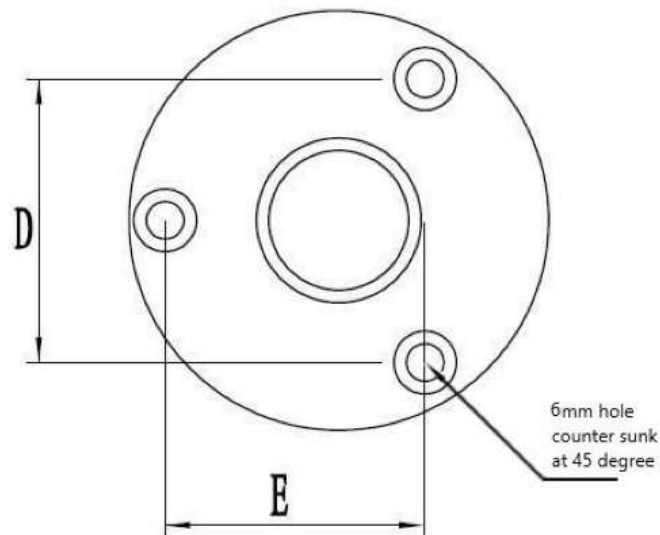
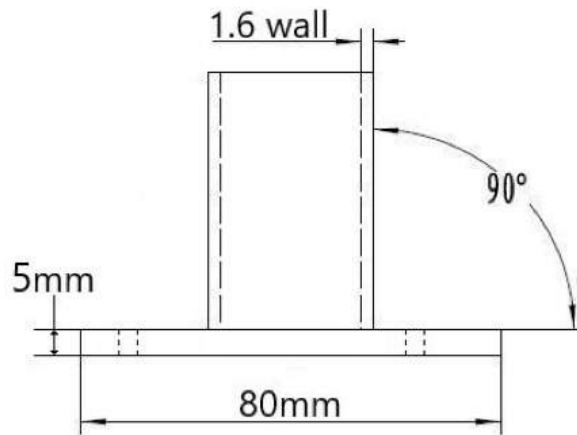
Anti-Bacterial Copper



COVID SAFE



Dimensions	Thickness	Finish	Holes	Counter sunk
80mm	5mm	ABC	3 x 6mm	45°





KAG
Safety Rail

Metal Maintenance & Care

With the use of any generic brand metal polish.



Directions

WET



APPLY



DRY



BUFF



STEP 1.

Wipe down rail with wet non-scratch cloth

STEP 2.

Rub product directly onto copper rail using clean non-scratch cloth.

STEP 3.

Clean off with wet non-scratch cloth.

STEP 4.

Dry and buff using clean dry non-scratch cloth.

24/7 fight against bacteria

It is not necessary to clean and polish the rail to maintain the anti-bacterial effect. The copper rail will be effective against bacteria 24/7.

Cleaning and polishing the rail with any generic brand metal polish will postpone patina which develops naturally during over time.



COVID SAFE



References & Information

(1) <https://www.nejm.org/>

(2) <https://www.businessinsider.com.au/does-copper-kill-germs-and-viruses-2020-3>

(3) <https://www.ncbi.nlm.nih.gov/pmc/articles/PMC4561453/>

<https://www.who.int/>

<https://www.sciencedirect.com/science/article/pii/S0960308518303109>

Main distributor:
www.acurail.dk

ACURAIL
GET A **SAFE** GRIP



KAG
Safety Rail

Acusafe Australia Head Quarters

ACUSAFE
Enhancing Safety

www.kagrail.com