

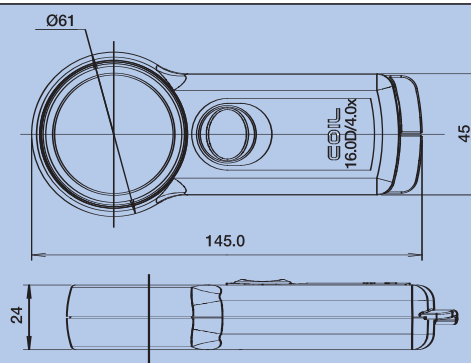
POPULAR ILLUMINATED POCKET MAGNIFIER

- **Portable size**
- **Stylish, lightweight design**
- **Pre-focus tungsten bulb**
- **Powered by two AA size batteries (not supplied)**
- **Aspheric lens**
- **Range of five magnification options**
- **Protective pouch**
- **Easy battery replacement**



Ideas for use

- Carry in the pocket or handbag for general use
- Store in the car glovebox for map reading
- Keep by the phone for directory reading



Tungsten Bulb Illumination

Part No.	Dioptres / Mag.*	Lens Diameter (mm)	Image Vergence	Effective Focal Length (mm)	Field of View on Page (mm)
5270	8.0D / 3x	48.0	-4.0D	12.45	80.0
5146	16.0D / 5x	48.0	-4.0D	62.95	50.0
5147	24.0D / 7x	48.0	-4.0D	41.95	35.0
5148	32.0D / 9x	48.0	-4.0D	31.46	24.0
5271	40.0D / 11x	40.0	-4.0D	25.08	20.0

(with white styling)

Batteries not included * Magnifier conforms to BS EN ISO 15253: 2000 except that trade magnification is quoted instead of nominal magnification and is calculated using $(1 + \text{Equivalent Power}/4)$



Carclo Technical Plastics (Slough)
 111 Buckingham Avenue
 Slough, Berkshire
 England SL1 4PF
 Tel: +44 (0)1753 575011
 Fax: +44 (0)1753 811359
 Sales Fax: +44 (0)1753 575115

CTP Coil Inc.
 1801-D Howard Street
 Elk Grove Village
 Illinois 60007-2450. USA
 Tel: +1 (0)847 228 8818
 Fax: +1 (0)847 593 3930