



BA-Nr.: 02.07.135/2023-05-A01



REBOTEC® Rehabilitationsmittel GmbH
DE-49610 Quakenbrück, Artlandstr. 57-59
Telephone: +49 (0) 5431/9416-
Fax: +49 (0) 5431/9416-66
Web: www.rebotec.de
E-Mail: info@rebotec.de



User manual

Multifunctional nursing wheelchair

	Phoenix		Phoenix 200	
REF	350.xx.10	350.xx.40	353.xx.12	353.xx.40
	150 kg	150 kg	200 kg	200 kg

XX = colour code



Figure similar



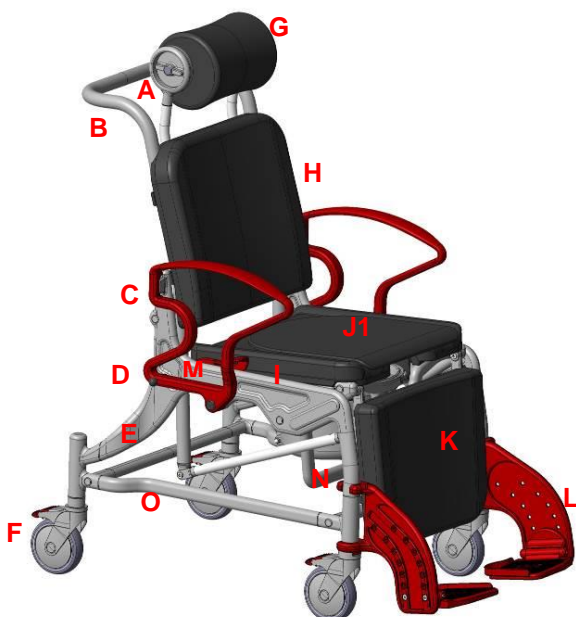
Read this user manual **before using the device for the first time** and keep it at hand for the user as well as for future use and subsequent sales.

**Table of contents**

Multifunctional nursing wheelchair.....	1	11.7 Use of the toilet bucket.....	9
1 Product description	3	12 Troubleshooting	9
1.1 Introduction	3	13 Cleaning & disinfection.....	10
2 Features	3	13.1 General information	10
2.1 Intended purpose	3	13.2 Cleaning	10
2.2 Conditions of use	4	13.3 Disinfection	10
2.3 Storage & transport.....	4	14 Maintenance.....	11
2.4 Equipment & functions	4	15 Spare parts & accessories.....	12
2.5 Packaging	4	16 Drawing & dimensions.....	13
2.6 Disposal	4		
3 Symbols & nameplates	4		
4 Safety instructions	5		
5 Incident reporting.....	6		
6 Warranty.....	6		
6.1 Complaint.....	6		
7 Reuse, lifetime	6		
8 Scope of delivery.....	6		
9 Setting up for use.....	6		
9.1 Folding down the footrests	6		
9.2 Adjusting the footrest height	6		
9.3 Operation of the parking brake	7		
9.4 Mounting of the headrest	7		
9.5 Adjusting the headrest	7		
9.6 Adjusting the tilt.....	7		
10 Product data	8		
11 Operation of the product	8		
11.1 Sitting down.....	8		
11.2 Standing up.....	8		
11.3 Folding down the armrests	9		
11.4 Folding down the footrests	9		
11.5 Removing the footrests	9		
11.6 Removing the seat cover.....	9		

1 Product description

350.xx.10 & 353.xx.12



350.xx.40 & 353.xx.40

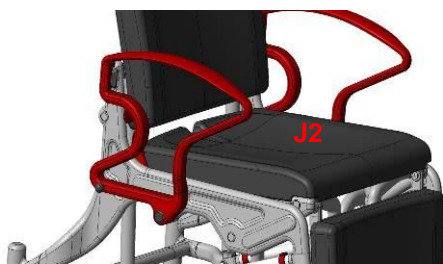


Figure shows:

A	Rotation adjustment for PUR headrest
B	Backrest
C	Armrest
D	Locking bolts
E	Chair frame with tilt adjustment
F	Wheel insert with parking brake
G	PUR headrest
H	PUR backrest cushion
I	PUR seat, hygiene opening and bucket holder
J1	PUR seat cushion
J2	PUR transport seat
K	PUR leg support
L	Foot support with footrest
M	Locking lever for tilt adjustment
N	Toilet bucket with lid
O	Nameplate

1.1 Introduction

- The product described here is a medical device of risk class I according to **(EU) 2017/745 MDR**.
- In this user manual, you will find information on the safe and proper initial operation, use, maintenance and care of this product.
- Carefully read this user manual before using the product. Follow the safety instructions and act accordingly.

2 Features

- The product is designed for people with adult body proportions. Their body weight should be
 - 40 to 150 kg for Phoenix
 - 40 to 200 kg for Phoenix 200
 - and they should have a minimum height of 146 cm.

2.1 Intended purpose

350.xx.10 & 353.xx.12

- The product is intended for the care of patients with limited ability to stand and/or walk. It ensures showering while sitting or lying down and going to the toilet, even if a conventional toilet or bathroom is out of reach. It can be infinitely adjusted between sitting and lying positions. The patient must have sufficient sitting ability and upper body musculature. If necessary, a nurse must be present during use. The product is not intended for prolonged sitting and transfer.

350.xx.40 & 353.xx.40

- The product is intended for the care of patients with limited ability to stand and/or walk. It allows you to shower while sitting or lying down. It can be infinitely adjusted between sitting and lying positions. The patient must have sufficient sitting ability and upper body musculature. If necessary, a nurse must be present during use. The product is not intended for prolonged sitting and transfer.

Specification:

- Maximum user weight
 - Phoenix: 150 kg
 - Phoenix 200: 200 kg
- Height adjustable footrests
- Wheelchair, 4 swivel castors, lockable
- Indoor use

Indication

- Use in domestic and inpatient settings.
- Medical condition of the patient:
- The use of a chair by patients with cognitive disorders (reduced mental, physical, sensory or intellectual abilities) must be decided in advance by a medical decision (prescription of the product) or on site by the nursing personnel.

2.2 Conditions of use

- Temperature range: 5°C to 35°C; direct radiant heat on the product must be avoided.
- Relative humidity: 40% to 75%. Outside of these conditions, the product must only be used for a short time.
- This product may not be used to transport heavy objects.
- There must be a flat surface of sufficient size for the product to be placed on. See 16.

2.3 Storage & transport

- Temperature range: 5°C to 25°C; direct radiant heat on the product must be avoided.
- Store the product in dry rooms with a humidity of up to 65%.
- The shower should be designed so that there is a flat surface of sufficient size.

2.4 Equipment & functions

- The chairs consist of a plastic frame on 4x5" swivel castors with locking brake. The armrests can be swivelled and have an armrest locking device.
- The footrests are height adjustable and can be removed or folded down. The headrest is height adjustable and rotatable. A tilt adjustment of the chair, via a lever function, for the supine position of the patient
- Depending on the equipment variant, there is a PUR seat for transport purposes or a PUR seat with hygiene cut-out (incl. toilet bucket with lid).
- Due to the design and intended use of the product, disassembly for transport or storage is not intended or necessary.

2.5 Packaging

- We recommend you keep the packaging for a later transport.
- Dimensions: 1005mm x 670mm x 900mm

2.6 Disposal

- Disposal and recycling of used products and packaging must be carried out in accordance with currently valid regulations. Please contact a disposal company for further information.
- The Infection Protection Act must be observed.
- Please observe any labels and information on packaging material and act accordingly.

3 Symbols & nameplates

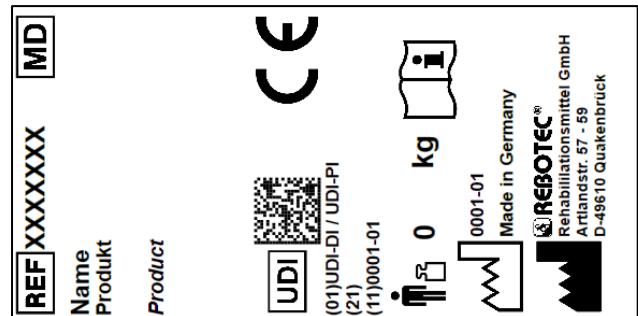


Figure similar.

The nameplate must not be removed! For ordering spare parts and processing complaints, the device name, serial number and year of manufacture will be required.

Symbol	Meaning	Symbol	Meaning
	Read the manual!		Year of manufacture of Device
SN	Serial number		<i>Important information!</i>
REF	Article number		<i>Maximum user weight in kg</i>
	Care instructions		Maintenance instructions
	Applicable for indoor use only.		Manufacturer
	Visual signal	EN	Language
	Read the user manual!		Do not dispose of as household waste.
CE	Product complies with (EU) 2017/745 MDR		

Symbol	Meaning	Symbol	Meaning
	Caution! Observe the safety instructions		
	Unique Device Identifier (Data: GTIN / LOT (SN) / year of manufacture)		
	Medical device label This product is a medical device.		

4 Safety instructions



Please observe the following safety instructions:

- Before using the device for the first time, the User Manual must be read completely in order to avoid hazards or damage caused by maloperation.
- Before each use, check the product for visible damage or deficiencies.
- In case of malfunctions or damage of any kind, the product must not be used.
- Do not leave the patient unattended during use.

Caution: Danger of falling!

- Use of the product should be assisted by a trained caregiver, depending on the health condition of the patient.
- When adjusting the backrest, the patient should hold on to the armrests.
- Patients who are prone to uncontrolled actions or movements must be supervised when using the chair.
- The chair must **only** be moved on a slope or incline with the help of a caregiver. Generally, on an uphill slope the chair should be pushed forward and on a downhill slope it should be pulled backward.

Caution: Danger of slipping!

- Before use, check that the seat surfaces are firmly clamped in the seat frame.
- Always lock **at least 2** parking brakes on the wheels before using the chair to prevent the chair from rolling away.
- When sitting down, do not sit on the front edge of the seat or on the seat cushion; the user should take up the entire seat surface.

Caution: Danger of tipping over!

- The chair must only be used with the armrests locked in place when sitting, moving about and/or adjusting the tilt angle.

- The product may only be pushed by the push handle.
- The footrests must be swivelled down or folded up before sitting down/standing up. Do not stand on the footrests!
- Do **not** move against door thresholds, edges or other uneven surfaces.
- **Only** use indoors and on flat, skid-proof surfaces.
- **Only** move at a moderate walking pace.
- Persons must only be transported in an upright sitting position.
- Do not lean out of the chair at any time. If the swivel castors are in an unfavourable position (pointing inwards), stability of the chair is limited.
- Special care must be taken when moving the chair in a tilted position!

Caution: Danger of breakage!

- The product is **only** suitable for the intended use. Observe the permissible max. body weight. See 2.

Caution: Danger of pinching or catching!

- Do not leave the patient unattended during use.
- When folding the armrests up or down, do not reach into the joint guide so that no parts of the body etc. are trapped. Keep body parts away from inside the armrests.
- Do not reach between the seat plate and the frame when pushing on the seat plate and during tilt adjustment to prevent any body parts from being trapped.
- When folding down the footrests, take care to avoid trapping any body parts. Keep body parts away from the recess in the heel area.
- When adjusting the headrest, make sure that no parts of the body or any objects are trapped. Keep body parts away from between the backrest and the headrest.
- When pulling out and pushing in the toilet bucket, there is a risk of trapping soft tissue of the patient. To prevent injuries, the bucket may only be pulled out or pushed in when no user is sitting in the chair.

Caution: Risk of injury!

- There is a risk of injury with surface temperatures > 40°C. Therefore, do not expose the product to high temperatures (e.g. sunlight, radiators, hot water). Allow the product to cool down before use.



If the product is used by patients with insensitive skin (no temperature perception or skin damage), a heat check (e.g. touching with the

back of the hand) must be carried out by the nursing staff.

5 Incident reporting

- Serious incidents in connection with the product must be reported immediately to the manufacturer and the competent authorities.
 - Use the reporting functions and provided forms.
- Manufacturer: pms@rebotec.de

6 Warranty

- For this product the manufacturer grants a warranty of 12 months. Compliance with the general terms and conditions (www.rebotec.de/agbs), as well as the intended use, are a basic prerequisite. The statutory warranty provisions shall apply.
- Unauthorised modifications to this product will void the product's conformity and the warranty.

6.1 Complaint

- Please contact us before returning the product.
- To reduce transport damage, use the original packaging if possible.
- The Infection Protection Act must be complied with.
- Please make sure that the product does not pose a risk of infection when returned.
- Enclose the supplied information sheet on safety with the product.
- Costs may incur for returns that are not marked non-objectionable.

7 Reuse, lifetime

- The product is suitable for reuse. How often the product can be reused depends on the frequency and nature of use.
- Before reuse, the product must be reprocessed hygienically and the technical and functional safety and reliability of the product must be checked and restored if necessary. See 13.
- For more detailed information, please see the reprocessing instructions (02.12.158) and the maintenance instructions (02.11.151).
- The documents can be downloaded from the following link.
 - www.rebotec.de/downloads

- When used as intended, the product has a lifetime of 5 years. The effective lifetime may vary depending on the frequency and intensity of use and the general condition. The lifetime of the product can be extended by lower intensity of use.

8 Scope of delivery

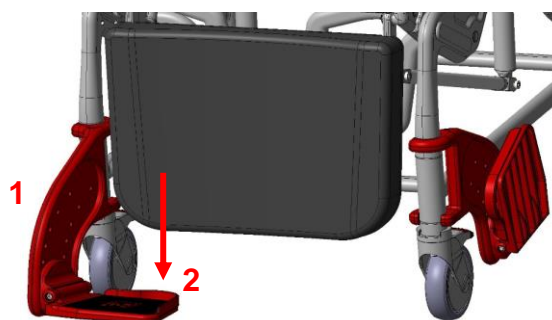
- 1x Multifunctional nursing wheelchair
 - 1x Headrest unit, shape 1
 - 1x Toilet bowl (Phoenix 200 only)
 - 1x Toilet bucket with lid
- 1 User manual (02.07.135)
- The reprocessing and maintenance instructions can be ordered or viewed and downloaded at www.rebotec.de/downloads.

9 Setting up for use

- The product has been carefully inspected in the factory for freedom from defects and completeness. Please check the product for any possible damage which may have occurred during transport and for completeness of the scope of delivery upon receipt. Assembly or adjustment shall be carried out by the specialist dealer.

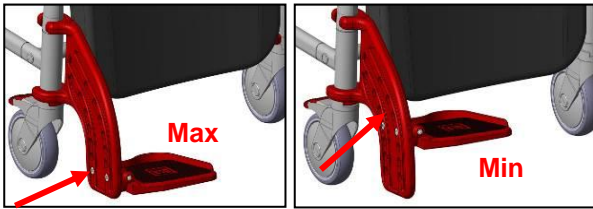
9.1 Folding down the footrests

- Turn (1) the footrests forwards until they engage automatically. Fold (2) the footrests down. Adjust the height of the footrests if necessary.



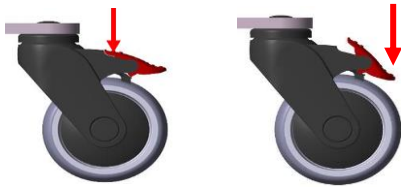
9.2 Adjusting the footrest height

The footrest height can be adjusted in 4 positions. Loosen and remove the screws on the side of the footrest using an Allen key (SW 5). Select the appropriate height level (1-4) and screw the footrest back in place. Make sure that the screws are firmly tightened!



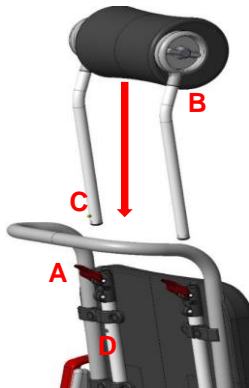
9.3 Operation of the parking brake

- With your foot, press down the parking brake lever. The wheel is now braked and fixed in its direction. The wheel is released by lifting the actuating lever with the foot



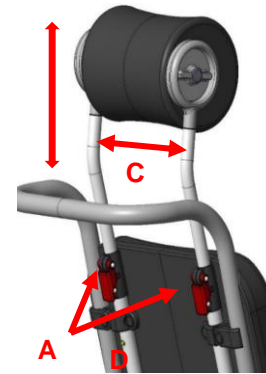
9.4 Mounting of the headrest

- Fold the levers (A) upwards and insert the tubes of the headrest unit into the openings.
- Push the tubes down until the push button (C) engages in the hole (B)
- Then push the push button (C) all the way in and push the tubes to the end stop and fold the levers (A) all the way down.



9.5 Adjusting the headrest

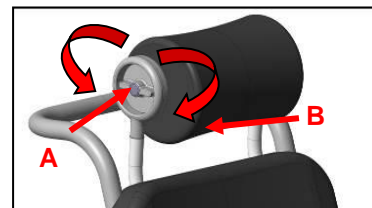
- To adjust the headrest height, fold up the two levers (A) and slide the headrest to the appropriate height
- The headrest is continuously adjustable (120 mm) until the push button (B) engages in the hole.
- After adjustment is completed, fold the two levers (A) all the way down again. By removing the clips (C), the headrest can be removed for cleaning or replacement.



- By turning the rotary head (A) you can adjust the tilt of the headrest.



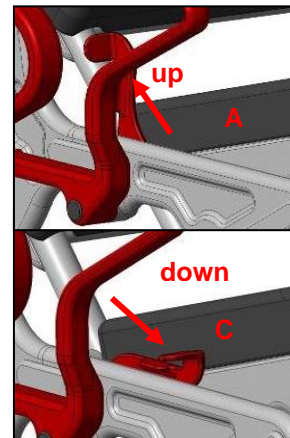
Attention! Risk of crushing (B) of body parts between headrest and backrest cushion.



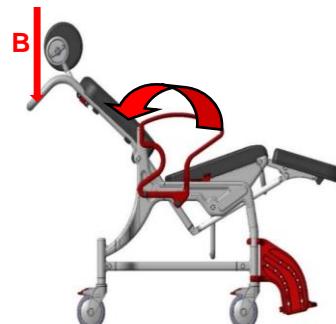
9.6 Adjusting the tilt

- The backrest can be continuously tilted backwards by approx. 37 degrees, and the seat surface can be adjusted by 12 degrees.
- Pull the locking lever (A) vertically upwards and then press down on the backrest (B) to the desired position.
- Push the locking lever (C) all the way down again.

Seat position



Tilt position

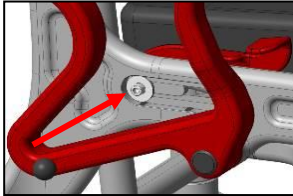


Maintenance instructions



If operation of the locking lever is too stiff or too loose, the clamping effect can be readjusted.

- Dismantle the cover. Using an Allen key (SW5), the clamping effect of the lever is increased by turning to the right and reduced by turning to the left. Then press the cover firmly back on and lock the armrest into place.



10 Product data

- We reserve the right to make technical developments and improvements with respect to the design shown in this user manual.
- See 16.

Characteristic	Value
Phoenix / 350.xx.10	
2. Product weight*	29.3 kg
3. Total weight*	35.3 kg
Phoenix / 350.xx.40	
2. Product weight*	28.4 kg
3. Total weight*	34.4 kg
Phoenix 200 / 353.xx.12	
2. Product weight*	34.8 kg
3. Total weight*	39.4 kg
Phoenix 200 / 353.xx.40	
2. Product weight*	34.0 kg
3. Total weight*	38.6 kg
Skin compatibility	DIN EN 10993-1/-5
Flammability**	DIN EN 1021-1/-2

*Without accessories.

**Flame retardant: For products made of PUR material.

11 Operation of the product

- Before use, it must be ensured that the product is in proper operating condition. If defects or malfunctions are evident, the product must not be used. Have the defects corrected by a specialist dealer before use.



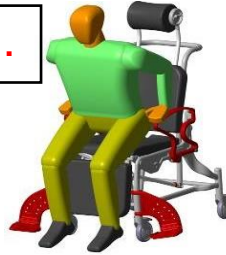
If necessary, depending on the patient's limitations, sitting down and standing up must be done with the help of a caregiver.

Subsequent adjustments may only be made by qualified personnel!

11.1 Sitting down

- Before sitting down and standing up, make sure that the product is securely positioned to prevent it from slipping or tipping over,

1.



that at least two wheels are braked, that the armrests are properly engaged, that the seat surfaces are firmly in place, and that the footrests are folded to the side or up.

- The patient must position themselves as close as possible to the product. By supporting themselves on the two armrests, the patient should slowly sit down on the cushion.

- If this is not possible due to their physical limitations, support must be provided by the nursing staff. If necessary, the use of a lifting aid or patient lift is advisable.



Caution: Danger of falling!

2.



Falling down or slumping on the chair seat must be avoided. The patient should sit on the full chair surface, if possible, and not only on the edge of the seat.

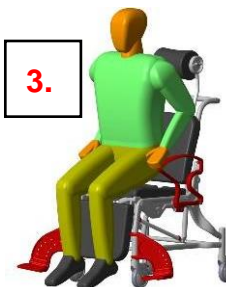
- When transporting people, the entire surface of the backrest and the footrests must be used if possible.

11.2 Standing up

- Before standing up, make sure that the chair is securely positioned to prevent it from slipping or tipping over, that at **least two wheels are braked**, that the armrests are properly engaged, that the footrests are folded to the side or up and that the patient sits upright.

- The patient should move forward on the chair so that the feet are on the floor.

3.



The patient must support themselves with their arms on the armrests and slowly rise from the seat.

- Do not lean your body too far forward to avoid a potential risk of falling.
- The patient should be helped to stand up by the nursing staff.


Caution: Danger of falling!

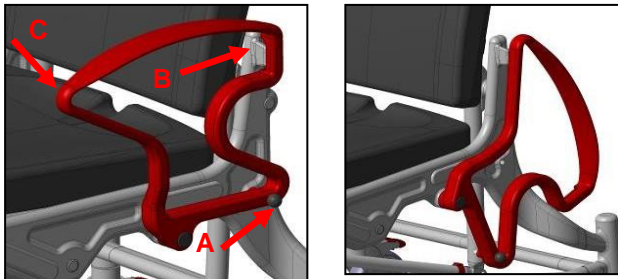
4.



- Do not lean on the footrests when sitting down or standing up.

11.3 Folding down the armrests

- Pulling out the locking bolts (A) releases the locking mechanism, and the armrests can be swivelled backwards.
- When folding up the armrest, check that the catch on the backrest (B) and the locking bolt (A) are seated correctly. The armrests can be swivelled with both hands.



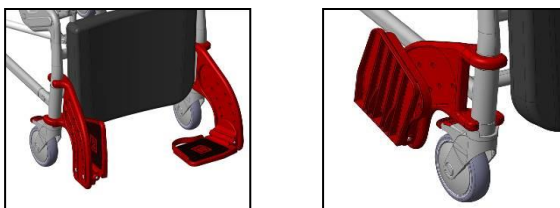
- To do this, keep the locking bolt (A) pulled during the entire swivelling process and guide the armrest to point (C) with the other hand. Only touch the outer area and do not reach into or through the armrest.



Check the locking at regular intervals, as possible limescale deposits on the locking mechanism can impair function and smooth operation.

11.4 Folding down the footrests

- First swivel the footrests upwards and then lift the footrest out of the catch on the wheel. The footrest can now be folded back to the side.



11.5 Removing the footrests

- Raise the footrest by approx. 100 mm and turn it outwards by 90 degrees. Loosen the front cover on the side frame.

- Now you can push the footrest all the way up and pull it out. Clamp the cover back on.

11.6 Removing the seat cover

- The seat with (I) and without (O) hygiene cut-out, the foot cushion (K) as well as the back cushion (H) can be removed from their locking mechanism on the chair frame for cleaning purposes or for replacement. Page 1.

11.7 Use of the toilet bucket

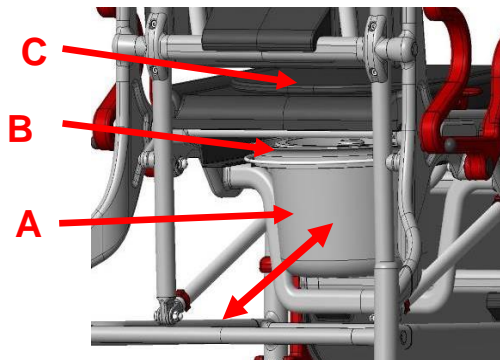
- When using the chair with the toilet bucket, use only in the sitting position and not in the lying position, otherwise the toilet bucket will fall down.



Attention! Remove the bucket before tilting the chair!

Handling

- Slide the toilet bucket (A) under the seat from the back. Remove the toilet lid (B) beforehand.
- To remove, slightly lift the toilet bucket and then pull it out backwards.
- The armrests must be locked to prevent the patient from falling out. After removing the toilet bucket, put the seat cushion (C) back onto the shower seat.



12 Troubleshooting

Fault	Potential cause	Remedy
Armrest cannot be swivelled down	Deposits in the locking device (locking bolt)	Cleaning, checking regularly
Locking bolt cannot be pulled out	Deposits, tension spring jammed or defective	Cleaning, Replace the locking bolt
Footrest cannot be folded down	Deposits in the joint, Bracing	Cleaning, Check screw connection
Wheel lock does not brake	General defect	see maintenance!
Turning the wheel is stiff	Deposits	Cleaning
Wheel does not turn	General defect	see maintenance!

Fault	Potential cause	Remedy
Uneven running of the wheel	Severe uneven tread wear	see maintenance!
Chair frame too unstable	Screw connections too loose	Screw connections: Tighten frame, wheel inserts
Wheel insert bent/distorted	Hitting an obstacle	see maintenance!
Lever for tilt adjustment does not function	Jammed, broken, deposits Screw connections too loose or too tight	Inspection, Maintenance
No function of tilt adjustment	Functional defect	Inspection, maintenance
No function of headrest adjustment	Functional defect	Inspection, maintenance

13 Cleaning & disinfection

13.1 General information



Attention: Danger of pinching or catching when cleaning the footrests!

- Please note section 4.

- The product is not suitable for machine cleaning and disinfection. Please observe the reprocessing instructions (01.12.158).
 - Only the bucket is suitable for machine cleaning and disinfection.
- Do not use hard objects such as spatulas, wire brushes or metal sponges.
- Observe protection against infection. Disinfect the article before reuse.
- Do not mix different detergents & disinfectants.

13.2 Cleaning

- Coarse soiling must be removed immediately after use.
- The seat cover, seat, leg support and bucket must be disassembled before cleaning.
 - These articles must be cleaned and dried separately.
- Only use commercially available cleaning agents with a pH value of 5-9.
- Observe the information on the mixing ratio.
- Allow the cleaning agent to soak in according to the manufacturer's instructions.

- Remove the cleaning agent with warm water without leaving any residues.
- Wipe the product with a damp cloth after cleaning.
- Dry the product with a cloth after cleaning. The product may only be used when dry.

Exclusion:

- Cleaning agents must not contain chlorine or strong acids.
- Do not use cleaners with abrasive additives.
- Do not use high-pressure cleaners.

13.3 Disinfection

- The product is not intended for steam or hot air sterilisation. Observe the temperature limits for use (2.2).
- Only use surface disinfectants that have been tested and approved by the Robert Koch Institute.
 - Agents based on (form)aldehyde or alcohol are permissible.
- Observe material approvals of disinfectant manufacturers. The product consists of the following components or materials:
 - Polyamide: Frame, armrests, footrests
 - Polyurethane: Seat, backrest, leg support, headrest
 - Polypropylene: Bucket & holder
 - Polyethylene: Nameplate
 - Aluminium: Tubes
 - Stainless steel: Screws, washers. Nuts
- Observe the information on the mixing ratio.
- Observe the safety instructions of the disinfectant manufacturer.
- Apply the disinfectant to the surface by spraying or rubbing.
- Allow it to take effect. Observe the specified exposure times.
- Depending on the disinfectant, subsequent wiping with warm water may be necessary.
- Remove the disinfectant without leaving any residues.

Exclusion:

- Do not use alcohol-based agents at the stickers & nameplates.
- Cleaning agents must not contain chlorine or strong acids.

14 Maintenance

- Wear and tear that is not recognised in time and/or improper handling, as well as irregular or no maintenance may result in accidents.



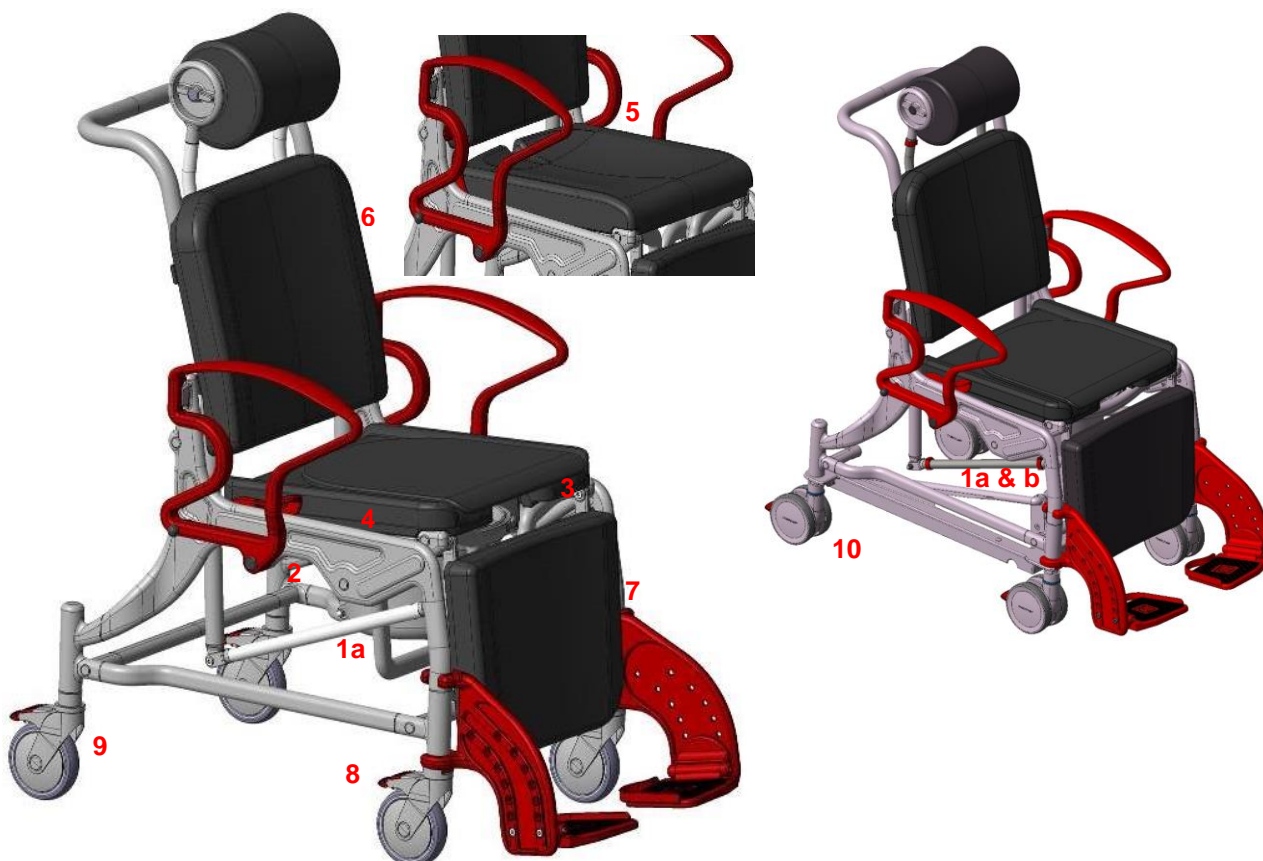
*For safety reasons, the product must be professionally maintained **at least once a year**.*

- Regular safety checks are required:
 - Check the product and accessories for visible damage (cracks, breaks, loose parts)
 - Check stability before use
 - All screw connections for tightness
 - Function of the armrests and locking bolts
 - Function of the footrest
 - Running characteristics and tread of the wheels
 - Function of the parking brakes
 - Function of the headrest
 - Function of the tilt adjustment
- If you have any questions concerning the maintenance of the product, please contact an authorised dealer or a medical and healthcare supplies store. In the event of damage or repairs, contact your authorised dealer immediately.
- Do **not** make any unauthorised changes to the product. This may compromise its safety and proper function. **In such cases, REBOTEC will not assume any liability.**
- Only use OEM spare parts for repairs. See 15.
- After maintenance or repair work has been carried out, we recommend you clean the product before using it again.
- Please note section 15 and 7.
- *Please observe the maintenance instructions (02.11.151)*



*For documenting the maintenance and repair work, **REBOTEC** provides a Maintenance Report. The user manual and maintenance log can be ordered or viewed via www.rebotec.de. It is also possible to print the information and read it when needed.*

15 Spare parts & accessories

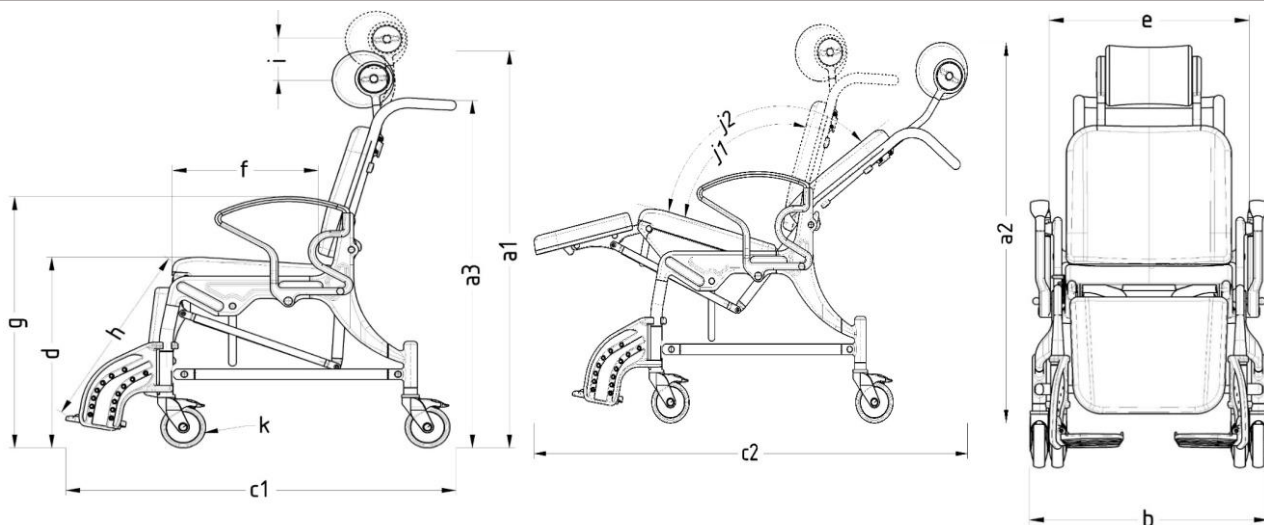


No.	Art. no.	Designation
1a	301.00	Toilet bucket with lid
1b	302.00	Toilet bowl
2	309.10	Bucket holder
3	440.10.62	PUR lining mat for shower and toilet seat
4	440.10.14	PUR shower seat
5	440.10.24	PUR shower seat, closed
6	450.10.16	PUR backrest cushion
7	450.10.17	PUR Leg support
8	448.00.83	Front wheel (Phoenix)
9	448.00.81	Rear wheel (Phoenix)
10	443.00.91	Wheel (Phoenix 200)
-	450.10.58	PUR Headrest, standard
-	450.10.59	PUR headrest, comfort
-	440.10.32	PUR Arm support
-	440.10.40	PUR Splash protection
-	02.07.135	User manual
-	02.11.151	Maintenance log



Use only REBOTEC spare parts and accessories to ensure the proper and safe functioning of the device.

16 Drawing & dimensions



No.	Designation	Type PU	Type PS	Type 200 PU	Type 200 PS
a1	Overall height		1230 mm		
a2	Overall height		1110 mm		
a3	Handlebar height		1060 mm		
b	Overall width	650 mm		675 mm	
c1	Overall depth		1110 mm		
c2	Overall depth		1435 mm		
d	Seat height		570 mm		
	Seat width		450 mm		
e	Width between armrests		540 mm		
f	Seat depth		430 mm		
g	Height to armrests		760 mm		
h	Knee height of footrest min.		440 mm		
	Knee height of footrest max.		520 mm		
i	Headrest height		120 mm		
j1	Seat angle		103°		
j2	Lying angle		128°		
k	Front castor diameter		125 mm		
	Rear castor diameter		125 mm		



Dimensions and weights may vary depending on the equipment. There might be minor deviations due to production tolerances. Subject to change without notice.







Forhandler i Danmark

CarePartner 

Lindevej 2
DK-4200 Slagelse

www.carepartner.dk
Tel.: +45 58 55 10 99
Mail: kontakt@carepartner.dk

EN



REBOTEC® Rehabilitationsmittel GmbH

D-49610 Quakenbrück, Artlandstr. 57-59

Telephone: +49 (0) 5431/9416-

Fax: +49 (0) 5431/9416-66

Web: www.rebotec.de

Email: info@rebotec.de



Read this user manual **before using the device for the first time** and keep it at hand for the user as well as for future use and subsequent sales.