



BeMe Seat

Spare Parts Catalogue



Supporting
Children



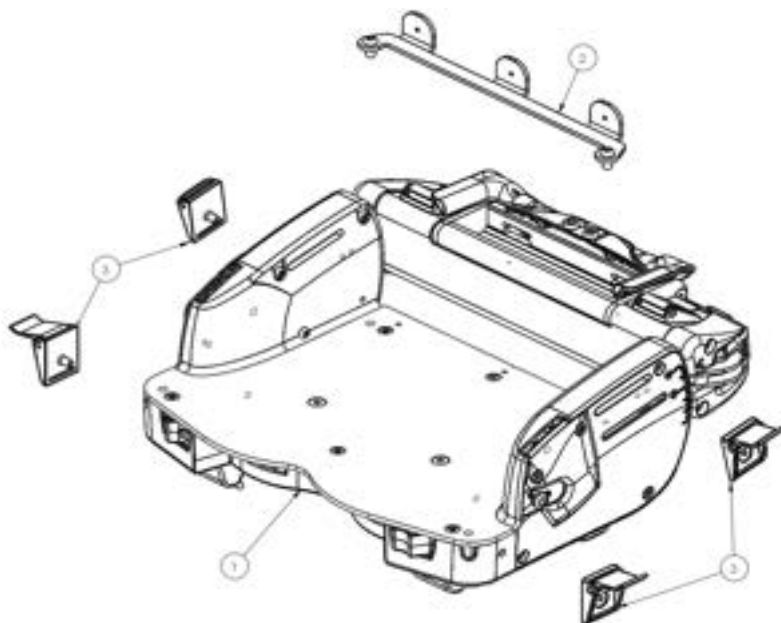
BeMe Seat

Contents

03	Seat Core
04	Basic Seat Hardware
06	Contoured Seat Hardware
08	Split Seat Hardware
10	Basic Backrest
12	Moderate Backrest
14	Complex Backrest
16	Dynamics
17	Sun Canopy
18	Power Wheelchair Interfaces
19	Manual Wheelchair Interfaces
20	Small Core to Medium Chassis Interface
21	Small Manual (Gas Spring) Chassis
22	Medium Manual (Gas Spring) Chassis
23	Medium Hydraulic Indoor Chassis
24	Medium Pump Action Hydraulic Outdoor Chassis
25	Extendable Push Handle
26	Large Hydraulic Chassis

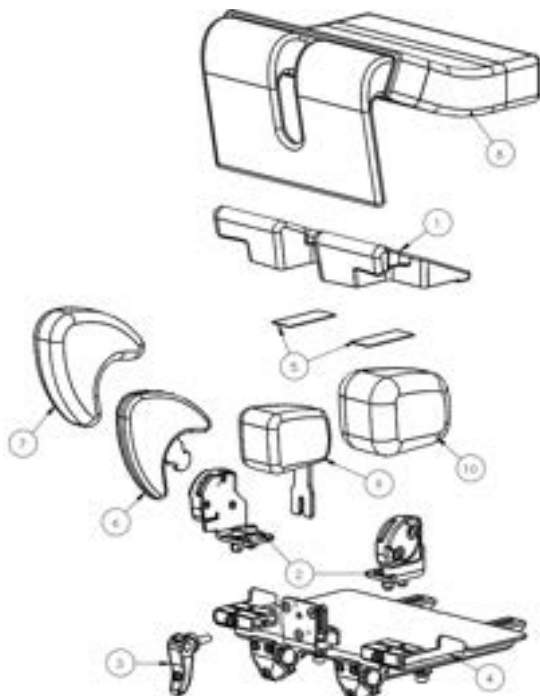
27	Large Power Chassis
28	Large Chassis Interface (150-375)
29	Femoral Gables and Receivers
30	One-Piece Footplate
31	Split Footplate
32	Headrest
33	Hip Guides
34	Rigid Lateral Brackets
35	Flipaway Lateral Brackets
36	Slim Lateral Pad
37	Wraparound Hugging Lateral Pads
38	Hinged Lateral Pad
39	Armrest
40	Size 1 Tray
41	Size 2 Tray
42	Size 3 Tray
43	Upholstery
44	Upholstery

BeMe - Seat Core



Pos.	Leckey Sales Code	Description	Seat Core Compatability		
			Small	Medium	Large
1	150-1601	BeMe Seat CORE (Small)	●		
1	150-2601	BeMe Seat CORE (Medium)		●	
1	150-3601	BeMe Seat CORE (Large)			●
2	150-15182	Seat CORE UPHOLSTERY ATTACHMENT (Small)	●		
2	150-25182	Seat CORE UPHOLSTERY ATTACHMENT (Medium)		●	
2	150-35182	Seat CORE UPHOLSTERY ATTACHMENT (Large)			●
3	150-5183	CAMLOCK PACK	●	●	●
Full Assembly	150-1601	BeMe Small Seat Core	●		
Full Assembly	150-2601	BeMe Medium Seat Core		●	
Full Assembly	150-3601	BeMe Large Seat Core			●

BeMe - Basic Seat Hardware

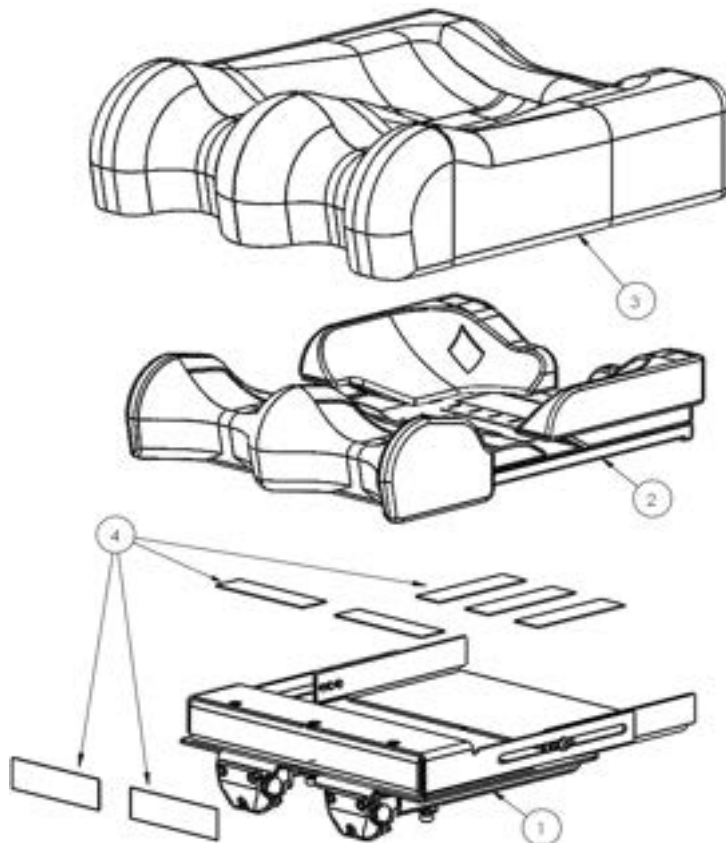


Pos.	Leckey Sales Code	Description	Seat Core Compatibility					Colour			
			Small	Medium	Medium-Long	Large	Large-Long	Blue	Purple	Grey	Red
1	150-15141	BASIC Seat FOAM RAMP (Small)	●								
1	150-25141	BASIC Seat FOAM RAMP (Medium)		●	●						
1	150-35141	BASIC Seat FOAM RAMP (Large)				●	●				
2	150-15142	GABLE RECEIVER PAIR (Small)	●								
2	150-25142	GABLE RECEIVER PAIR (Medium)		●	●						
2	150-35142	GABLE RECEIVER PAIR (Large)				●	●				
3	150-5143	POMMEL CAMLOCK	●	●	●	●	●				
4	150-15144	BASIC Seat PLATE (Small)	●								
4	150-25144	BASIC Seat PLATE (Medium)		●							
4	150-35144	BASIC Seat PLATE (Large)				●					
4	150-45144	BASIC Seat PLATE (Medium-Long)			●						
4	150-55144	BASIC Seat PLATE (Large-Long)					●				

BeMe - Basic Seat Hardware

Pos.	Lecky Sales Code	Description	Seat Core Compatibility					Colour			
			Small	Medium	Medium Long	Large	Large-Long	Blue	Purple	Grey	Red
5	150-15145	VELCRO PAIR FOR BASIC Seat PLATE (Small)	●								
5	150-25145	VELCRO PAIR FOR BASIC Seat PLATE (Medium)		●	●						
5	150-35145	VELCRO PAIR FOR BASIC Seat PLATE (Large)				●	●				
Full Assembly	150-1637	Small Basic Seat hardware (no upholstery)	●								
Full Assembly	150-2637	Medium Basic Seat hardware (no upholstery)		●							
Full Assembly	150-4637	Medium-Long Basic Seat hardware (no upholstery)			●						
Full Assembly	150-3637	Large Basic Seat hardware (no upholstery)				●					
Full Assembly	150-5637	Large-Long Basic Seat hardware (no upholstery)					●				
6	150-1615	SINGLE FEMORAL GABLE (Small)	●	●	●	●	●				
6	150-2615	SINGLE FEMORAL GABLE (Medium)	●	●	●	●	●				
6	150-3615	SINGLE FEMORAL GABLE (Large)	●	●	●	●	●				
6	150-4615	SINGLE FEMORAL GABLE (X-Large)	●	●	●	●	●				
7	150-1862	SINGLE PADDED COVER FOR FEMORAL GABLE (Small)	●	●	●	●	●				
7	150-2862	SINGLE PADDED COVER FOR FEMORAL GABLE (Medium)	●	●	●	●	●				
7	150-3862	SINGLE PADDED COVER FOR FEMORAL GABLE (Large)	●	●	●	●	●				
7	150-4862	SINGLE PADDED COVER FOR FEMORAL GABLE (X-Large)	●	●	●	●	●				
8	150-1840-XX	BASIC Seat COVER WITH STRETCH FOAM (Small)	●					-02	-04	-08	-09
8	150-2840-XX	BASIC Seat COVER WITH STRETCH FOAM (Medium)		●				-02	-04	-08	-09
8	150-3840-XX	BASIC Seat COVER WITH STRETCH FOAM (Large)				●		-02	-04	-08	-09
8	150-4840-XX	BASIC Seat COVER WITH STRETCH FOAM (Medium-Long)			●			-02	-04	-08	-09
8	150-5840-XX	BASIC Seat COVER WITH STRETCH FOAM (Large-Long)					●	-02	-04	-08	-09
9	150-1624	POMMEL (Small)	●								
9	150-2624	POMMEL (Medium)		●	●						
9	150-3624	POMMEL (Large)				●	●				
10	150-1864	POMMEL COVER (Small)	●								
10	150-2864	POMMEL COVER (Medium)		●	●						
10	150-3864	POMMEL COVER (Large)				●	●				

BeMe - Contoured Seat Hardware

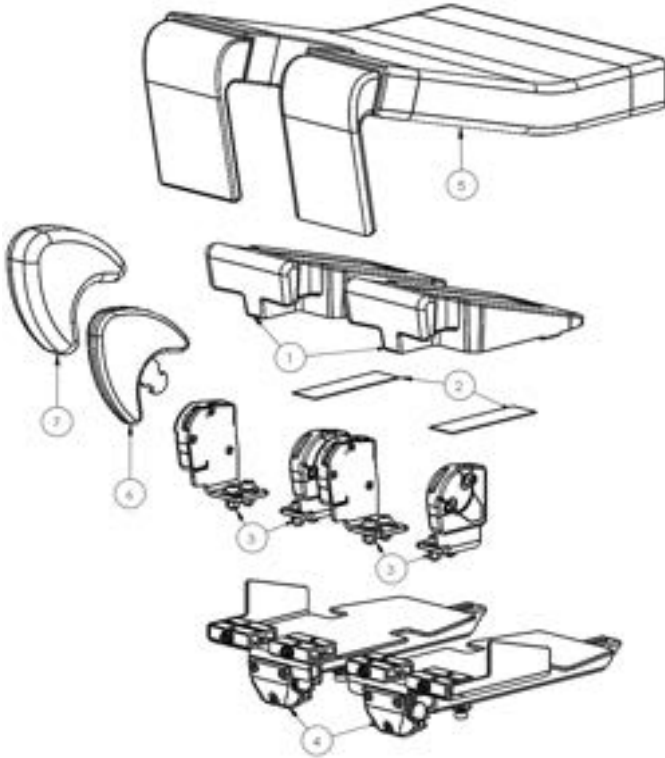


Pos.	Leckey Sales Code	Description	Seat Core Compaatability					Colour			
			Small	Medium	Medium-Long	Large	Large-Long	Blue	Purple	Grey	Red
1	150-15171	Contoured Seat Base (Small)	●								
1	150-25171	Contoured Seat Base (Medium)		●	●						
1	150-35171	Contoured Seat Base (Large)				●	●				
1	150-45171	Contoured Seat Base (Medium-Long)	●								
1	150-55171	Contoured Seat Base (Large-Long)		●	●						
2	150-15172	Contoured Seat PADS (Small)				●	●				
2	150-25172	Contoured Seat PADS (Medium)	●	●	●	●	●				
2	150-35172	Contoured Seat PADS (Large)	●								

BeMe - Contoured Seat Hardware

Pos.	Leckey Sales Code	Description	Seat Core Compatability					Colour			
			Small	Medium	Medium-Long	Large	Large-Long	Blue	Purple	Grey	Red
3	150-1860-XX	Contoured Seat COVER WITH STRETCH FOAM (Small)	●					-02	-04	-08	-09
3	150-2860-XX	Contoured Seat COVER WITH STRETCH FOAM (Medium)		●				-02	-04	-08	-09
3	150-3860-XX	Contoured Seat COVER WITH STRETCH FOAM (Large)				●		-02	-04	-08	-09
3	150-4860-XX	Contoured Seat COVER WITH STRETCH FOAM (Medium-Long)			●			-02	-04	-08	-09
3	150-5860-XX	Contoured Seat COVER WITH STRETCH FOAM (Large-Long)					●	-02	-04	-08	-09
4	150-15174	Seat Base VELCRO PACK (Small)	●								
4	150-25174	Seat Base VELCRO PACK (Medium)		●	●						
4	150-35174	Seat Base VELCRO PACK (Large)				●	●				
Full Assembly	150-1638	Small Contoured Seat (no upholstery)	●								
Full Assembly	150-2638	Medium Contoured Seat (no upholstery)		●							
Full Assembly	150-4638	Medium-Long Contoured Seat (no upholstery)			●						
Full Assembly	150-3638	Large Contoured Seat (no upholstery)				●					
Full Assembly	150-5638	Large-Long Contoured Seat (no upholstery)					●				

BeMe - Split Seat Hardware

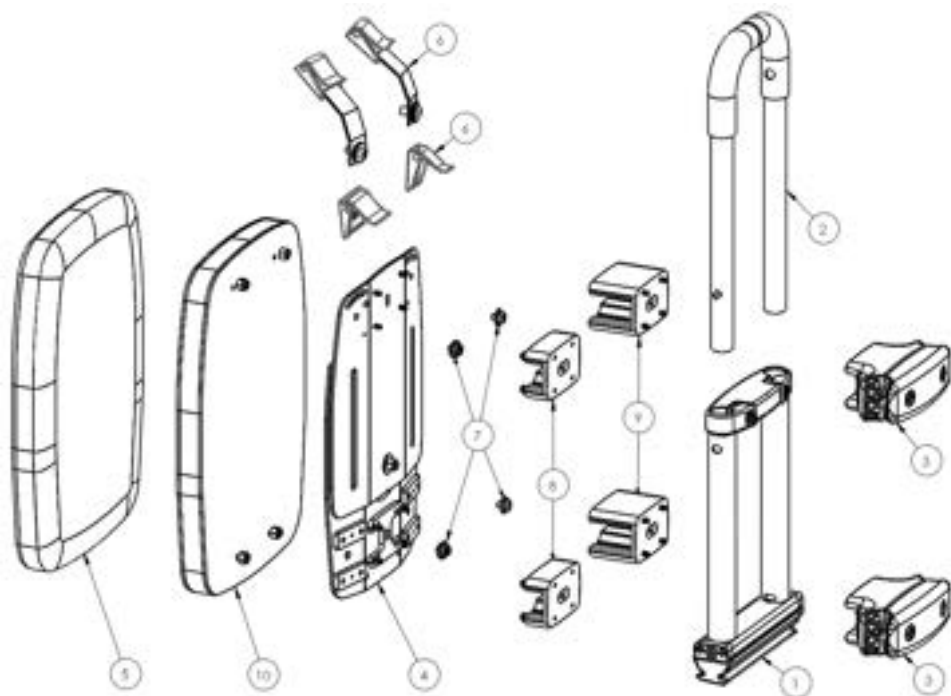


Pos.	Leckey Sales Code	Description	Seat Core Compatibility					Colour			
			Small	Medium	Medium-Long	Large	Large-Long	Blue	Purple	Grey	Red
1	150-25151	SPLIT Seat FOAM RAMP PAIR (Medium)		●	●						
1	150-35151	SPLIT Seat FOAM RAMP PAIR (Large)				●	●				
2	150-25152	VELCRO PAIR FOR SPLIT Seat PLATE (Medium)		●	●						
2	150-35152	VELCRO PAIR FOR SPLIT Seat PLATE (Large)				●	●				
3	150-25142	GABLE RECEIVER PAIR (Medium)		●	●						
3	150-35142	GABLE RECEIVER PAIR (Large)				●	●				
4	150-25154	SPLIT Seat PLATE PAIR (Medium)		●							
4	150-35154	SPLIT Seat PLATE PAIR (Large)				●					
4	150-45154	SPLIT Seat PLATE PAIR (Medium-Long)			●						
4	150-55154	SPLIT Seat PLATE PAIR (Large-Long)					●				

BeMe - Split Seat Hardware

Pos.	Leckey Sales Code	Description	Seat Core Compatability					Colour			
			Small	Medium	Medium-Long	Large	Large-Long	Blue	Purple	Grey	Red
Full Assembly	150-2639	Medium Split Seat hardware (no upholstery)									
Full Assembly	150-4639	Medium-Long Split Seat hardware(no upholstery)									
Full Assembly	150-3639	Large Split Seat hardware (no upholstery)									
Full Assembly	150-5639	Large-Long Split Seat hardware (no upholstery)									
5	150-2850-XX	SPLIT Seat COVER WITH STRETCH FOAM [Medium]		●				-02	-04	-08	-09
5	150-3850-XX	SPLIT Seat COVER WITH STRETCH FOAM [Large]				●		-02	-04	-08	-09
5	150-4850-XX	SPLIT Seat COVER WITH STRETCH FOAM [Medium-Long]			●			-02	-04	-08	-09
5	150-5850-XX	SPLIT Seat COVER WITH STRETCH FOAM [Large-Long]					●	-02	-04	-08	-09
6	150-1615	SINGLE FEMORAL GABLE [Small]		●	●	●	●				
6	150-2615	SINGLE FEMORAL GABLE [Medium]		●	●	●	●				
6	150-3615	SINGLE FEMORAL GABLE [Large]		●	●	●	●				
6	150-4615	SINGLE FEMORAL GABLE [X-Large]		●	●	●	●				
7	150-1862	SINGLE PADDED COVER FOR FEMORAL GABLE [Small]		●	●	●	●				
7	150-2862	SINGLE PADDED COVER FOR FEMORAL GABLE [Medium]		●	●	●	●				
7	150-3862	SINGLE PADDED COVER FOR FEMORAL GABLE [Large]		●	●	●	●				
7	150-4862	SINGLE PADDED COVER FOR FEMORAL GABLE [X-Large]		●	●	●	●				

BeMe - Basic Backrest

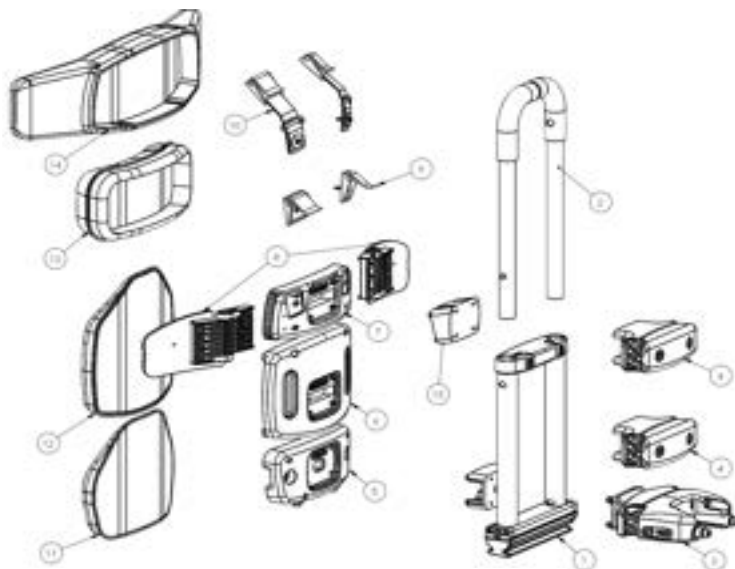


Pos.	Leckey Sales Code	Description	Backrest Compatability			Colour			
			Small	Medium	Large	Blue	Purple	Grey	Red
1	150-15001	BACKREST LOWER FRAME (Small)	●						
1	150-25001	BACKREST LOWER FRAME (Medium)		●					
1	150-35001	BACKREST LOWER FRAME (Large)			●				
2	150-15002	BACKREST UPPER FRAME (Small)	●						
2	150-25002	BACKREST UPPER FRAME (Medium)		●					
2	150-35002	BACKREST UPPER FRAME (Large)			●				
3	150-5003	BASIC BACKREST CLAMP	●	●	●				
4	150-15004	BASIC BACKREST (Small)	●						
4	150-25004	BASIC BACKREST (Medium)		●					
4	150-35004	BASIC BACKREST (Large)			●				

BeMe - Basic Backrest

Pos.	Leckey Sales Code	Description	Backrest Compatibility			Colour			
			Small	Medium	Large	Blue	Purple	Grey	Red
5	150-1870-XX	BASIC BACKREST COVER (Small)	●			-02	-04	-08	-09
5	150-2870-XX	BASIC BACKREST COVER (Medium)		●		-02	-04	-08	-09
5	150-3870-XX	BASIC BACKREST COVER (Large)			●	-02	-04	-08	-09
6	150-15006	BASIC BACKREST BUCKLE (Small)	●						
6	150-25006	BASIC BACKREST BUCKLE (Medium & Large)		●	●				
7	150-5007	POPPERS FOR COVER	●	●	●				
8	150-1790	SPACER PAIR 25MM	●	●	●				
9	150-1791	SPACER PAIR 50MM	●	●	●				
10	150-150010	BASIC BACKREST FOAM (Small)	●						
10	150-250010	BASIC BACKREST FOAM (Medium)		●					
10	150-350010	BASIC BACKREST FOAM (Large)			●				
Full Assembly	150-1625	Small Basic Backrest Hardware and Foam (No Cover)	●						
Full Assembly	150-2625	Medium Basic Backrest Hardware and Foam (No Cover)		●					
Full Assembly	150-3625	Large Basic Backrest Hardware and Foam (No Cover)			●				

BeMe - Moderate Backrest

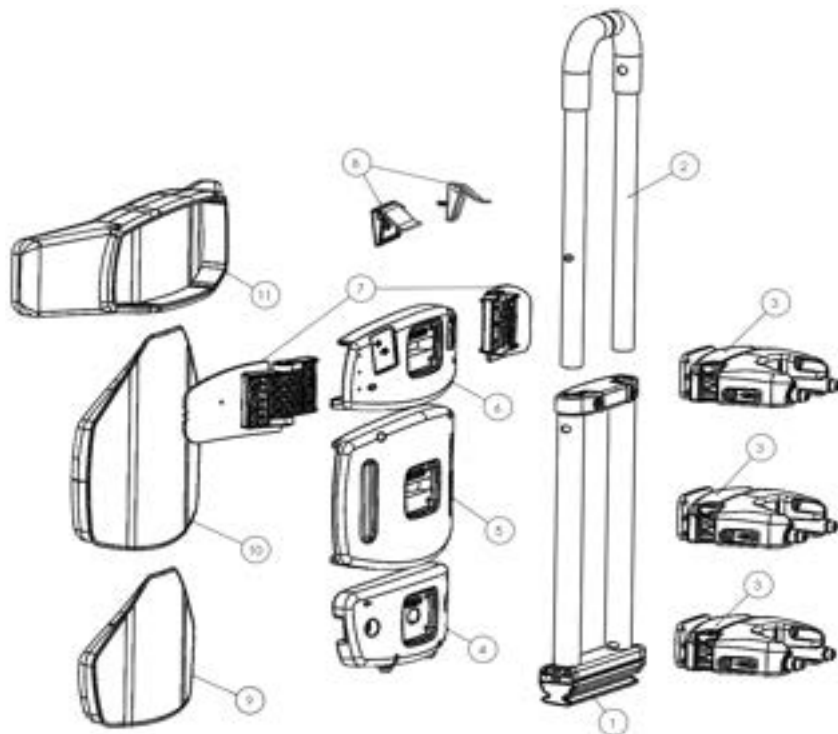


Pos.	Leckey Sales Code	Description	Backrest Comptability			Colour			
			Small	Medium	Large	Blue	Purple	Grey	Red
1	150-15001	BACKREST LOWER FRAME (Small)	●						
1	150-25001	BACKREST LOWER FRAME (Medium)		●					
1	150-35001	BACKREST LOWER FRAME (Large)			●				
2	150-15002	BACKREST UPPER FRAME (Small)	●						
2	150-25002	BACKREST UPPER FRAME (Medium)		●					
2	150-35002	BACKREST UPPER FRAME (Large)			●				
3	150-5213	COMPLEX BACKREST CLAMP	●	●	●				
4	150-5003	BASIC BACKREST CLAMP	●	●	●				
5	150-15215	SACRAL SUPPORT (Small)	●						
5	150-25215	SACRAL SUPPORT (Medium)		●					
5	150-35215	SACRAL SUPPORT (Large)			●				
6	150-15216	THORACIC SUPPORT (Small)	●						
6	150-25216	THORACIC SUPPORT (Medium)		●					
6	150-35216	THORACIC SUPPORT (Large)			●				
7	150-15217	SHOULDER SUPPORT (Small)	●						
7	150-25217	SHOULDER SUPPORT (Medium)		●					
7	150-35217	SHOULDER SUPPORT (Large)			●				

BeMe - Moderate Backrest

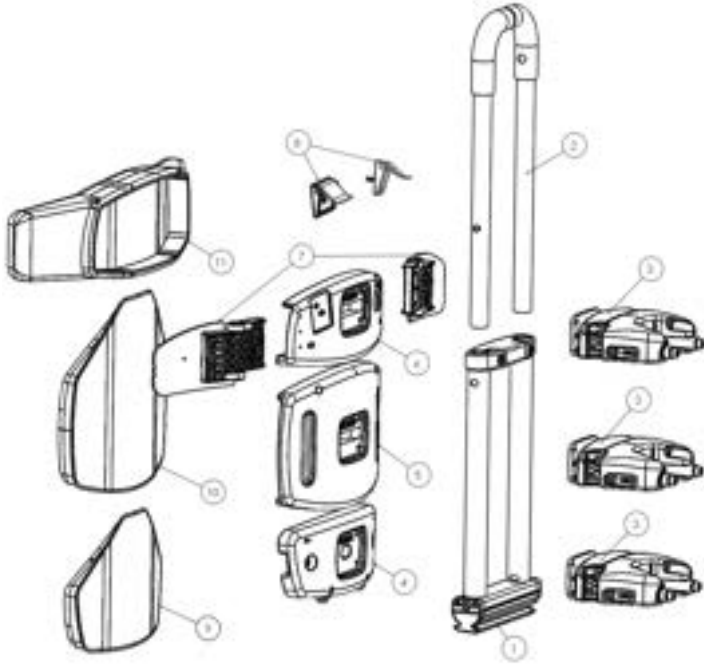
Pos.	Lecley Sales Code	Description	Backrest Compatibility			Colour			
			Small	Medium	Large	Blue	Purple	Grey	Red
8	150-2633	SHOULDER WING UPGRADE (Medium) - PAIR		●					
8	150-3633	SHOULDER WING UPGRADE (Large) - PAIR			●				
9	150-25219	BACKREST BUCKLE (Medium & Large)		●	●				
10	150-152110	BACKREST BUCKLE (Small)	●						
11	150-152111-XX	SACRAL COVER (Small)	●			-02	-04	-08	-09
11	150-252111-XX	SACRAL COVER (Medium)		●		-02	-04	-08	-09
11	150-352111-XX	SACRAL COVER (Large)			●	-02	-04	-08	-09
12	150-152112-XX	THORACIC COVER (Small)	●			-02	-04	-08	-09
12	150-252112-XX	THORACIC COVER (Medium)		●		-02	-04	-08	-09
12	150-352112-XX	THORACIC COVER (Large)			●	-02	-04	-08	-09
13	150-152113-XX	SHOULDER COVER (Small)	●			-02	-04	-08	-09
13	150-252113-XX	SHOULDER COVER (Medium)		●		-02	-04	-08	-09
13	150-352113-XX	SHOULDER COVER (Large)			●	-02	-04	-08	-09
14	150-252114-XX	SHOULDER WITH WINGS COVER (Medium)		●		-02	-04	-08	-09
14	150-352114-XX	SHOULDER WITH WINGS COVER (Large)			●	-02	-04	-08	-09
15	150-1792	15 DEGREE ANGLE SPACER FOR MODERATE	●	●	●				
Full Assembly	150-1630	Small Moderate Backrest Hardware (No Upholstery)	●						
Full Assembly	150-2630	Medium Moderate Backrest Hardware (No Upholstery)		●					
Full Assembly	150-3630	Large Moderate Backrest Hardware (No Upholstery)			●				
Upholstery Set	150-1800-XX	Small Moderate Backrest Cushions and Covers	●			-02	-04	-08	-09
Upholstery Set	150-2800-XX	Medium Moderate Backrest Cushions and Covers		●		-02	-04	-08	-09
Upholstery Set	150-3800-XX	Large Moderate Backrest Cushions and Covers			●	-02	-04	-08	-09

BeMe - Complex Backrest



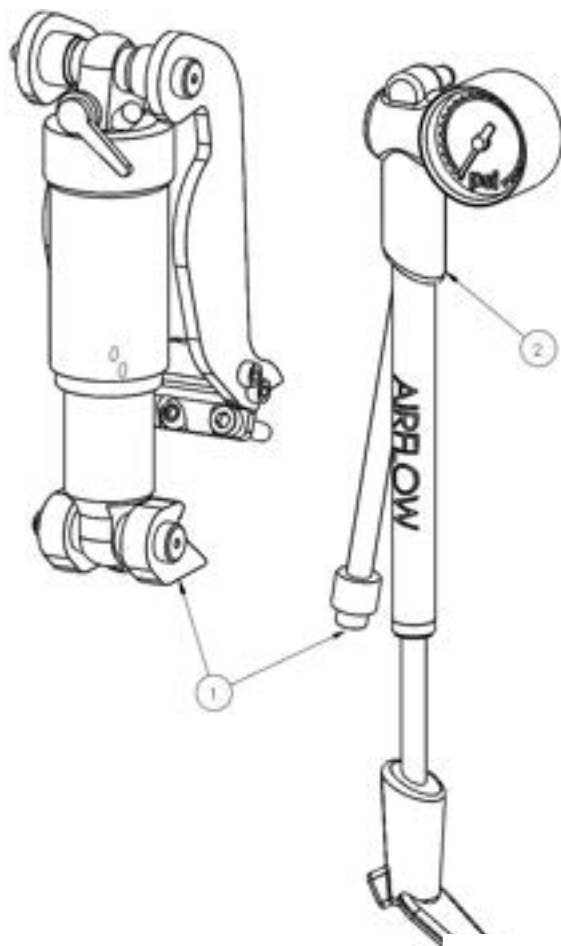
Pos.	Lecky Sales Code	Description	Backrest Compatibility		Colour			
			Medium	Large	Blue	Purple	Grey	Red
1	150-25001	BACKREST LOWER FRAME (Medium)	●					
1	150-35001	BACKREST LOWER FRAME (Large)		●				
2	150-25002	BACKREST UPPER FRAME (Medium)	●					
2	150-35002	BACKREST UPPER FRAME (Large)		●				
3	150-5213	COMPLEX BACKREST CLAMP	●	●				
4	150-25215	SACRAL SUPPORT (Medium)	●					
4	150-35215	SACRAL SUPPORT (Large)		●				
5	150-25216	THORACIC SUPPORT (Medium)		●				
5	150-35216	THORACIC SUPPORT (Large)		●				
6	150-25217	SHOULDER SUPPORT (Medium)	●					
6	150-35217	SHOULDER SUPPORT (Large)		●				

BeMe - Complex Backrest



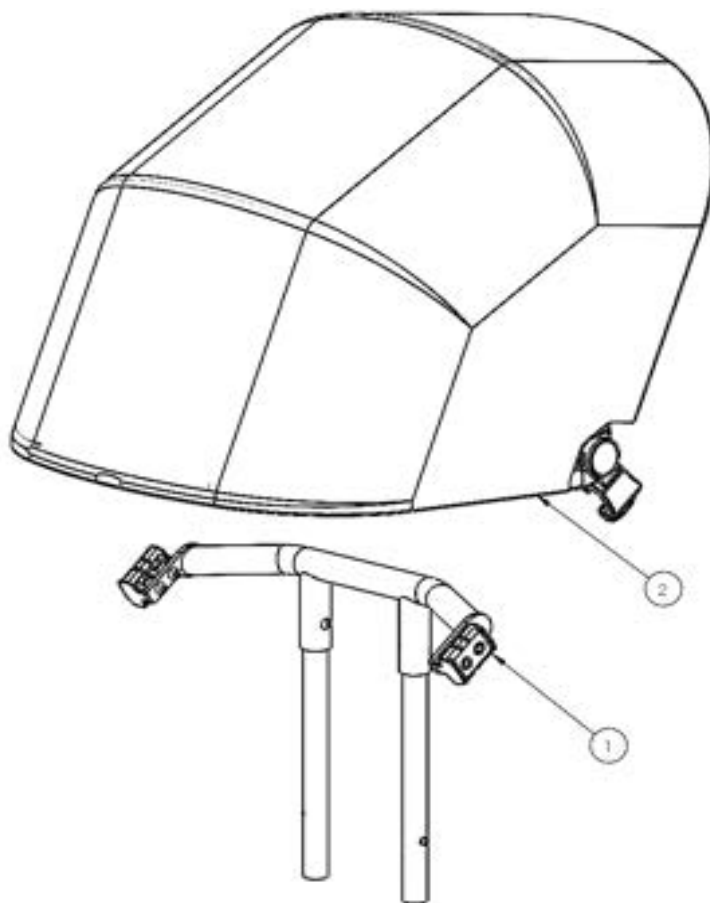
Pos.	Leckey Sales Code	Description	Backrest Compatibility		Colour			
			Medium	Large	Blue	Purple	Grey	Red
7	150-2633	SHOULDER WING UPGRADE (Medium) - PAIR	●					
7	150-3633	SHOULDER WING UPGRADE (Large) - PAIR		●				
8	150-15219	BACKREST BUCKLE (Medium & Large)	●	●				
9	150-252111-XX	SACRAL COVER (Medium)	●		-02	-04	-08	-09
9	150-352111-XX	SACRAL COVER (Large)		●	-02	-04	-08	-09
10	150-252112-XX	THORACIC COVER (Medium)		●	-02	-04	-08	-09
10	150-352112-XX	THORACIC COVER (Large)		●	-02	-04	-08	-09
11	150-252113-XX	SHOULDER WING UPGRADE COVER (Medium)	●		-02	-04	-08	-09
11	150-352113-XX	SHOULDER WING UPGRADE COVER (Large)		●	-02	-04	-08	-09
Full Assembly	150-2631	Medium Complex 3D Backrest Hardware (No Upholstery)	●					
Full Assembly	150-3631	Large Complex 3D Backrest Hardware (No Upholstery)		●				
Upholstery Set	150-4800-XX	Medium Complex Backrest Cushions and Covers	●		-02	-04	-08	-09
Upholstery Set	150-5800-XX	Large Complex Backrest Cushions and Covers		●	-02	-04	-08	-09

BeMe - Dynamics



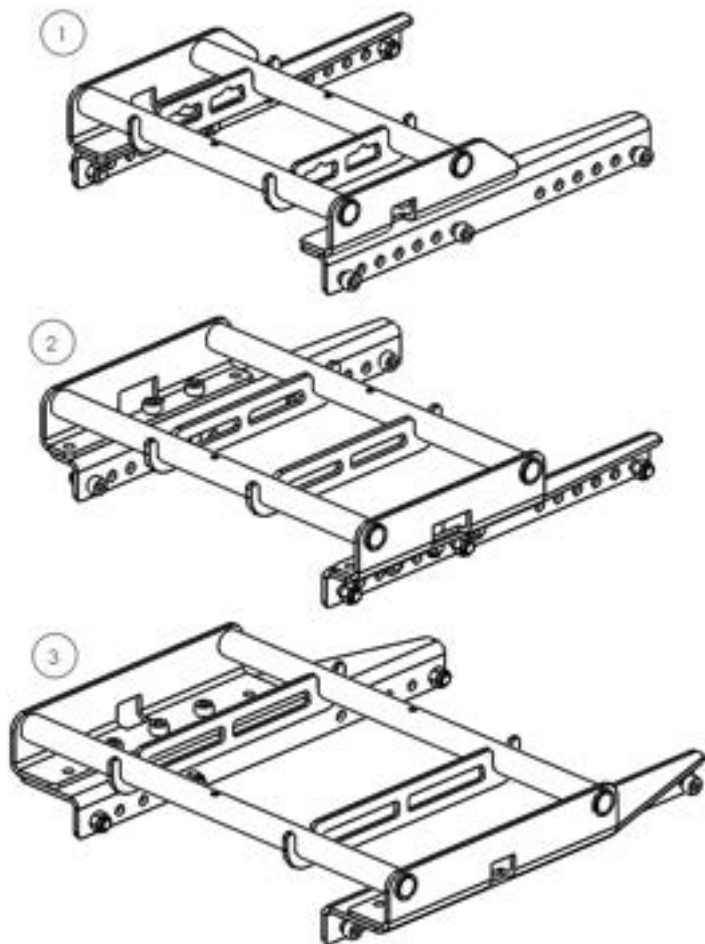
Pos.	Lecky Sales Code	Description	Seat Core Compatibility		
			Small	Medium	Large
1	150-605	DYNAMIC UPGRADE KIT (INCLUDING PUMP)	●	●	●
2	150-5111	BeMe DYNAMIC AIR PUMP	●	●	●

BeMe - Sun Canopy



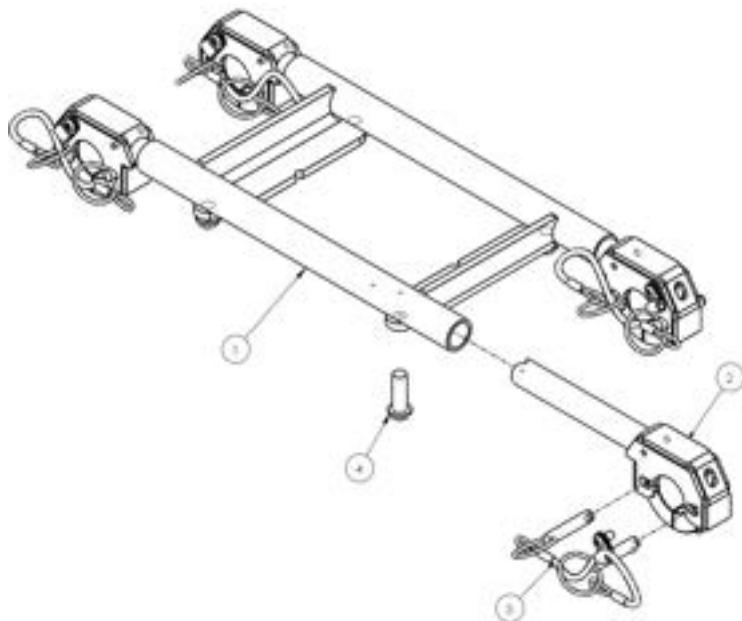
Pos.	Leckey Sales Code	Description	Backrest Compatibility	
			Small	Medium
1	150-15191	CANOPY FRAME (Small)	●	
1	150-25191	CANOPY FRAME (Medium)		●
2	150-15192	CANOPY COVER	●	●
Full Assembly	150-1645	Sun/Rain Canopy for Small Backrest	●	
Full Assembly	150-2645	Sun/Rain Canopy for Medium Backrest		●

BeMe - Power Wheelchair Interfaces



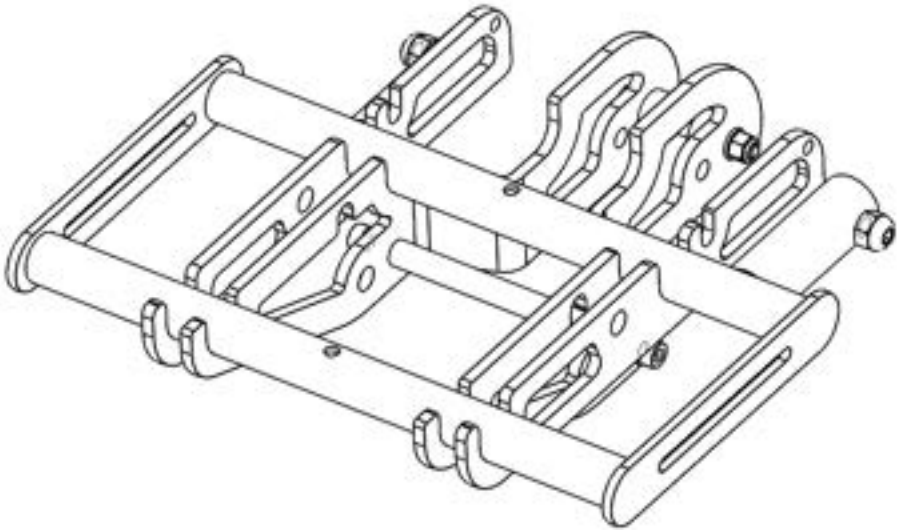
Pos.	Leckey Sales Code	Description	Seat Core Compatibility		
			Small	Medium	Large
1	150-1771	Interface for Small BeMe on to Q300	●		
2	150-2771	Interface for Medium BeMe on to Q300 or Q400		●	
3	150-3771	Interface for Large BeMe on to Q300 or Q400			●

BeMe - Manual Wheelchair Interface



Pos.	Leckey Sales Code	Description	Seat Core Compatibility		
			Small	Medium	Large
1	150-15311	INTERFACE FRAME (Small BeMe)	●		
1	150-25311	INTERFACE FRAME (Medium BeMe)		●	
1	150-35311	INTERFACE FRAME (Large BeMe)			●
2	150-15312	INTERFACE ADJUSTER (Small BeMe)	●		
2	150-25312	INTERFACE ADJUSTER (Medium BeMe)		●	
2	150-35312	INTERFACE ADJUSTER (Large BeMe)			●
3	194-850	INTERFACE BOLT KIT (ALL INCLUDED)	●	●	●
4	150-5314	INTERFACE FRAME BOLT PACK	●	●	●
Full Assembly	150-1760	Interface for Small BeMe on to Zippie Iris, Quickie Iris, Quickie SR45	●		
Full Assembly	150-2760	Interface for Medium BeMe on to Zippie Iris, Quickie Iris, Quickie SR45		●	
Full Assembly	150-3760	Interface for Large BeMe on to Zippie Iris, Quickie Iris or Quickie SR45			●

BeMe - Small Core to Medium Chassis Interface



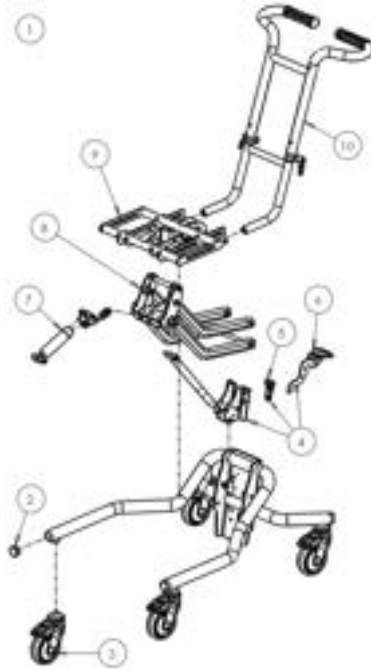
Pos.	Leckey Sales Code	Description	Seat Core Compatability		
			Small	Medium	Large
1	150-818	Small Seat to Medium Chassis Interface	●		

BeMe - Small Manual (Gas Spring) Chassis



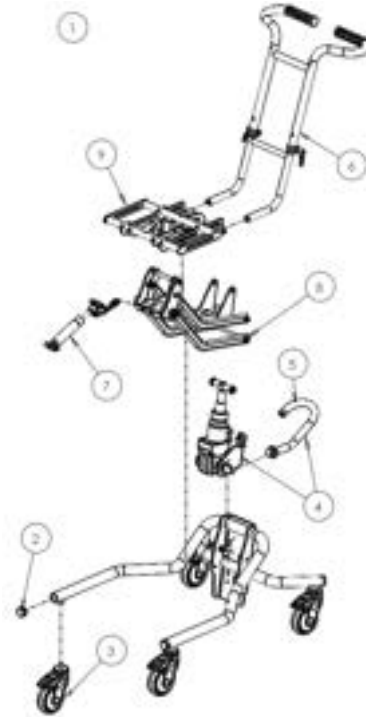
Pos.	Leckey Sales Code	Description	Seat Core Compatibility		
			Small	Medium	Large
1	150-1800-G	Small Manual (Gas Spring) Chassis [Excluding Push Handle]	●		
2	150-5232	Chassis Arm Assy	●		
3	120-812	Tilt Spring Assembly	●		
4	SJ220	M8x12 Button Head (Single)	●		
5	120-811	Lift Spring Assembly	●		
6	150-5236	Chassis Rear Moulding	●		
7	118-161	Castor Tube Insert Kit (Single)	●		
8	IA34	75Mm Castor Grey (Single)	●		
9	122-2710	Extendable Push Handle	●		
Full Assembly	150-1800-G	Small Manual (Gas Spring) High-Low Chassis	●		

BeMe - Medium Manual (Gas Spring) Chassis



Pos.	Leckey Sales Code	Description	Seat Core Compatibility		
			Small	Medium	Large
1	150-2753-G	Medium MANUAL (GAS SPRING) CHASSIS (EXCLUDING PUSH HANDLE)		●	
2	SH62	1 1/4" ROUND BLACK INSERT [4 PACK]		●	
3	IA13	CASTOR [SINGLE]		●	
4	150-5244	CHASSIS GAS SPRING - LIFT (Grey)		●	
5	150-5245	LOCKING PIN KIT (Grey)		●	
6	102-2692	Long FOOT PEDAL		●	
7	117-937	INTERFACE ARM LEVER - TILT		●	
8	150-5248	LEVER ARM ASSEMBLY (Grey)		●	
9	150-5249	HILO INTERFACE (Medium BeMe)		●	
10	122-2710	EXTENDABLE PUSH HANDLE		●	
Full Assembly	50-2753-G	Medium Manual (Gas Spring) High-Low Chassis		●	

BeMe - Medium Hydraulic Indoor Chassis



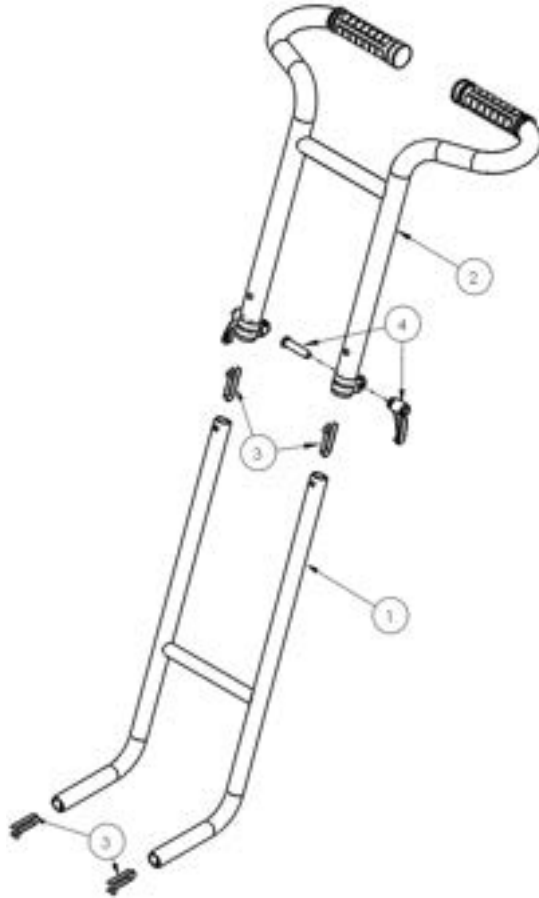
Pos.	Leckey Sales Code	Description	Seat Core Compatibility		
			Small	Medium	Large
1	150-2766-G	Medium PUMP ACTION INDOOR CHASSIS (EXCLUDING PUSH HANDLE)		●	
2	SH62	1 1/4" ROUND BLACK INSERT [4 PACK]		●	
3	IA13	CASTOR [SINGLE]		●	
4	150-5254	OUTDOOR CHASSIS HYDRAULIC PACK - LIFT (Grey)		●	
5	150-5255	HYDRAULIC FOOTPEDAL		●	
6	122-2710	EXTENDABLE PUSH HANDLE		●	
7	117-937	INTERFACE ARM LEVER - TILT		●	
8	150-5258	LEVER ARM (HYDRAULIC)		●	
9	150-5249	HILO INTERFACE (Medium BeMe)		●	
Full Assembly	150-2766-G	Medium Pump Action (Hydraulic) High-Low Chassis		●	

BeMe - Medium Pump Action Hydraulic Outdoor Chassis



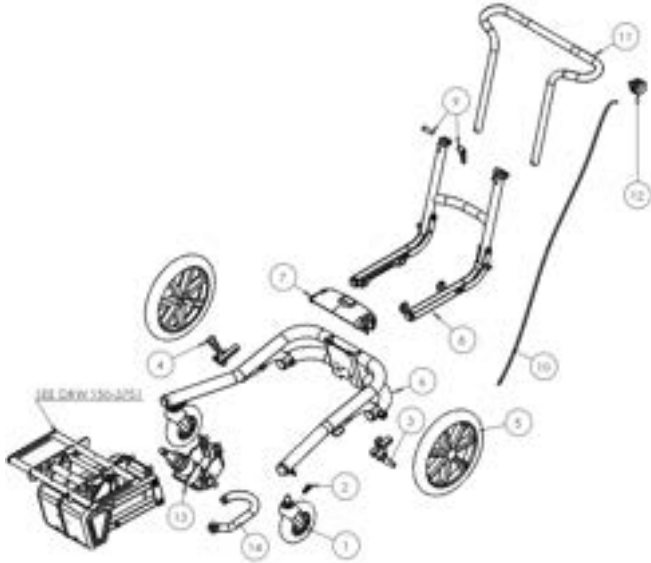
Pos.	Leckey Sales Code	Description	Seat Core Compatibility		
			Small	Medium	Large
1	150-2768-G	Medium Pump Action Hydraulic Outdoor Chassis (Excluding Push Handle)		●	
2	SH62	1 1/4" ROUND BLACK INSERT [4 PACK]		●	
3	133-2084	150mm Front Castor [Single]		●	
4	IA19	Lock Pin [Single]		●	
5	133-2087	315mm Rear Wheel [Single]		●	
6	133-2085	LH Brake Assy		●	
7	133-2086	RH Brake Assy		●	
8	150-5254	Outdoor Chassis Hydraulic Pack - Lift (Grey)		●	
9	150-5255	Hydraulic Footpedal		●	
10	117-937	Interface Arm Lever - Tilt		●	
11	150-5258	Lever Arm (Hydraulic)		●	
12	150-5249	Hilo Interface (Medium Beme)		●	
13	122-2710-G	Extendable Push Handle		●	
Full Assembly	150-2768-G	Medium Pump Action (Hydraulic) Outdoor High-Low Chassis		●	

BeMe - Extendable Push Handle



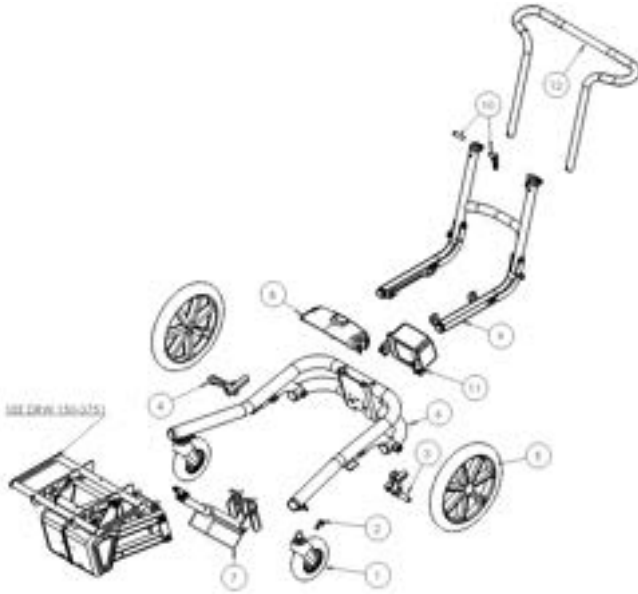
Pos.	Leckey Sales Code	Description	Chassis Compatibility		
			Small	Medium	Large
1	150-5321	Extendable Handle Lower Assembly	●	●	
2	150-5322	Extendable Handle Upper Assembly	●	●	
3	150-5323	Extendable Handle Popper Pack	●	●	
4	150-5324	Ratchet Handle Pair	●	●	
Full Assembly	122-2710	Push Handle for Small and Medium Chassis	●	●	

BeMe - Large Hydraulic Chassis



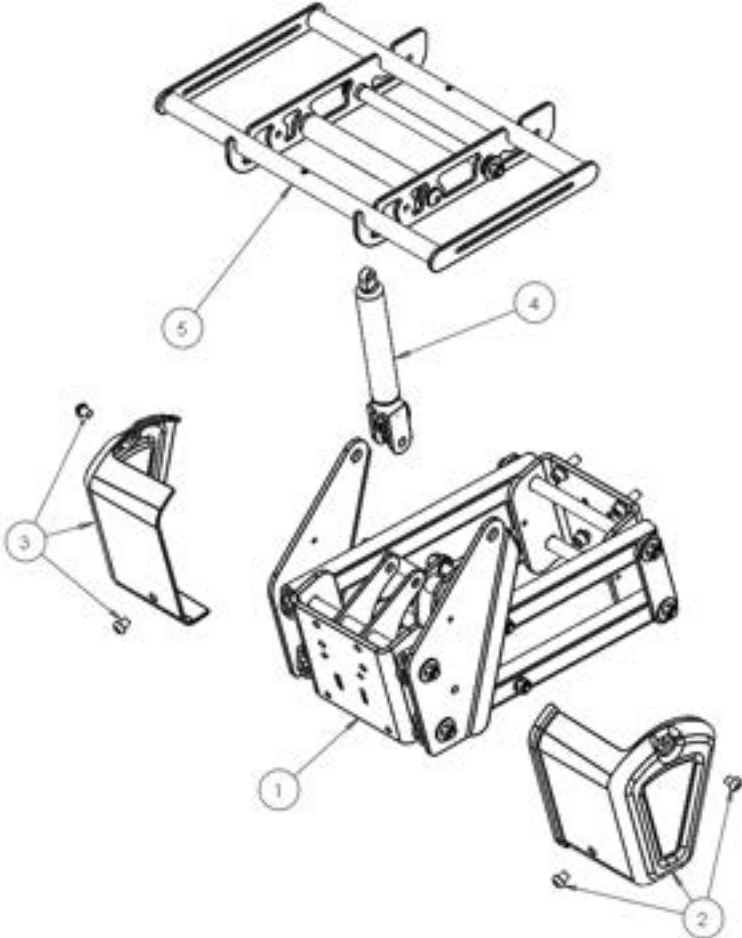
Pos.	Leckey Sales Code	Description	Seat Core Compatibility		
			Small	Medium	Large
1	133-2084	Front Castor Assy			●
2	IA19	Lock Pin			●
3	133-2085	Brake Assy LH			●
4	133-2086	Brake Assy RH			●
5	133-2087	Rear Wheel Assy			●
6	150-5276	Chassis Frame			●
7	133-2090	Rear Cover			●
8	150-5278	Lower Pushbar Assy			●
9	133-2092	Pushbar Clamp			●
10	150-52710	Cable			●
11	133-2093	Upper Pushbar			●
12	150-52712	Lever			●
13	150-52713	Power Packer			●
14	150-52714	Tube Pedal			●
Full Assembly	150-3770-G	Large Pump Action (Hydraulic) Outdoor High-Low Chassis including Push Handle			●

BeMe - Large Power Chassis



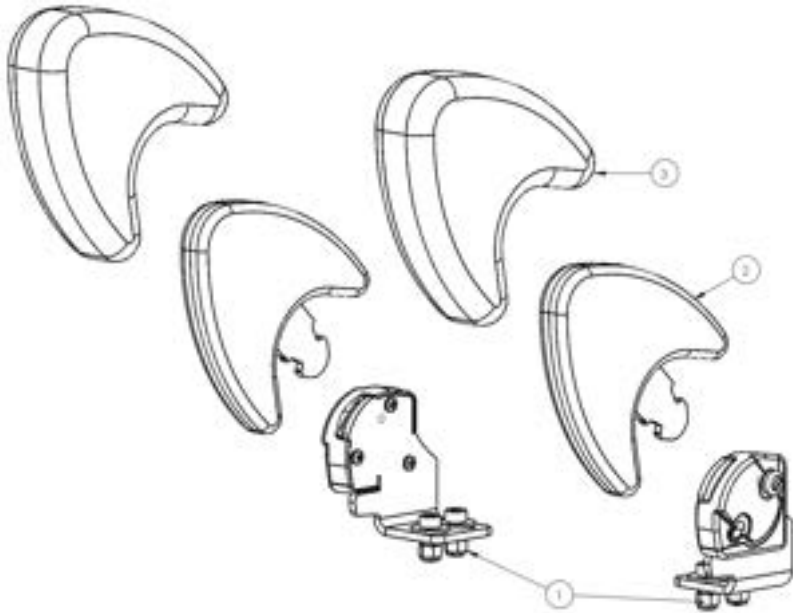
Pos.	Leckey Sales Code	Description	Seat Core Compatibility		
			Small	Medium	Large
1	133-2084	Front Castor Assy			●
2	IA19	Lock Pin			●
3	133-2085	Brake Assy LH			●
4	133-2086	Brake Assy RH			●
5	133-2087	Rear Wheel Assy			●
6	150-5276	Chassis Frame			●
7	150-5297	Power Assy			●
8	133-2090	Rear Cover			●
9	150-5278	Lower Pushbar Assy			●
10	133-2092	Pushbar Clamp			●
11	150-5295	Battery Box			●
12	133-2093	Upper Pushbar			●
Charger	SI124	Universal Battery Charge			●
Full Assembly	150-3780-G	Large Electric Outdoor High-Low Chassis including Push Handle			●

BeMe - Large Chassis Interface (150-3751)



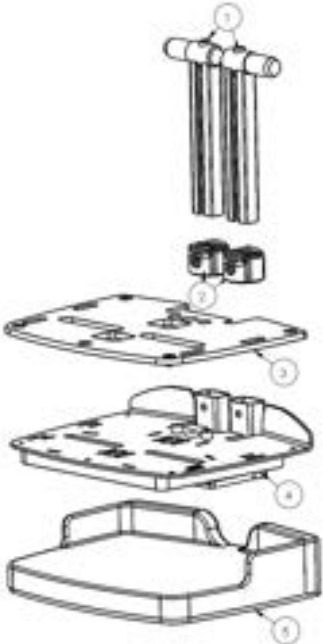
Pos.	Leckey Sales Code	Description	Seat Core Compatibility		
			Small	Medium	Large
1	150-5281	HiLo Hydraulic Assembly			●
2	133-2096	Front Cover LH			●
3	133-2097	Front Cover RH			●
4	150-5284	Gas Spring Assembly			●
5	150-5285	BeMe Interface			●
Full Assembly	150-3751	Large Chassis Interface			●

BeMe - Femoral Gables and Receivers



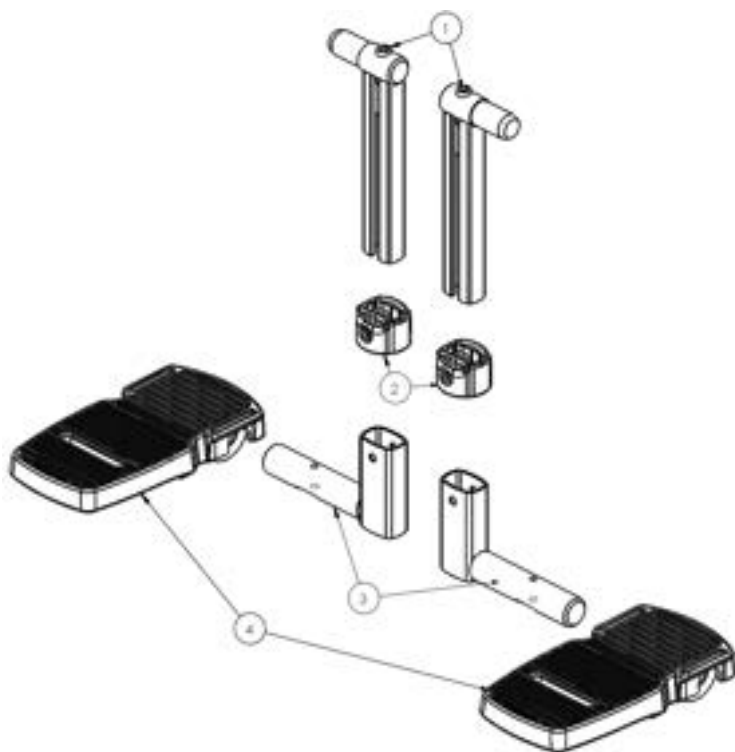
Pos.	Leckey Sales Code	Description	Seat Core Compatibility				
			Small	Medium	Medium-Long	Large	Large-Long
1	150-15142	GABLE RECEIVER PAIR (Small)	●				
1	150-25142	GABLE RECEIVER PAIR (Medium)		●	●		
1	150-34142	GABLE RECEIVER PAIR (Large)				●	●
2	150-1615	SINGLE FEMORAL GABLE (Small)	●	●	●	●	●
2	150-2615	SINGLE FEMORAL GABLE (Medium)	●	●	●	●	●
2	150-3615	SINGLE FEMORAL GABLE (Large)	●	●	●	●	●
2	150-4615	SINGLE FEMORAL GABLE (X-Large)	●	●	●	●	●
3	150-1862	SINGLE PADDED COVER FOR FEMORAL GABLE (Small)	●	●	●	●	●
3	150-2862	SINGLE PADDED COVER FOR FEMORAL GABLE (Medium)	●	●	●	●	●
3	150-3862	SINGLE PADDED COVER FOR FEMORAL GABLE (Large)	●	●	●	●	●
3	150-4862	SINGLE PADDED COVER FOR FEMORAL GABLE (X-Large)	●	●	●	●	●

BeMe - One-Piece Footplate



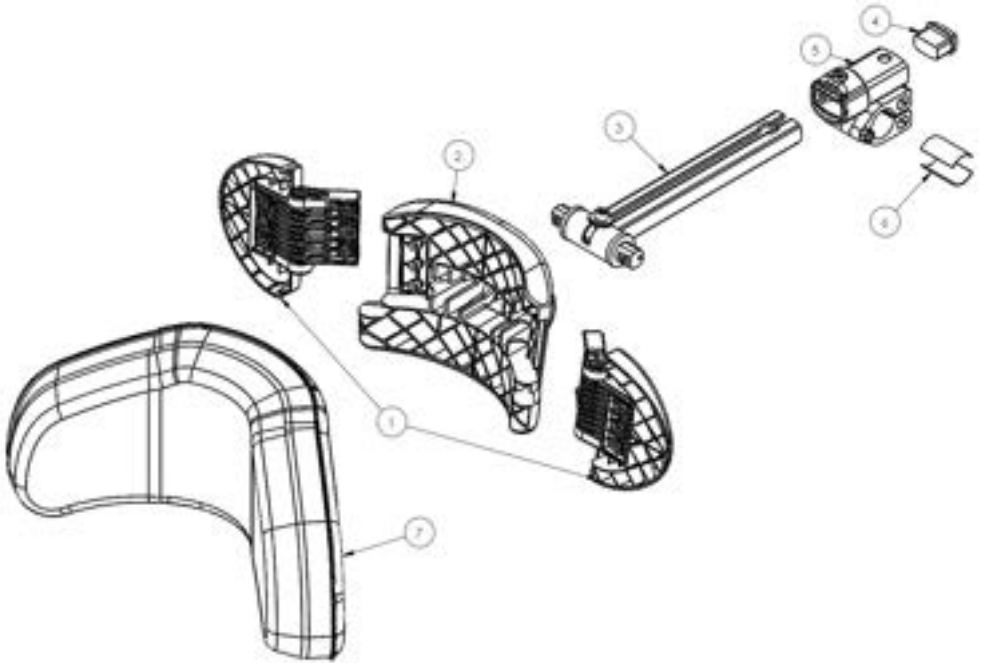
Pos.	Leckey Sales Code	Description
1	150-15121	Footplate Stem Pair (Small)
1	150-25121	Footplate Stem Pair (Medium)
1	150-35121	Footplate Stem Pair (Large)
2	150-5122	Stem Receiver Pair
3	150-15123	One-Piece Footplate Pu Topper Pair (Small)
3	150-25123	One-Piece Footplate Pu Topper Pair (Medium)
3	150-35123	One-Piece Footplate Pu Topper Pair (Large)
4	150-15124	One-Piece Footplate Base Plate (Small)
4	150-25124	One-Piece Footplate Base Plate (Medium)
4	150-35124	One-Piece Footplate Base Plate (Large)
5	150-1872	One-Piece Footplate Cover (Small)
5	150-2872	One-Piece Footplate Cover (Medium)
5	150-3872	One-Piece Footplate Cover (Large)
Full Assembly	150-1698	One Piece Footplate - Small
Full Assembly	150-2698	One Piece Footplate - Medium
Full Assembly	150-3698	One Piece Footplate - Large

BeMe - Split Footplate



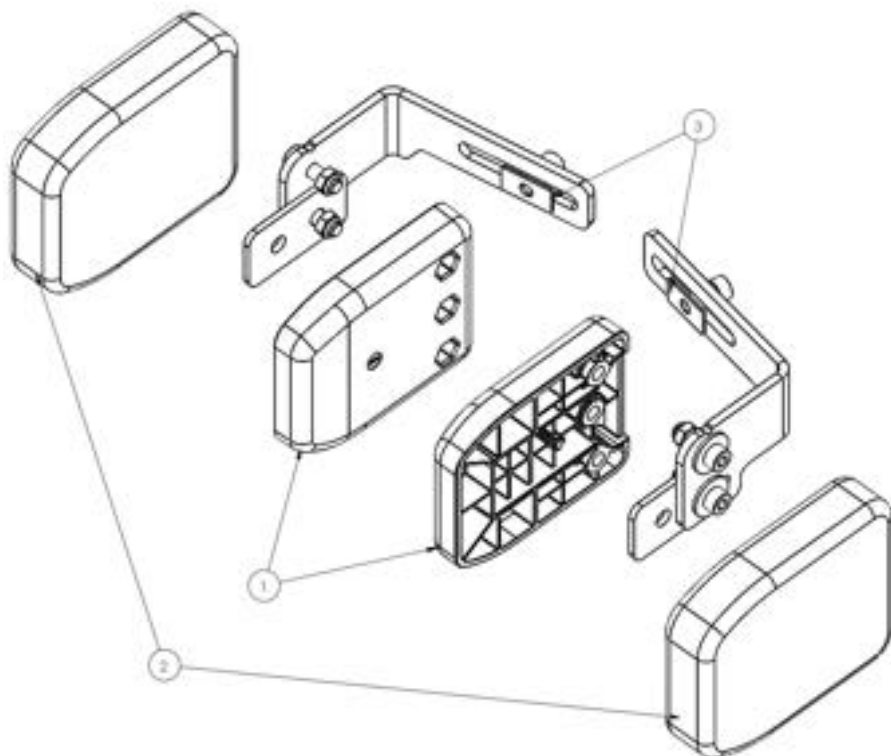
Pos.	Leckey Sales Code	Description
1	150-15121	FOOTPLATE STEM PAIR (Small)
1	150-25121	FOOTPLATE STEM PAIR (Medium)
1	150-35121	FOOTPLATE STEM PAIR (Large)
2	150-5122	STEM RECEIVER PAIR
3	150-15133	LOWER LEG SUPPORT PAIR (Small)
3	150-25133	LOWER LEG SUPPORT PAIR (Medium & Large)
4	150-5134	FOOTPLATE
Full Assembly	150-1689	Split Footplate Small (Left and Right)
Full Assembly	150-2689	Split Footplate Medium (Left and Right)
Full Assembly	150-3689	Split Footplate Large (Left and Right)

BeMe - Headrest



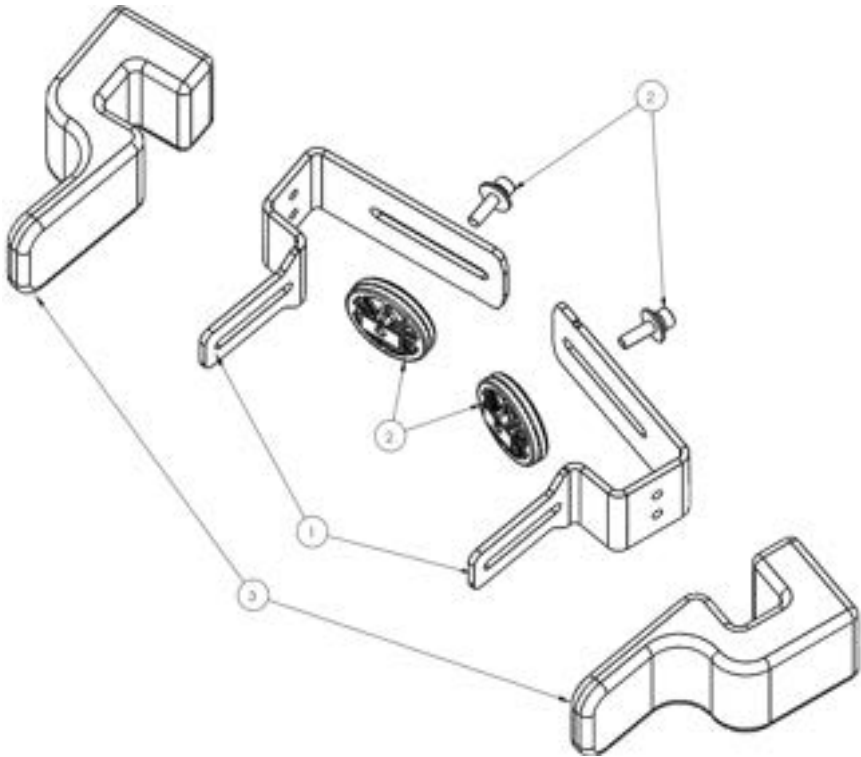
Pos.	Leckey Sales Code	Description	Seat Core Compatability			Colour			
			Small	Medium	Large	Blue	Purple	Grey	Red
1	150-5091	Headrest Wing Pair	●	●	●				
2	150-5092	Headrest Central Moulding	●	●	●				
3	150-5093	Headrest Bar	●	●	●				
4	150-5094	Headrest End Cap	●	●	●				
5	150-5095	Headrest Clamp	●	●	●				
6	150-5096	Headrest Clamp Rubber Strip	●	●	●				
Full Assembly	150-676	Beme Headrest (No Upholstery)	●	●	●				
Not Shown	150-781	Universal Headrest Bracket (Whitmyer Pro Or Leckey Headrests)	●	●	●				
7	150-855-XX	Headrest Cover	●	●	●	-02	-04	-08	-09

BeMe - Hip Guides



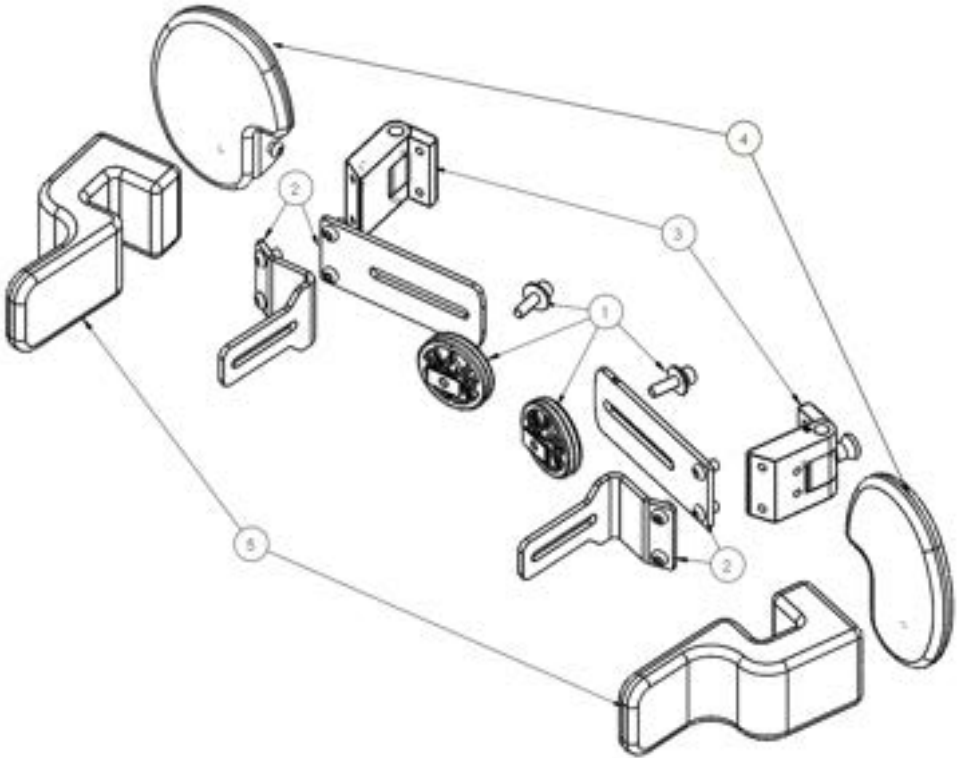
Pos.	Leckey Sales Code	Description
1	150-15081	Hip Guide Moulding (Small)
1	150-25081	Hip Guide Moulding (Medium)
1	150-35801	Hip Guide Moulding (Large)
2	150-15082	Hip Guide Cover (Small)
2	150-25082	Hip Guide Cover (Medium)
2	150-35082	Hip Guide Cover (Large)
3	150-15083	Hip Guide Bracket Pair (Small)
3	150-25083	Hip Guide Bracket Pair (Medium)
3	150-35083	Hip Guide Bracket Pair (Large)
Full Assembly	150-1684	Small Hip Guide (Pair)
Full Assembly	150-2684	Medium Hip Guide (Pair)
Full Assembly	150-3684	Large Hip Guide (Pair)

BeMe - Rigid Lateral Brackets



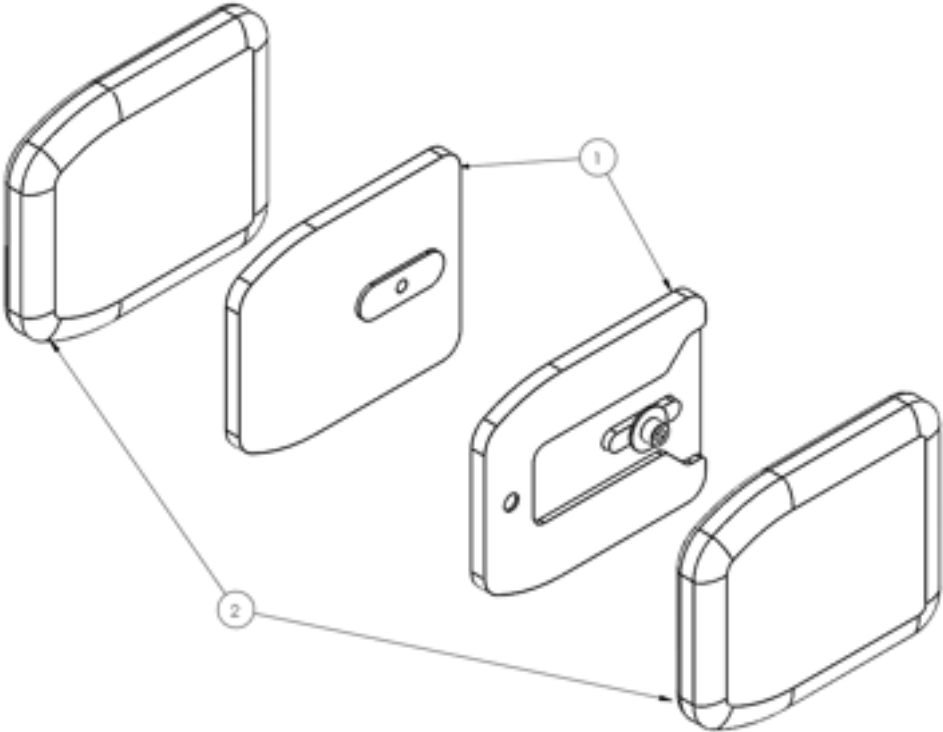
Pos.	Leckey Sales Code	Description	Backrest Compatibility		
			Small	Medium	Large
1	150-15061	Lateral Bracket (Small/Medium)	●	●	
1	150-35061	Lateral Bracket (Large)			●
2	150-15071	Angle Moulding	●	●	●
3	150-15062	Lateral Bracket Cover	●	●	●
Full Assembly	150-1651	Rigid Lateral Bracket For Size Small/Medium Backrests(Pair)	●	●	
Full Assembly	150-3651	Rigid Lateral Bracket For Large Backrests (Pair)			●
Not Shown	150-673	Lateral Protraction Pad	●	●	●
Not Shown	150-816	Protraction Pad Cover Only	●	●	●

BeMe - Flipaway Lateral Brackets



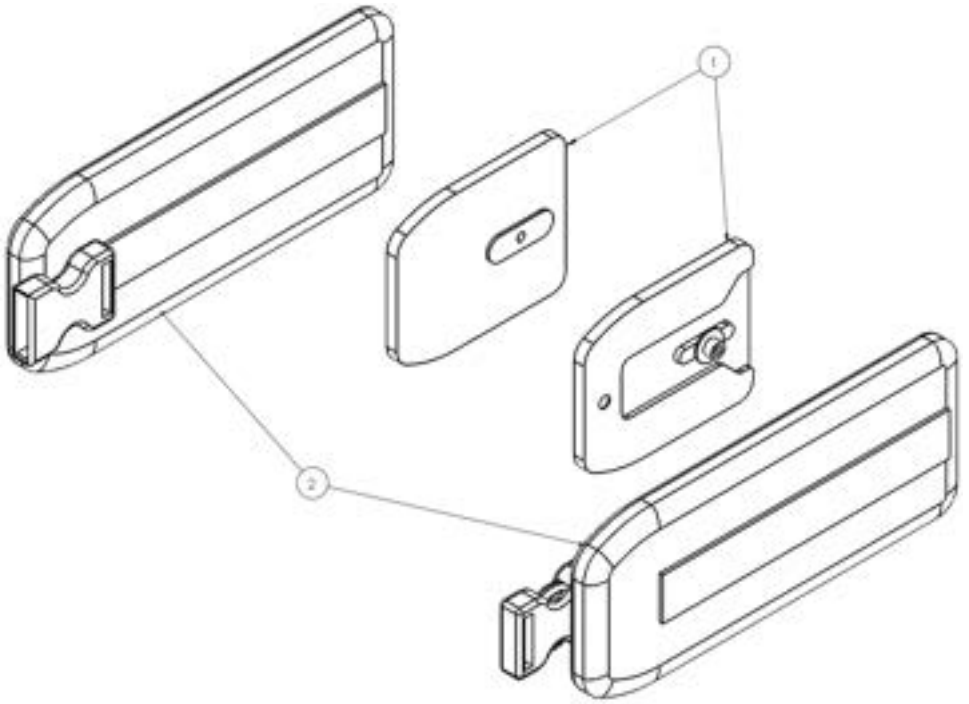
Pos.	Leckey Sales Code	Description	Backrest Compatibility		
			Small	Medium	Large
1	150-15071	Angle Moulding	●	●	●
2	150-15072	Flipaway Bracket Plates (Small/Medium)	●	●	
2	150-35072	Flipaway Bracket Plates (Large)			●
3	150-15073	Flipaway Mechanism	●	●	●
4	150-673	Lateral Protraction Pad	●	●	●
4	150-1850	Protraction Pad Cover Only	●	●	●
5	150-15062	Lateral Bracket Cover	●	●	●
Full Assembly	150-1655	FlipAway Lateral Bracket for Small/Medium Backrests (Pair)	●	●	
Full Assembly	150-3655	FlipAway Lateral Bracket for Large Backrests (Pair)			●

BeMe - Slim Lateral Pad



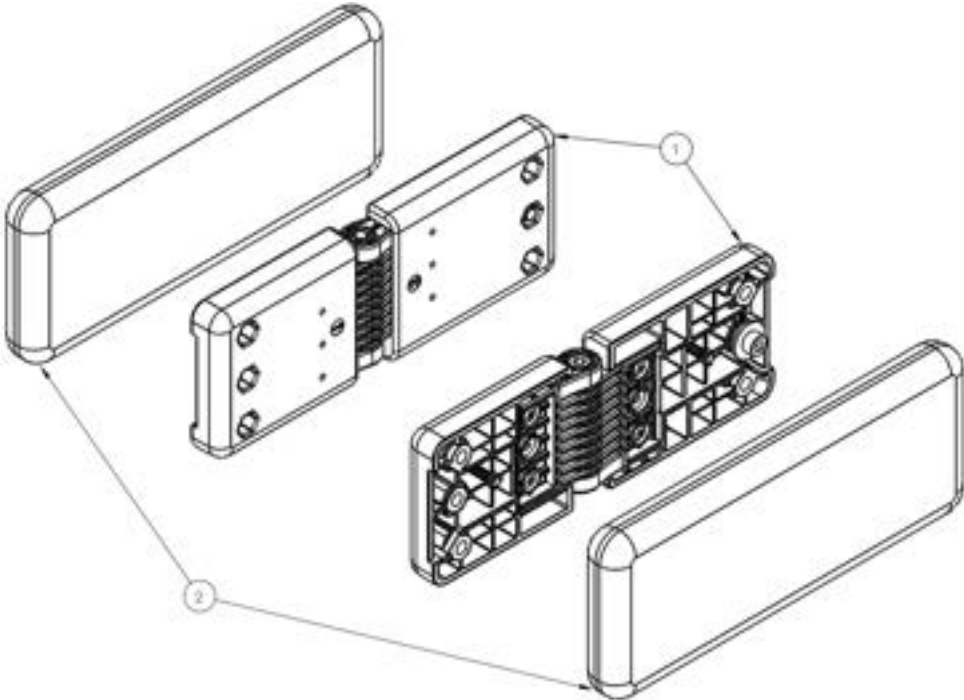
Pos.	Leckey Sales Code	Description
1	150-15041	Basic Slim Lateral Pad (Small)
1	150-25041	Basic Slim Lateral Pad (Medium)
1	150-35041	Basic Slim Lateral Pad (Large)
2	150-15042	Slim Lateral Cover (Small)
2	150-25042	Slim Lateral Cover (Medium)
2	150-35042	Slim Lateral Cover (Large)
Full Assembly	150-1675	Size 1 Slimline Lateral Pads (Pair)
Full Assembly	150-2675	Size 2 Slimline Lateral Pads (Pair)
Full Assembly	150-3675	Size 3 Slimline Lateral Pads (Pair)

BeMe - Wraparound Hugging Lateral Pads



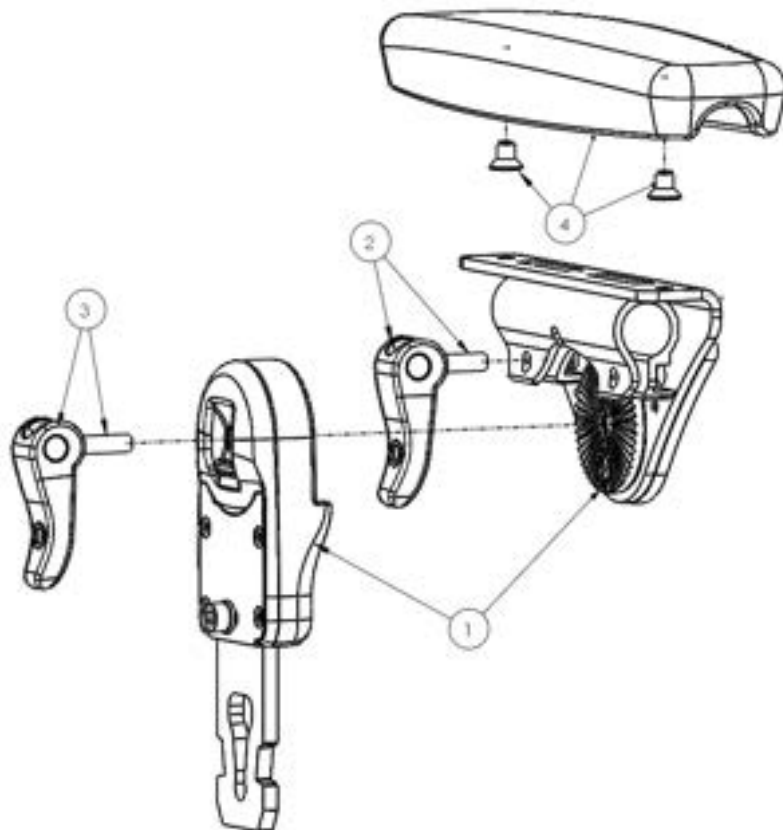
Pos.	Leckey Sales Code	Description
1	150-15041	Basic Slim Lateral Pad (Small)
2	150-15302	Flexi Lateral Cover (Small)
2	150-25302	Flexi Lateral Cover (Medium)
Full Assembly	150-1260	Small Wraparound Hugging Lateral Pads (Pair)
Full Assembly	150-2260	Medium Wraparound Hugging Lateral Pads (Pair)

BeMe - Hinged Lateral Pad



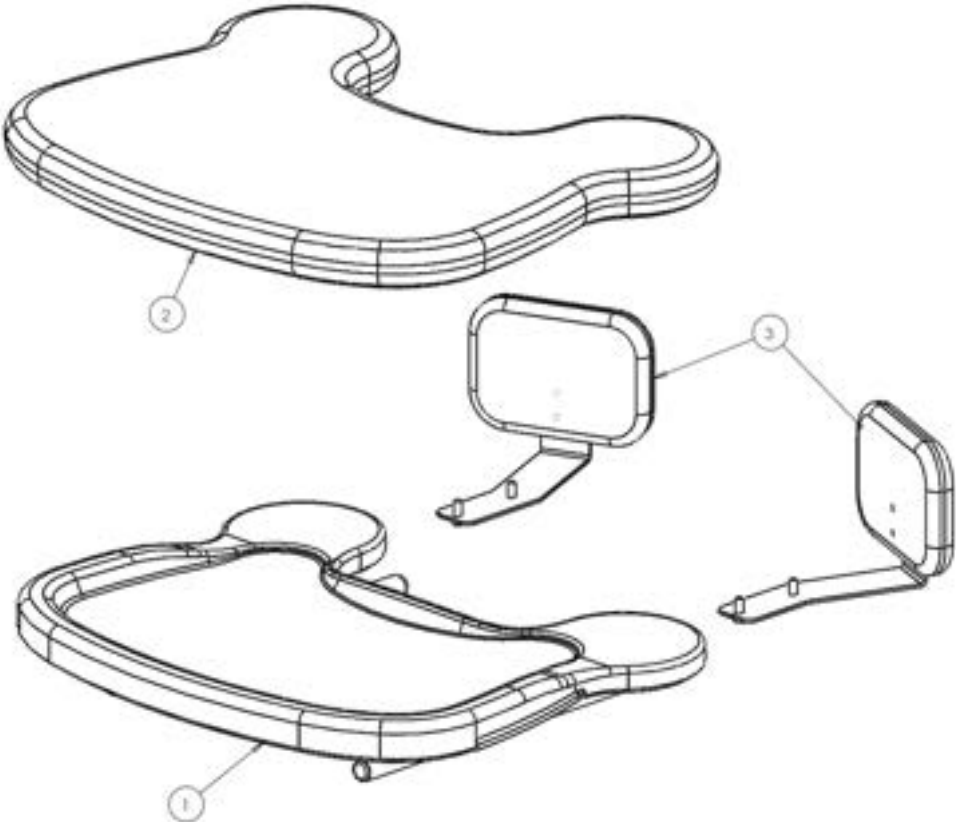
Pos.	Leckey Sales Code	Description
1	150-15051	Hinged Lateral Pad (Small/Medium)
1	150-35051	Hinged Lateral Pad (Large)
2	150-15052	Hinged Lateral Pad Cover (Small/Medium)
2	150-35052	Hinged Lateral Pad Cover (Large)
Full Assembly	150-1653	Hinged Lateral Pad Small (Pair)
Full Assembly	150-3653	Hinged Lateral Pad Large (Pair)

BeMe - Armrest



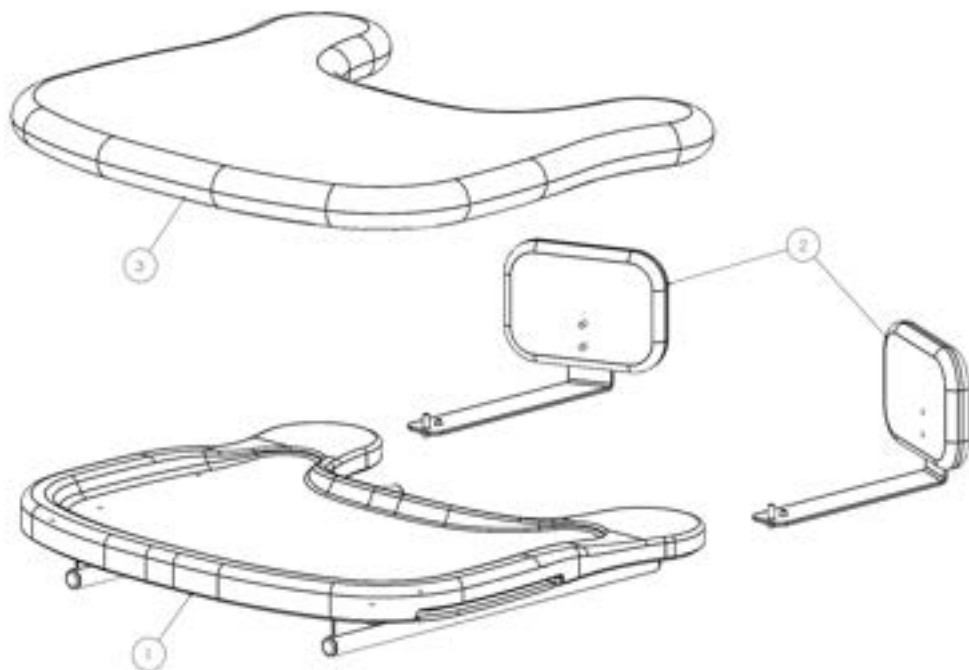
Pos.	Leckey Sales Code	Description
1	150-15201	Tray Receiver And Stem (Small)
1	150-25201	Tray Receiver And Stem (Large)
2	150-15202	Tray Receiver Camlock
3	150-15203	Stem Camlock Assembly
4	150-15204	Armrest Pu (Small)
4	150-25204	Armrest Pu (Large)
Full Assembly	150-1642	Small Armrest
Full Assembly	150-2642	Large Armrest

BeMe - Size 1 Tray



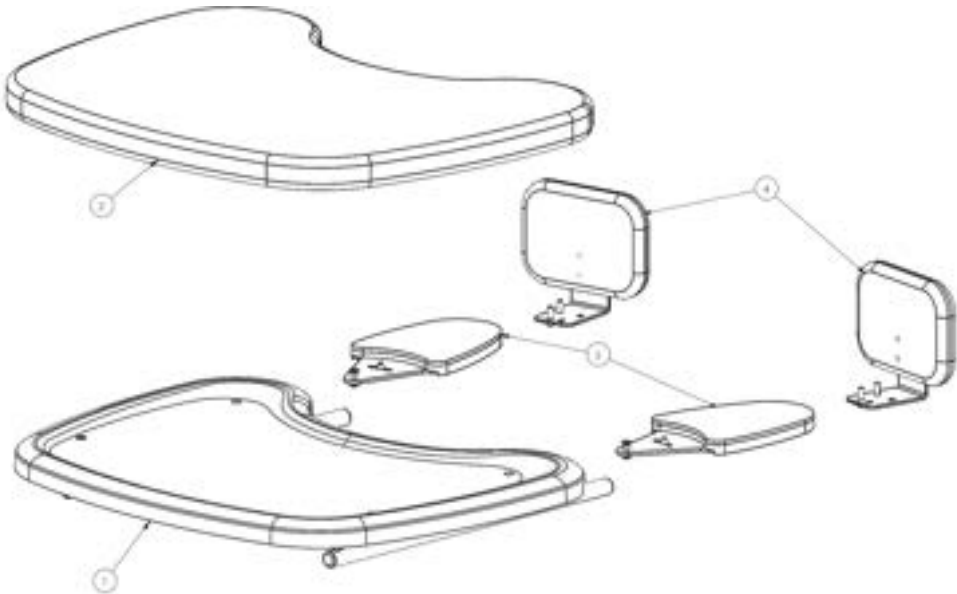
Pos.	Leckey Sales Code	Description	Compatible With		
			Small	Medium	Large
1	150-1720	Tray (Small)	●		
2	150-1888	Padded Tray Cover (Small)	●		
3	150-1671	Tray Elbow Blockers (Small)	●		

BeMe - Size 2 Tray



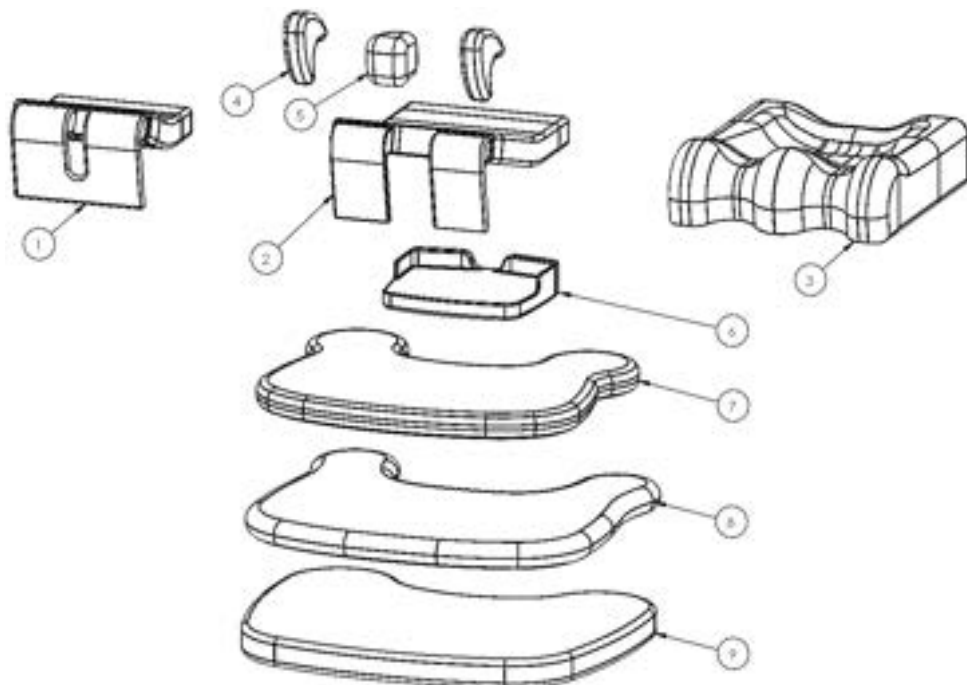
Pos.	Leckey Sales Code	Description	Compatible With		
			Small	Medium	Large
1	150-2720	Tray (Medium)		●	
2	117-641	Tray Elbow Blockers (Medium)		●	
3	150-2888	Padded Tray Cover (Medium)		●	

BeMe - Size 3 Tray



Pos.	Leckey Sales Code	Description	Compatible With		
			Small	Medium	Large
1	150-35031	Tray (Large)			●
2	150-3888	Padded Tray Cover (Large)			●
3	150-35033	Elbow Pad (Large)			●
4	150-3671	Tray Elbow Blockers (Large)			●
Full Assembly	150-3720	Large Tray (No Cover Or Elbow Blockers)			●

BeMe - Upholstery

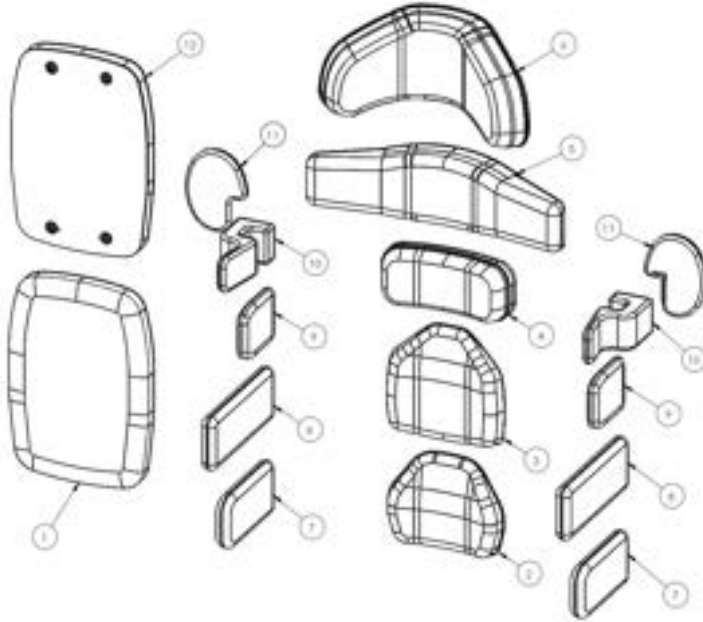


Pos.	Leckey Sales Code	Description	Seat Core Compaibility					Colour			
			Small	Medium	Medium-Long	Large	Large-Long	Blue	Purple	Grey	Red
1	150-1840-XX	Basic Seat Cover With Stretch Foam (Small)	●					-02	-04	-08	-09
1	150-2840-XX	Basic Seat Cover With Stretch Foam (Medium)		●				-02	-04	-08	-09
1	150-3840-XX	Basic Seat Cover With Stretch Foam (Large)				●		-02	-04	-08	-09
1	150-4840-XX	Basic Seat Cover With Stretch Foam (Medium-Long)			●			-02	-04	-08	-09
1	150-5840-XX	Basic Seat Cover With Stretch Foam (Large-Long)					●	-02	-04	-08	-09
2	150-2850-XX	Split Seat Cover With Stretch Foam (Medium)		●				-02	-04	-08	-09
2	150-3850-XX	Split Seat Cover With Stretch Foam (Large)				●		-02	-04	-08	-09
2	150-4850-XX	Split Seat Cover With Stretch Foam (Medium-Long)			●			-02	-04	-08	-09
2	150-5850-XX	Split Seat Cover With Stretch Foam (Large-Long)					●	-02	-04	-08	-09

BeMe - Upholstery

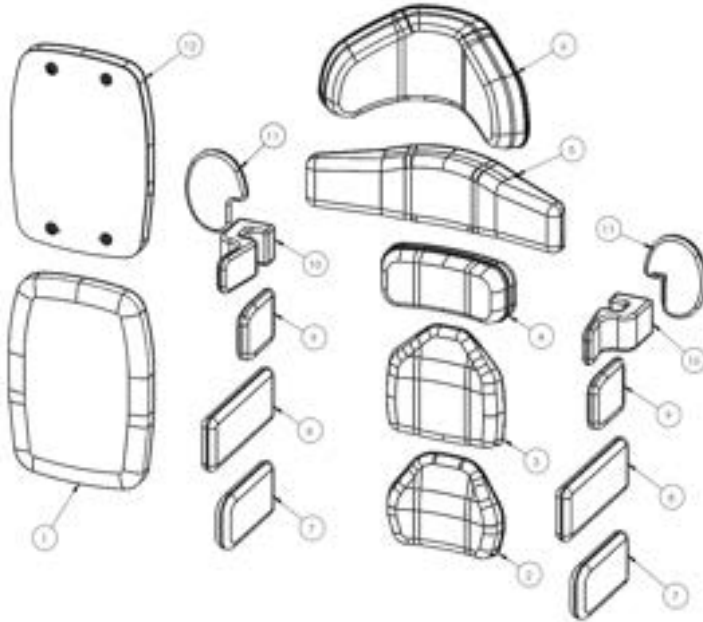
Pos.	Lecley Sales Code	Description	Seat Core Compatibility					Colour			
			Small	Medium	Medium-Long	Large	Large-Long	Blue	Purple	Grey	Red
3	150-1860-XX	Contoured Seat Cover With Stretch Foam (Small)	●					-02	-04	-08	-09
3	150-2860-XX	Contoured Seat Cover With Stretch Foam (Medium)		●				-02	-04	-08	-09
3	150-3860-XX	Contoured Seat Cover With Stretch Foam (Large)				●		-02	-04	-08	-09
3	150-4860-XX	Contoured Seat Cover With Stretch Foam (Medium-Long)			●			-02	-04	-08	-09
3	150-5860-XX	Contoured Seat Cover With Stretch Foam (Large-Long)					●	-02	-04	-08	-09
4	150-1862	Single Padded Cover For Femoral Gable (Small)	●								
4	150-2862	Single Padded Cover For Femoral Gable (Medium)		●	●						
4	150-3862	Single Padded Cover For Femoral Gable (Large)				●	●				
4	150-4862	Single Padded Cover For Femoral Gable (X-Large)				●	●				
5	150-1864	Pommel Cover (Small)	●								
5	150-2864	Pommel Cover (Medium)		●	●						
5	150-3864	Pommel Cover (Large)				●	●				
6	150-1872	One-Piece Footplate Cover (Small)	●								
6	150-2872	One-Piece Footplate Cover (Medium)		●	●						
6	150-3872	One-Piece Footplate Cover (Large)				●	●				
7	150-1888	Padded Tray Cover (Small)	●								
8	150-2888	Padded Tray Cover (Medium)		●	●						
9	150-3888	Padded Tray Cover (Large)				●	●				

BeMe - Upholstery



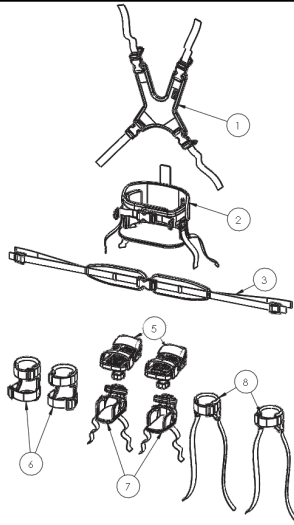
Pos.	Lecley Sales Code	Description	Seat Core Compatibility			Colour			
			Small	Medium	Large	Blue	Purple	Grey	Red
1	150-1870-XX	Basic Backrest Cover (Small)	●			-02	-04	-08	-09
1	150-2870-XX	Basic Backrest Cover (Medium)		●		-02	-04	-08	-09
1	150-3870-XX	Basic Backrest Cover (Large)			●	-02	-04	-08	-09
2	150-152111-XX	Sacral Cover (Small)	●			-02	-04	-08	-09
2	150-252111-XX	Sacral Cover (Medium)		●		-02	-04	-08	-09
2	150-352111-XX	Sacral Cover (Large)			●	-02	-04	-08	-09
3	150-152112-XX	Thoracic Cover (Small)	●			-02	-04	-08	-09
3	150-252112-XX	Thoracic Cover (Medium)		●		-02	-04	-08	-09
3	150-352112-XX	Thoracic Cover (Large)			●	-02	-04	-08	-09
4	150-152113-XX	Shoulder Cover (Small)	●			-02	-04	-08	-09
4	150-252113-XX	Shoulder Cover (Medium)		●		-02	-04	-08	-09
4	150-352113-XX	Shoulder Cover (Large)			●	-02	-04	-08	-09
5	150-252113-XX	Shoulder Wing Upgrade Cover (Medium)		●		-02	-04	-08	-09
5	150-352113-XX	Shoulder Wing Upgrade Cover (Large)			●	-02	-04	-08	-09

BeMe - Upholstery



Pos.	Leckey Sales Code	Description	Accessory Compatability			Colour			
			Small	Medium	Large	Blue	Purple	Grey	Red
6	150-855-XX	HEADREST COVER				-02	-04	-08	-09
7	150-15082	HIP GUIDE COVER (Small)	•						
7	150-25082	HIP GUIDE COVER (Medium)		•					
7	150-35082	HIP GUIDE COVER (Large)			•				
8	150-15052	COMPLEX LATERAL COVER (Small/Medium)	•	•					
8	150-35052	COMPLEX LATERAL COVER (Large)			•				
9	150-15042	SLIM LATERAL COVER (Small)	•						
9	150-25042	SLIM LATERAL COVER (Medium)		•					
9	150-35042	SLIM LATERAL COVER (Large)			•				
10	150-15062	LATERAL BRACKET COVER	•	•	•				
11	150-673	LATERAL PROTRACTION PAD	•	•	•				
11	150-1850	PROTRACTION PAD COVER ONLY	•	•	•				
12	150-150010	BASIC BACKREST FOAM (Small)	•						
12	150-250010	BASIC BACKREST FOAM (Medium)		•					
12	150-350010	BASIC BACKREST FOAM (Large)			•				

BeMe - Upholstery



Pos.	Leckey Sales Code	Description
1	155-N001-L600	Butterfly Harness (Small)
1	155-N001-L601	Butterfly Harness (Medium)
1	155-N001-L602	Butterfly Harness (Large)
1	155-N001-L603	Butterfly Harness (X-Large)
2	117-476	Pelvic Cradle (Size 2)
2	117-477	Pelvic Cradle (Size 3)
2	117-478	Pelvic Cradle (Size 4)
2	117-479	Pelvic Cradle (Size 5)
2	117-480	Pelvic Cradle (Size 6)
3	150-1844	4 point belt (Size 1)
3	150-2844	4 point belt (Size 2)
3	150-3844	4 point belt (Size 3)
3	150-4844	4 point belt (Size 4)
5	152-1600	Sandals (Small)
5	152-2600	Sandals (Medium)
5	152-3600	Sandals (Large)
6	AH01	Ankle Huggers
7	150-1852	Booties (X-Small)
8	173-2305	Small Ankle Wraps (Only with Sandals)
8	173-3305	Large Ankle Wraps (Only with Sandals)



James Leckey Design Limited
19 Ballinderry Road
Lisburn BT28 2SA
Northern Ireland

(+44) 28 9260 0750
hello@leckey.com

LS1166-01

leckey.com



James Leckey Design Limited has made every effort to ensure that the information contained in this document is accurate and up to date. At the time of going to print, the information presented is accurate to the best of the company's knowledge. James Leckey Design Limited however, cannot accept responsibility for changes to product information after going to print. Date of preparation October 2021